





***MEATON***

■ UNDERMOUNT SLIDE

# UNDERMOUNT SLIDE

DY2201 & DY4201

2-Fold concealed **soft-closing** drawer slide(16/19mm with bolt locking)

**C.6**



DY2221 & DY4221

2-Fold concealed **soft-closing** drawer slide(16/19mm with bolt locking)

**C.8**



DY2246 & DY4246

7/8 Extension concealed **soft-closing** drawer slide(16/19mm with bolt locking)

**C.10**



DY2331 & DY4331

2-Fold concealed **soft-closing** drawer slide(16/19mm with handle)

**C.12**



DY2346 & DY4346

7/8 Extension concealed **soft-closing** drawer slide(16/19mm with handle)

**C.14**



DY2341 & DY4341

2-Fold concealed **soft-closing** drawer slide(16/19mm with handle)

**C.16**



DY3201 & DH3201(Synchronized)

3-Fold concealed **soft-closing** drawer slide(16mm with bolt locking)

**C.18**



DY5201 & DH5201(Synchronized)

3-Fold concealed **soft-closing** drawer slide(19mm with bolt locking)

**C.20**



DY3221 & DH3221(Synchronized)

3-Fold concealed **soft-closing** drawer slide(16mm with bolt locking)

**C.22**



**C.2 - Undermount Slide**

---

DY5221 & DH5221(Synchronized)

3-Fold concealed **soft-closing** drawer slide(19mm with bolt locking)

**C.24**

---



DY3331 & DH3331(Synchronized)

3-Fold concealed **soft-closing** drawer slide(16mm with handle)

**C.26**

---



DY5331 & DH5331(Synchronized)

3-Fold concealed **soft-closing** drawer slide(19mm with handle)

**C.28**

---



DY3341 & DH3341(Synchronized)

3-Fold concealed **soft-closing** drawer slide(16mm with handle)

**C.30**

---



DY5341 & DH5341(Synchronized)

3-Fold concealed **soft-closing** drawer slide(19mm with handle)

**C.32**

---



DY3326

3-Fold concealed **soft-closing** drawer slide(16mm with handle) - American type

**C.34**

---



DY5326

3-Fold concealed **soft-closing** drawer slide(19mm with handle) - American type

**C.36**

---



DY6201

2-Fold light concealed **soft-closing** drawer slide(16mm with bolt locking)

**C.38**

---



DY6331

2-Fold light concealed **soft-closing** drawer slide(16mm with handle)

**C.40**

---



DH3320

Full extension synchronized **soft-close** with handle

**C.42**

---



# UNDERMOUNT SLIDE

DP2201 & DP4201

2-Fold concealed push-open drawer slide(16/19mm with bolt locking)

C.44



DP2221 & DP4221

2-Fold concealed push-open drawer slide(16/19mm with bolt locking)

C.46



DP2331 & DP4331

2-Fold concealed push-open drawer slide(16/19mm with handle)

C.48



DP2341 & DP4341

2-Fold concealed push-open drawer slide(16/19mm with handle)

C.50



DP3201 & DT3201(Synchronized)

3-Fold concealed push-open drawer slide(16mm with bolt locking)

C.52



DP5201 & DT5201(Synchronized)

3-Fold concealed push-open drawer slide(19mm with bolt locking)

C.54



DP3221 & DT3221(Synchronized)

3-Fold concealed push-open drawer slide(16mm with bolt locking)

C.56



DP5221 & DT5221(Synchronized)

3-Fold concealed push-open drawer slide(19mm with bolt locking)

C.58



DP3331 & DT3331(Synchronized)

3-Fold concealed push-open drawer slide(16mm with handle)

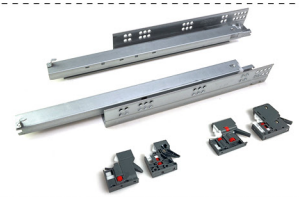
C.60



DP5331 & DT5331(Synchronized)

3-Fold concealed push-open drawer slide(19mm with handle)

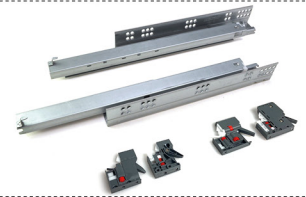
C.62



DP3341 & DT3341(Synchronized)

3-Fold concealed push-open drawer slide(16mm with handle)

C.64



DP5341 & DT5341(Synchronized)

3-Fold concealed push-open drawer slide(19mm with handle)

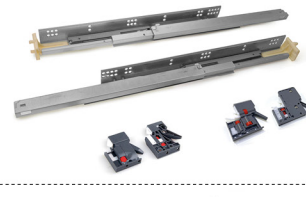
C.66



DP3326

3-Fold concealed push-open drawer slide(16mm with handle) - American type

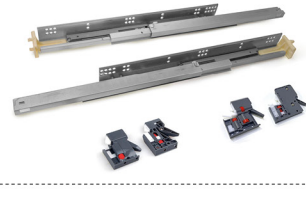
C.68



DP5326

3-Fold concealed push-open drawer slide(16mm with handle) - American type

C.70



DP6201

2-Fold light concealed push-open drawer slide(16mm with bolt locking)

C.72



DP6331

2-Fold light concealed push-open drawer slide(16mm with handle)

C.74



DG3325 & DG5325

3-Fold soft-closing & push-open 2 in 1 undermount slide(16/19mm with handle)

C.76



# SOFT - CLOSING

## DY2201 & DY4201

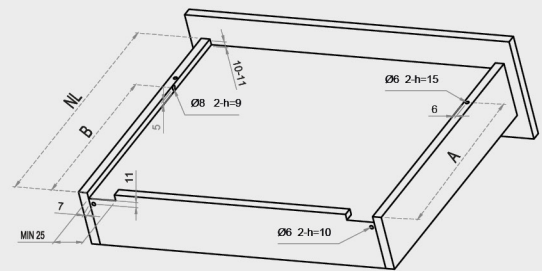
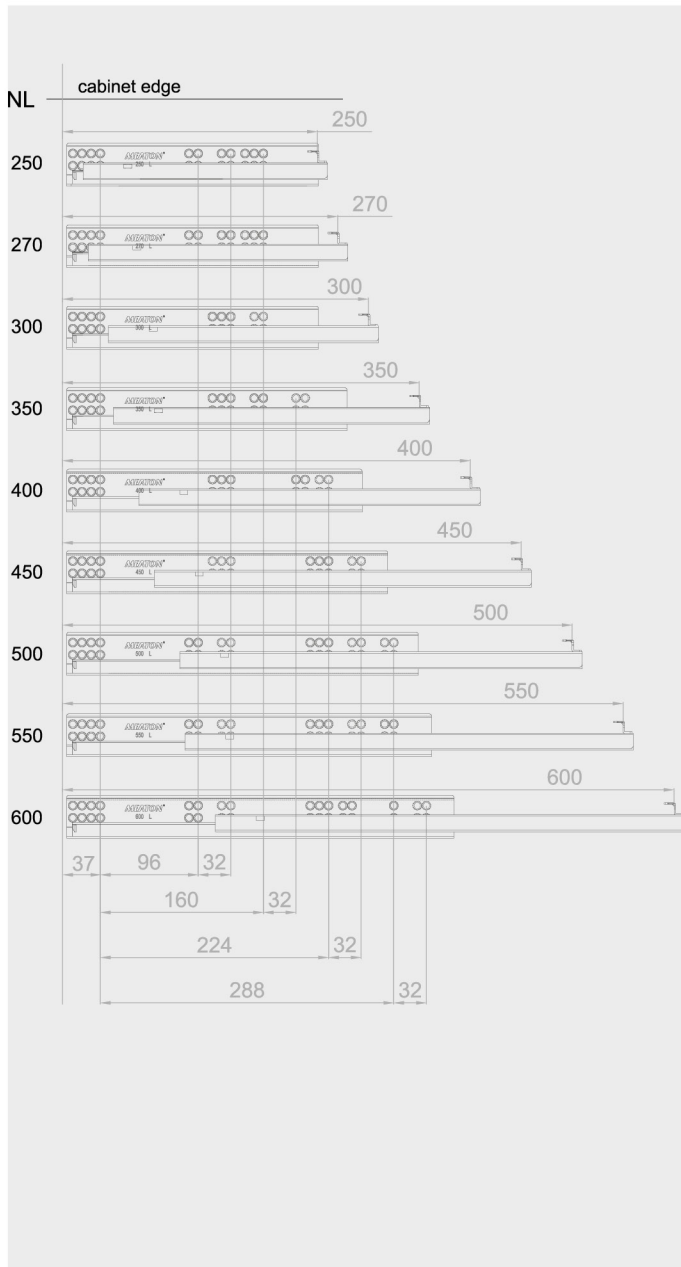
2-Fold concealed drawer slide(with bolt locking)



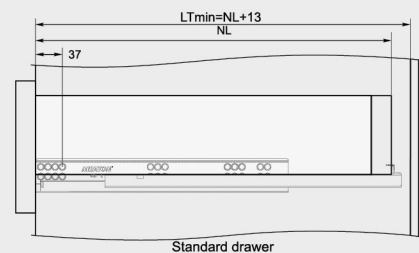
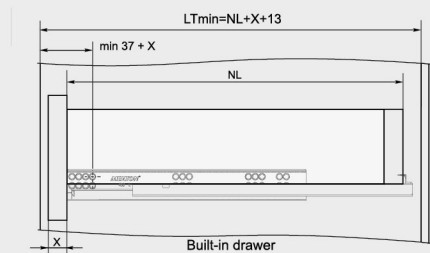
### Technical specifications:

- Main material: galvanized sheet.
- Max loading capacity: 25kg.
- Life guarantee: 80,000 cycles.
- Thickness of board: DY2201: ≤16mm  
DY4201: ≤19mm
- Adjustable opening and closing strength: +25%

### Installation dimensions



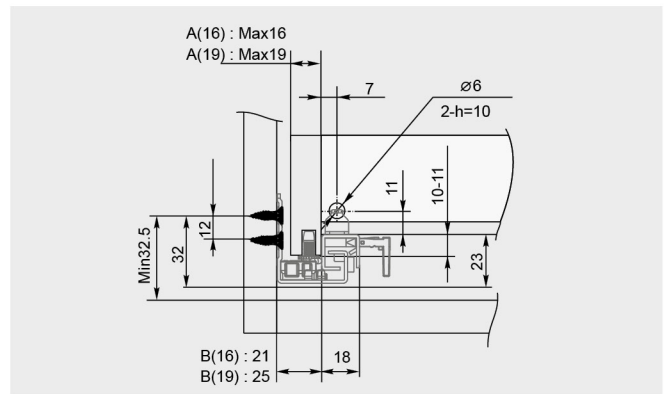
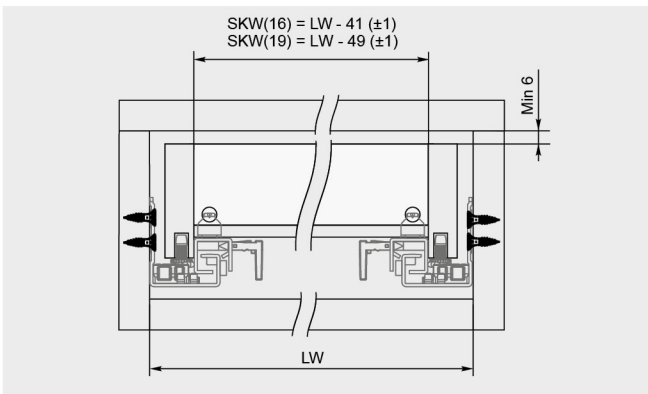
NL	250	270	300	350	400	450	500	550	600
A	206	221	231	276	301	336	361	406	426
B	186	201	211	256	281	316	341	386	406



LT - Cabinet inner depth  
 NL - Nominal slide length  
 X - Board thickness



## 2-Fold concealed **soft-closing** drawer slide(with bolt locking)

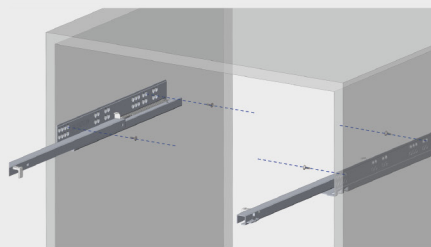


LW - Cabinet inner width  
SKW(16) - Drawer inner width(≤16mm drawer side thickness)  
SKW(19) - Drawer inner width(≤19mm drawer side thickness)

A(16) Be used for slide rails with a drawer side thickness no thinner than 16mm.  
A(19) thickness no thinner than 19mm.  
-----  
B(16) Be used for slide rails with a drawer side thickness no thinner than 16mm.  
B(19) thickness no thinner than 19mm.

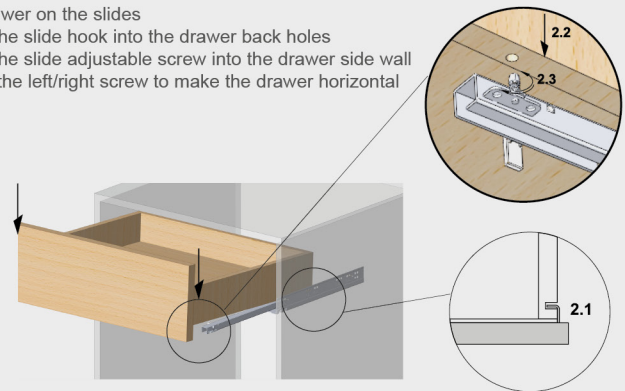
### Installation

#### 1. Install the slides on the cabinet



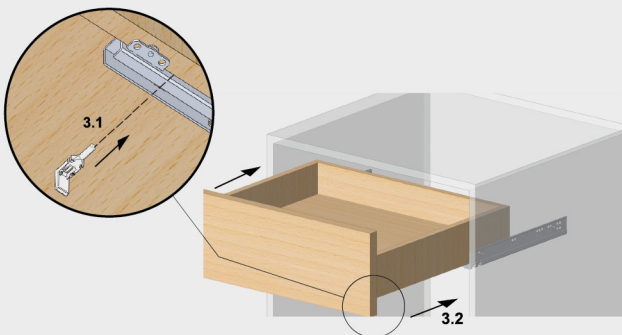
#### 2. Set the drawer on the slides

- 2.1 Insert the slide hook into the drawer back holes
- 2.2 Insert the slide adjustable screw into the drawer side wall
- 2.3 Adjust the left/right screw to make the drawer horizontal



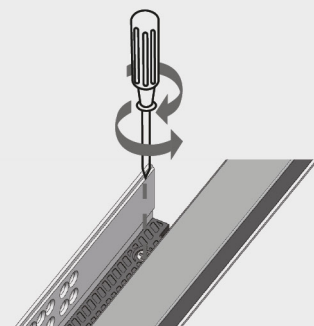
#### 3. Fix the drawer and slides

- 3.1 insert the left/right plastic pins into the pre-drilled holes on the drawer side walls
- 3.2 Close the drawer



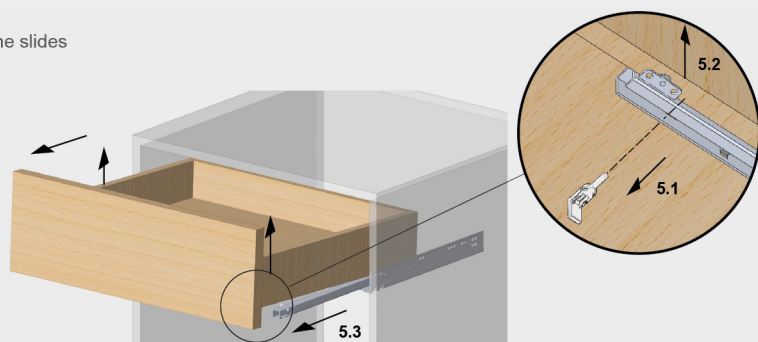
#### 4. Adjustable opening and closing mechanism:

When the drawer takes more than 20kg, adjust the eccentric screw on the damper, max 25% more strength will be applied, so that make the movement smooth.



#### 5. Disassembly of the drawer

- 5.1 Take out the plastic pin to separate the drawer from the slides
- 5.2 Take up the drawer
- 5.3 Draw out the drawer





# SOFT - CLOSING

## DY2221 & DY4221

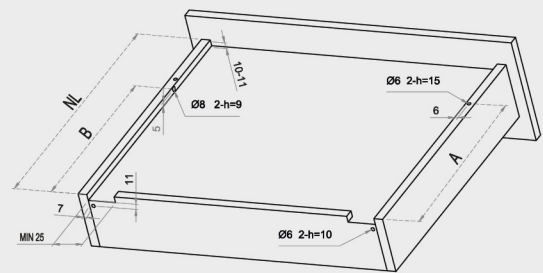
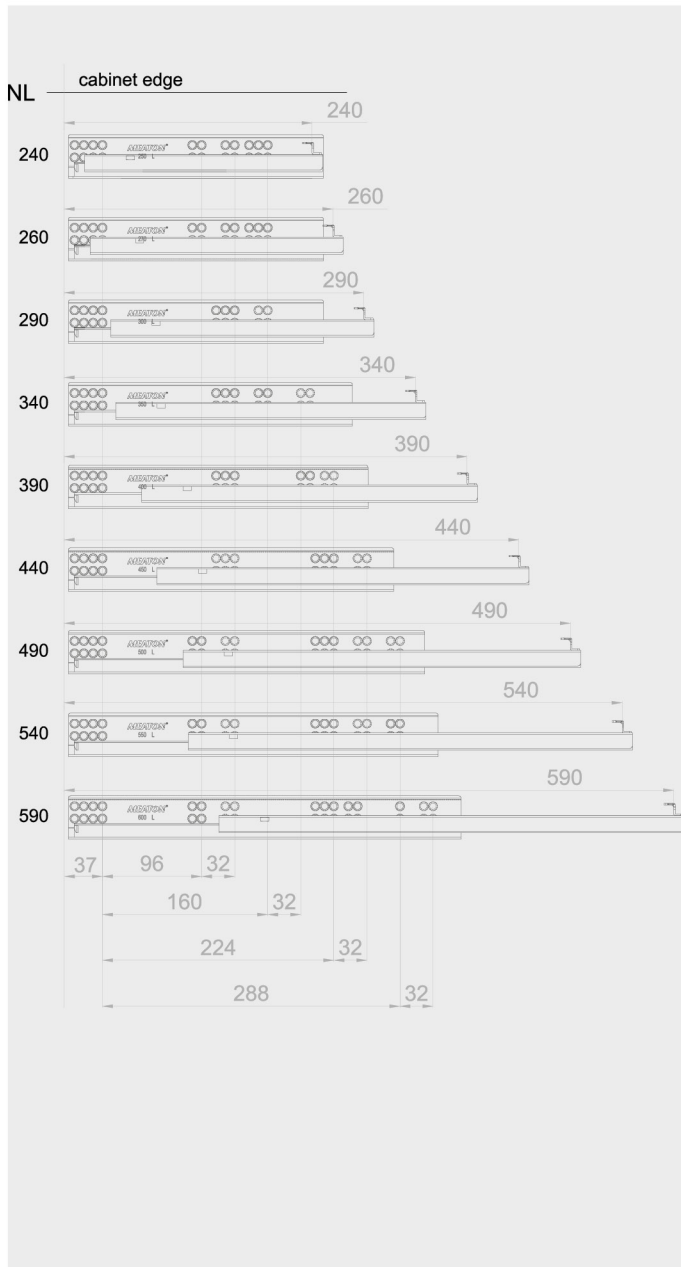
### 2-Fold concealed drawer slide(with bolt locking)



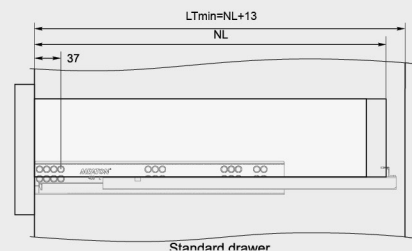
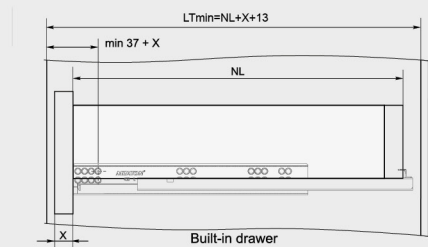
#### Technical specifications:

- Main material: galvanized sheet.
- Max loading capacity: 25kg.
- Life guarantee: 80,000 cycles.
- Thickness of board: DY2221: ≤16mm  
DY4221: ≤19mm
- Adjustable opening and closing strength: +25%

#### Installation dimensions

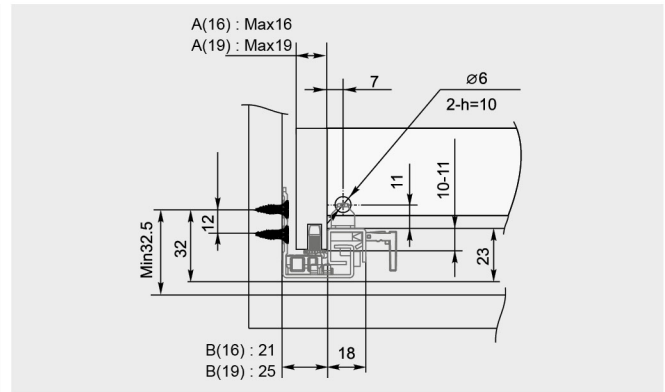
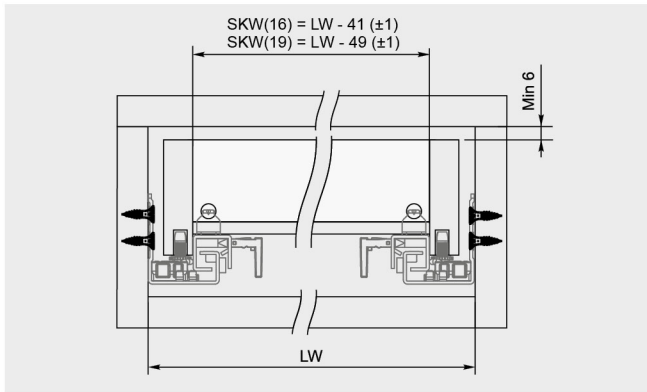


NL	240	260	290	340	390	440	490	540	590
A	220	230	245	270	305	330	355	390	415
B	188	198	213	238	273	298	323	358	383



LT - Cabinet inner depth  
 NL - Nominal slide length  
 X - Board thickness

## 2-Fold concealed **soft-closing** drawer slide(with bolt locking)

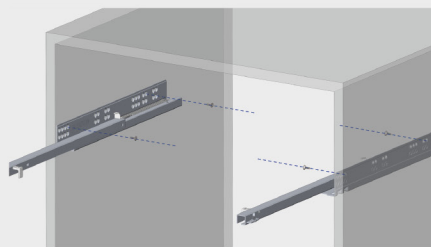


LW - Cabinet inner width  
SKW(16) - Drawer inner width(≤16mm drawer side thickness)  
SKW(19) - Drawer inner width(≤19mm drawer side thickness)

A(16) Be used for slide rails with a drawer side  
A(19) thickness no thinner than 16mm.  
-----  
B(16) Be used for slide rails with a drawer side  
B(19) thickness no thinner than 19mm.

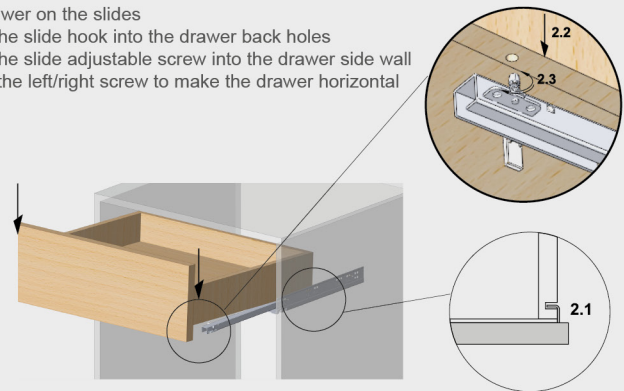
### Installation

#### 1. Install the slides on the cabinet



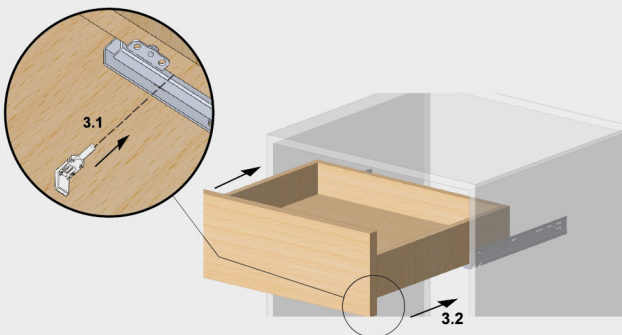
#### 2. Set the drawer on the slides

- 2.1 Insert the slide hook into the drawer back holes
- 2.2 Insert the slide adjustable screw into the drawer side wall
- 2.3 Adjust the left/right screw to make the drawer horizontal



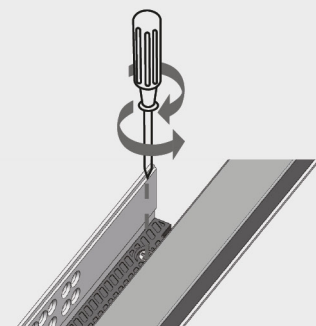
#### 3. Fix the drawer and slides

- 3.1 insert the left/right plastic pins into the pre-drilled holes on the drawer side walls
- 3.2 Close the drawer



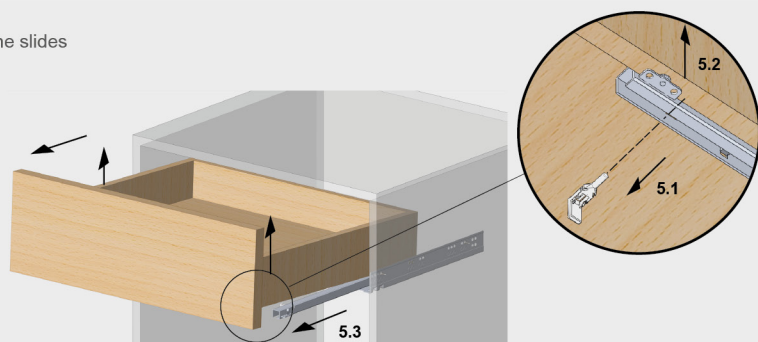
#### 4. Adjustable opening and closing mechanism:

When the drawer takes more than 20kg, adjust the eccentric screw on the damper, max 25% more strength will be applied, so that make the movement smooth.



#### 5. Disassembly of the drawer

- 5.1 Take out the plastic pin to separate the drawer from the slides
- 5.2 Take up the drawer
- 5.3 Draw out the drawer



# SOFT - CLOSING

## DY2246 & DY4246

### 7/8 Extension concealed drawer slide(with bolt locking)



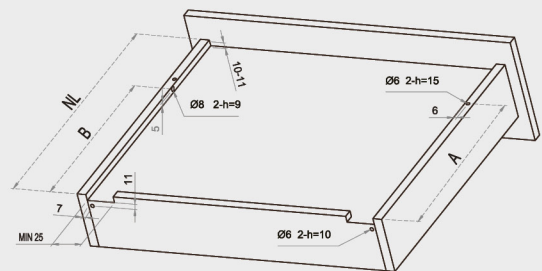
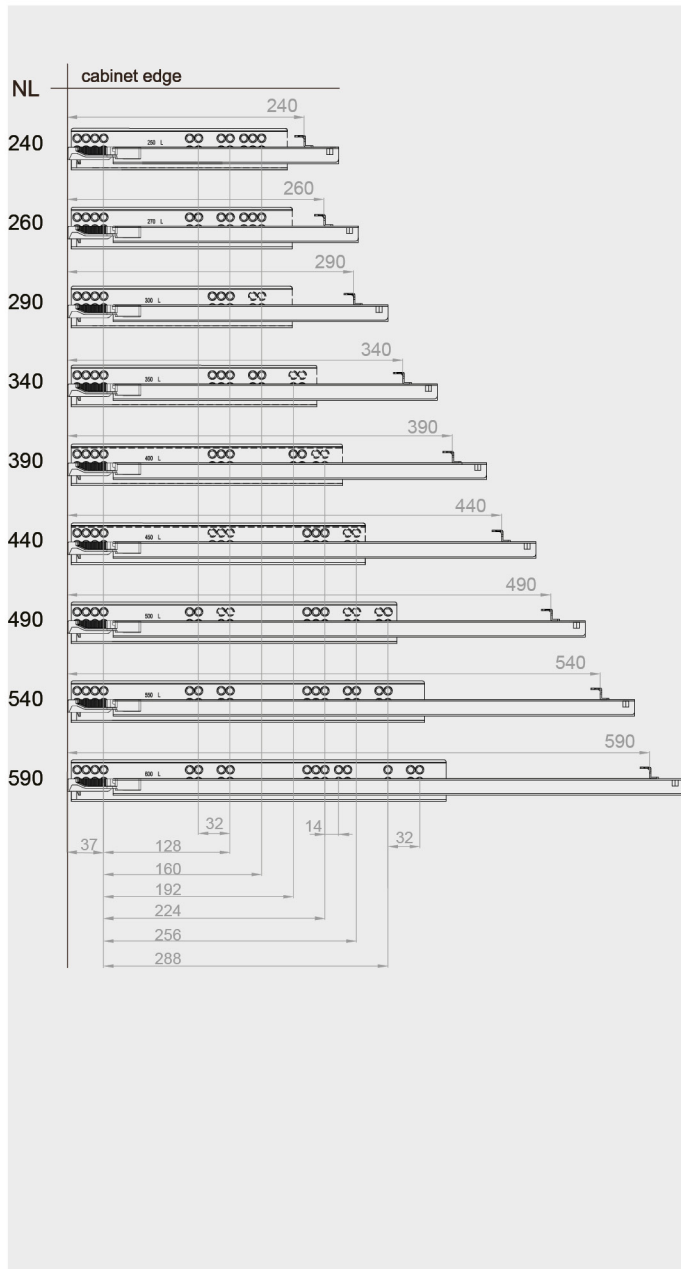
Undermount Slide



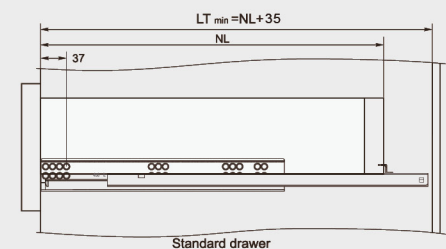
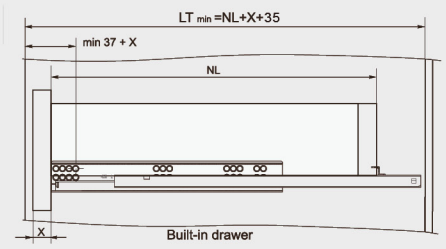
#### Technical specifications:

- Main material: galvanized sheet.
- Max loading capacity: 25kg.
- Life guarantee: 80,000 cycles.
- Thickness of board: DY2246: ≤16mm  
DY4246: ≤19mm
- Adjustable opening and closing strength: +25%

#### Installation dimensions

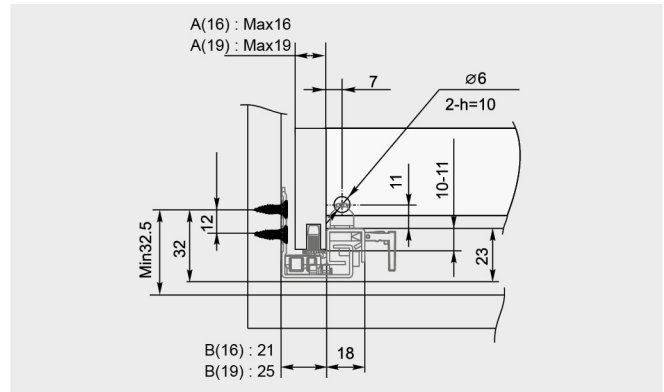
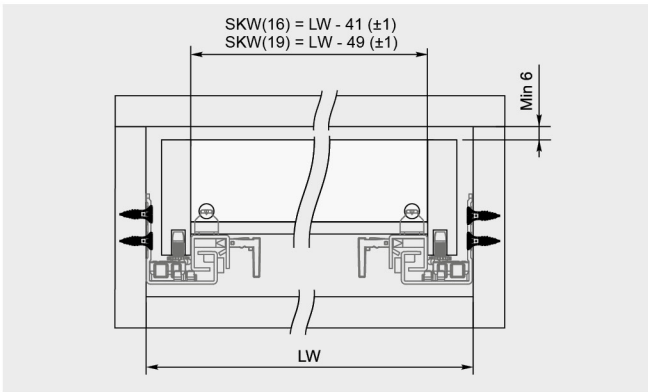


NL	240	260	290	340	390	440	490	540	590
A	220	230	245	270	305	330	355	390	415
B	188	198	213	238	273	298	323	358	383



LT - Cabinet inner depth  
 NL - Nominal slide length  
 X - Board thickness

## 7/8 Extension concealed **soft-closing** drawer slide(with bolt locking)

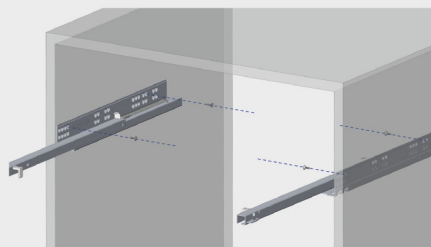


LW - Cabinet inner width  
 SKW(16) - Drawer inner width(≤16mm drawer side thickness)  
 SKW(19) - Drawer inner width(≤19mm drawer side thickness)

A(16) Be used for slide rails with a drawer side  
 A(19) thickness no thinner than 16mm.  
 -----  
 B(16) Be used for slide rails with a drawer side  
 B(19) thickness no thinner than 19mm.

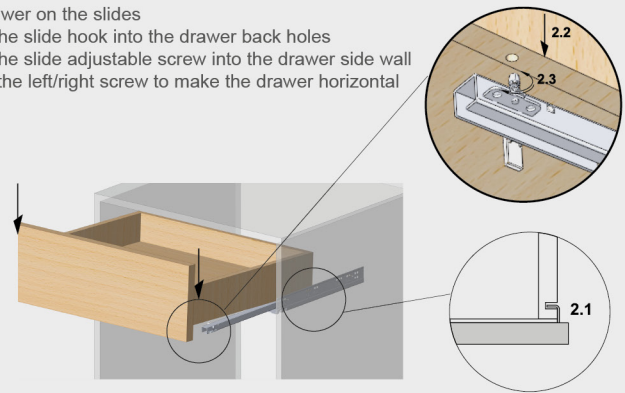
### Installation

1. Install the slides on the cabinet



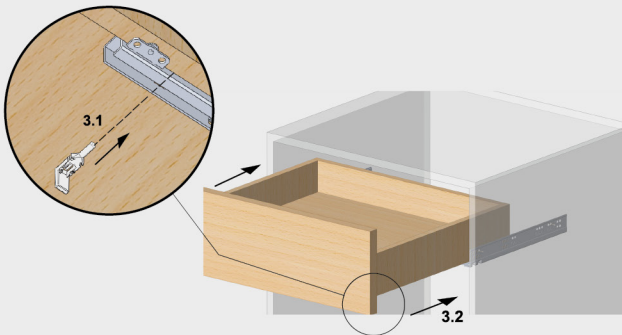
2. Set the drawer on the slides

- 2.1 Insert the slide hook into the drawer back holes
- 2.2 Insert the slide adjustable screw into the drawer side wall
- 2.3 Adjust the left/right screw to make the drawer horizontal



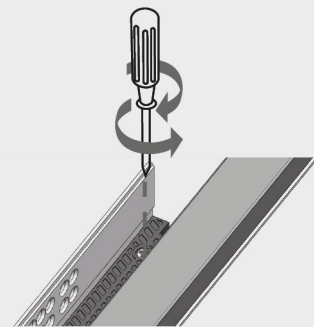
3. Fix the drawer and slides

- 3.1 insert the left/right plastic pins into the pre-drilled holes on the drawer side walls
- 3.2 Close the drawer



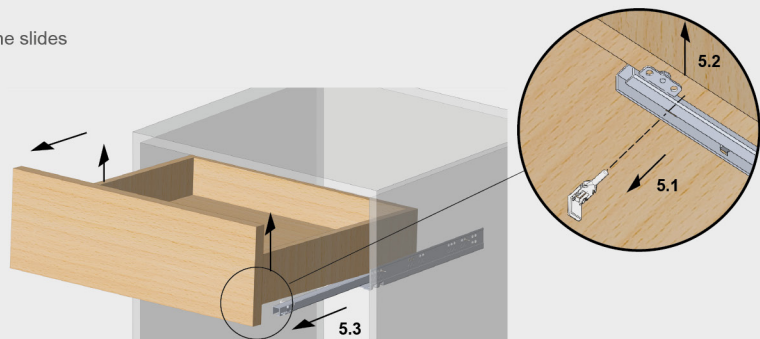
4. Adjustable opening and closing mechanism:

When the drawer takes more than 20kg, adjust the eccentric screw on the damper, max 25% more strength will be applied, so that make the movement smooth.



5. Disassembly of the drawer

- 5.1 Take out the plastic pin to separate the drawer from the slides
- 5.2 Take up the drawer
- 5.3 Draw out the drawer



# SOFT - CLOSING

## DY2331 & DY4331

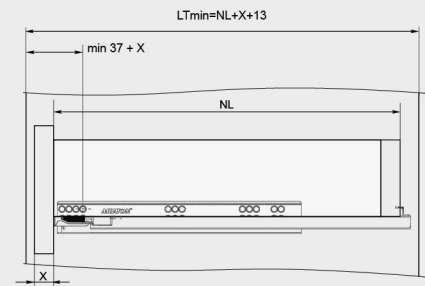
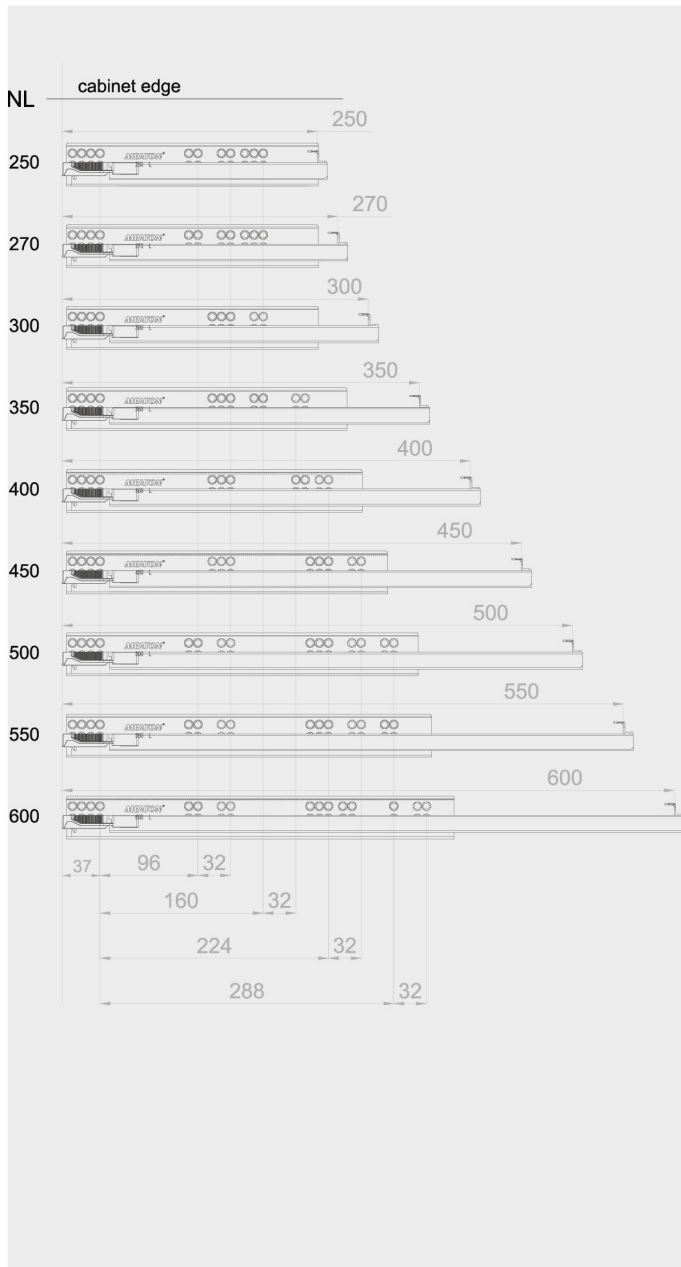
### 2-Fold concealed drawer slide(with handle)



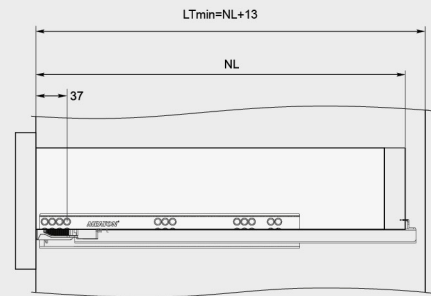
#### Technical specifications:

- Main material: galvanized sheet.
- Max loading capacity: 25kg.
- Life guarantee: 80,000 cycles.
- Thickness of board: DY2331: ≤16mm  
DY4331: ≤19mm
- Adjustable opening and closing strength: +25%

#### Installation dimensions



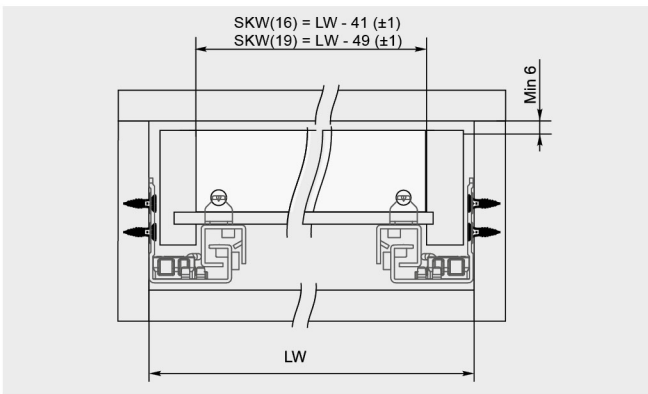
Built-in drawer



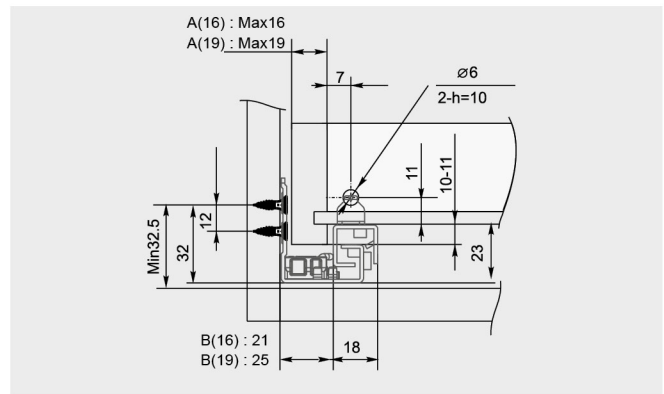
Standard drawer

LT - Cabinet inner depth  
NL - Nominal slide length  
X - Board thickness

## 2-Fold concealed **soft-closing** drawer slide(with handle)



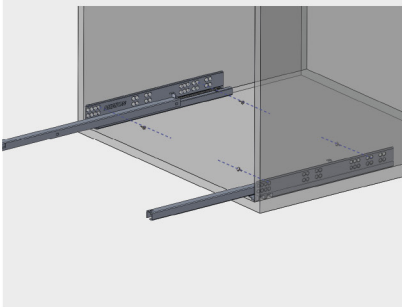
LW - Cabinet inner width  
 SKW(16) - Drawer inner width(≤16mm drawer side thickness)  
 SKW(19) - Drawer inner width(≤19mm drawer side thickness)



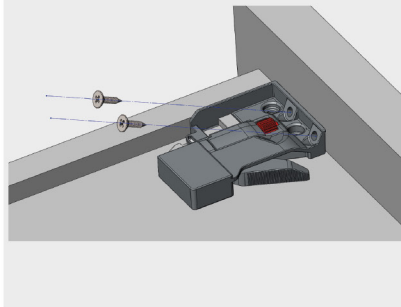
A(16) Be used for slide rails with a drawer side thickness no thinner than 16mm.  
 A(19) thickness no thinner than 19mm.  
 B(16) Be used for slide rails with a drawer side thickness no thinner than 16mm.  
 B(19) thickness no thinner than 19mm.

### Installation

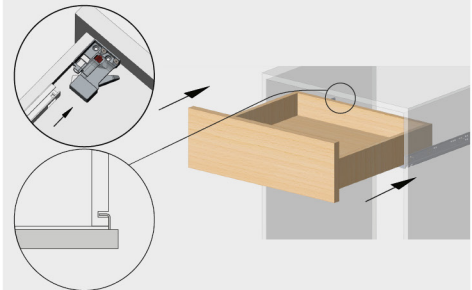
1. Install the slides on the cabinet



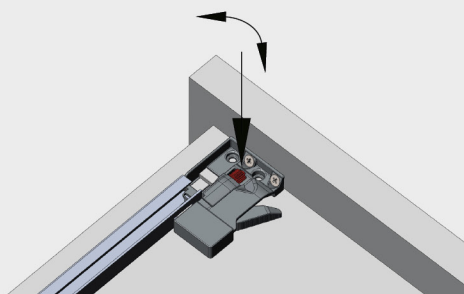
2. Install left/ right handle in the front of the drawer



3. Install the drawer on the slides, slide hooks insert into the pre-drilled holes on the drawer back panel

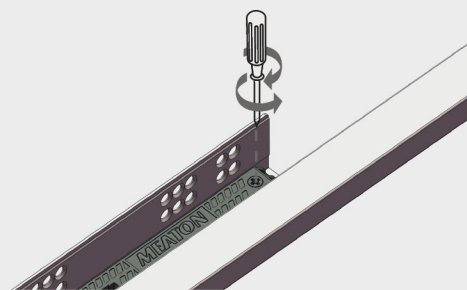


4. Adjust the front panel with plastic wheel on the handle, 0-2.5mm

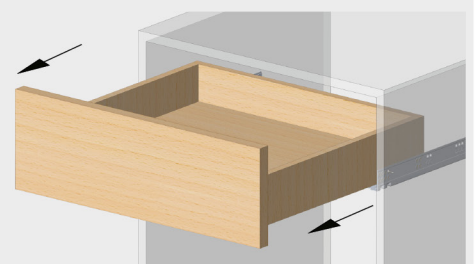
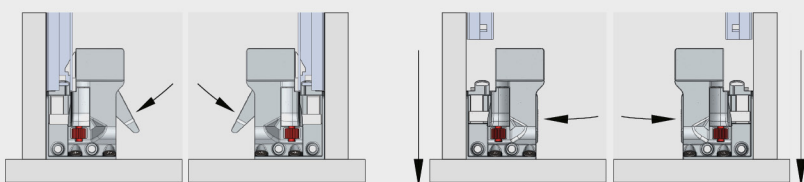


5. Adjustable opening and closing mechanism:

When the drawer takes more than 20kg, adjust the eccentric screw on the damper, max 25% more strength will be applied, so that make the movement smooth.



6. Push the handle lever to unlock the drawer, then pull out the drawer



# SOFT - CLOSING

## DY2346 & DY4346

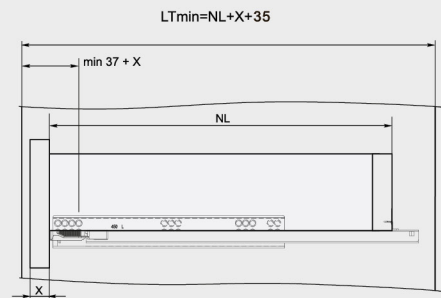
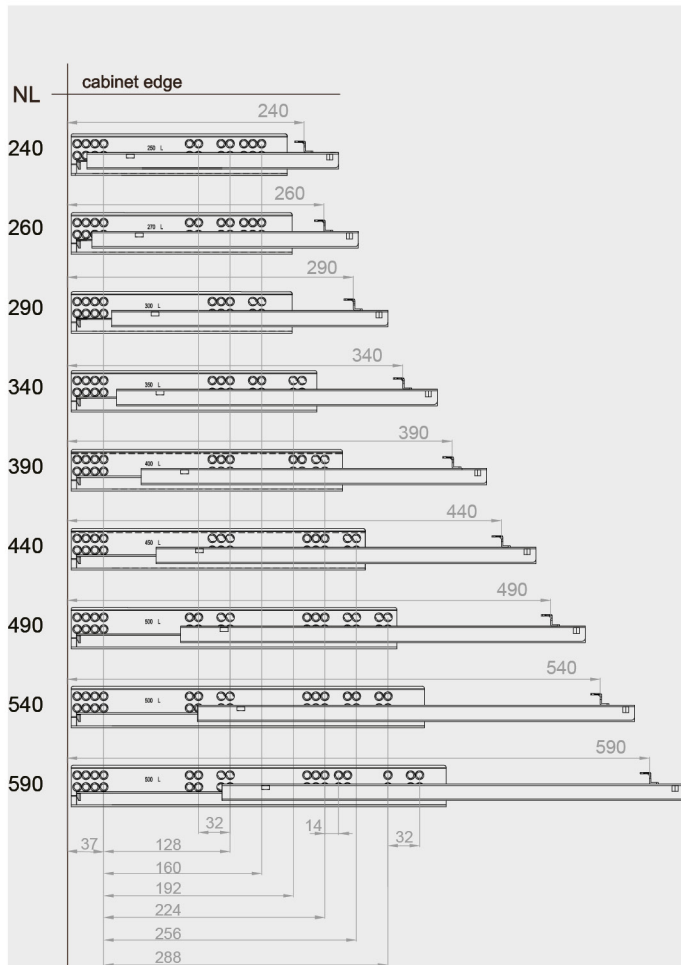
### 7/8 Extension concealed drawer slide(with handle)



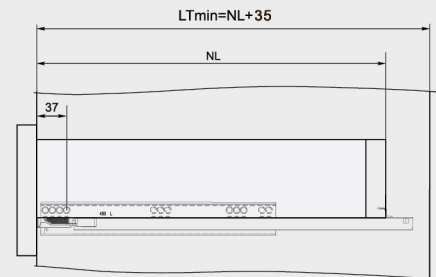
#### Technical specifications:

- Main material: galvanized sheet.
- Max loading capacity: 25kg.
- Life guarantee: 80,000 cycles.
- Thickness of board: DY2346: ≤16mm  
DY4346: ≤19mm
- Adjustable opening and closing strength: +25%

#### Installation dimensions



Built-in drawer



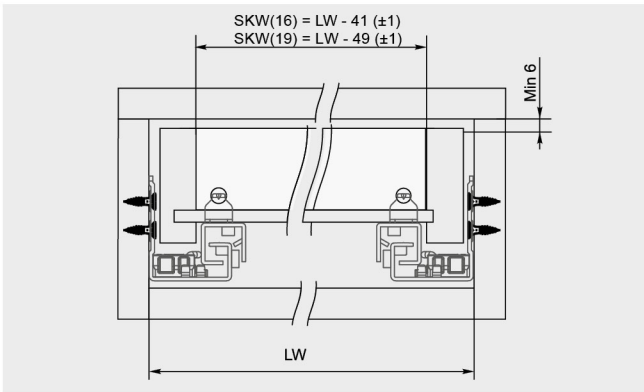
Standard drawer

LT - Cabinet inner depth  
 NL - Nominal slide length  
 X - Board thickness

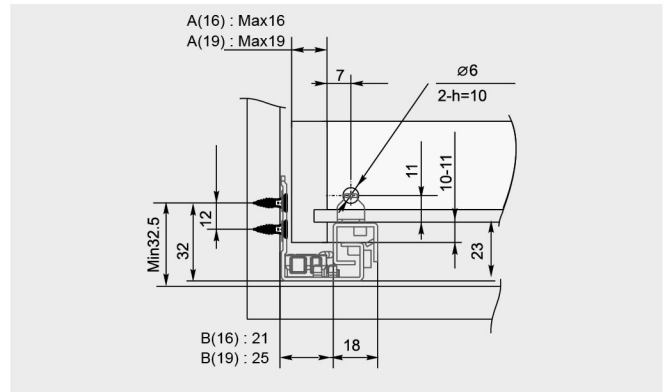


Undermount Slide

## 7/8 Extension concealed **soft-closing** drawer slide(with handle)



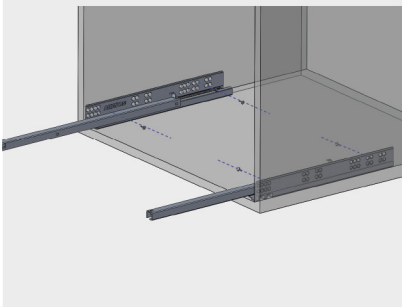
LW - Cabinet inner width  
 SKW(16) - Drawer inner width(≤16mm drawer side thickness)  
 SKW(19) - Drawer inner width(≤19mm drawer side thickness)



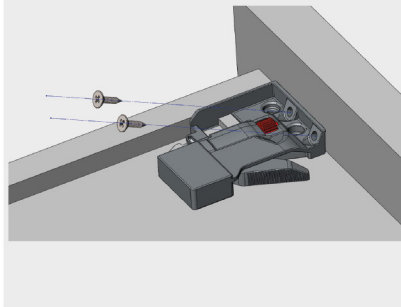
A(16) Be used for slide rails with a drawer side  
 A(19) thickness no thinner than 16mm.  
 B(16) Be used for slide rails with a drawer side  
 B(19) thickness no thinner than 19mm.

### Installation

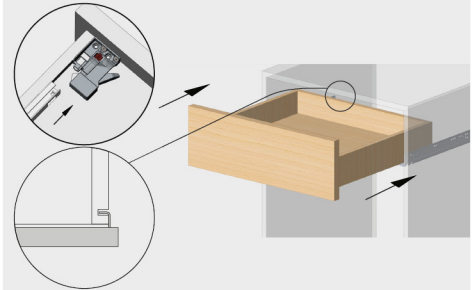
1. Install the slides on the cabinet



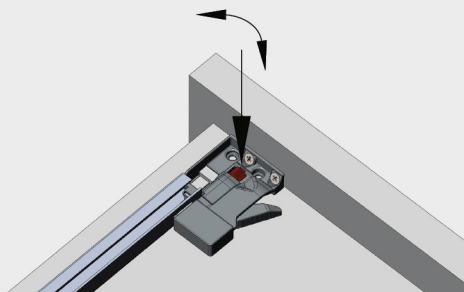
2. Install left/ right handle in the front of the drawer



3. Install the drawer on the slides, slide hooks insert into the pre-drilled holes on the drawer back panel

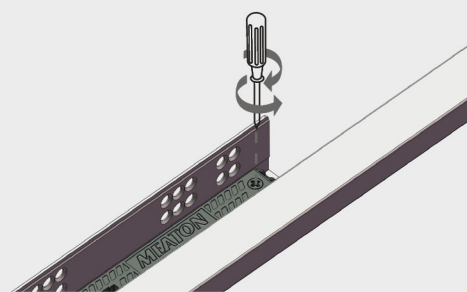


4. Adjust the front panel with plastic wheel on the handle, 0-2.5mm

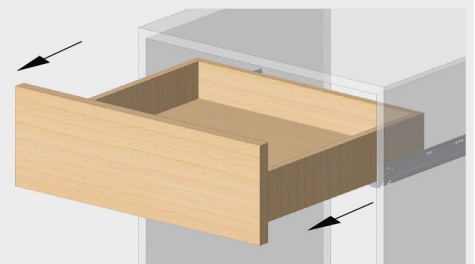
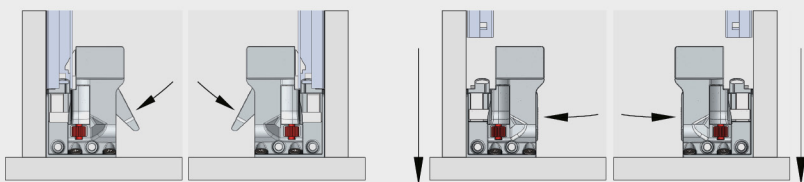


5. Adjustable opening and closing mechanism:

When the drawer takes more than 20kg, adjust the eccentric screw on the damper, max 25% more strength will be applied, so that make the movement smooth.



6. Push the handle lever to unlock the drawer, then pull out the drawer





# SOFT - CLOSING

## DY2341 & DY4341

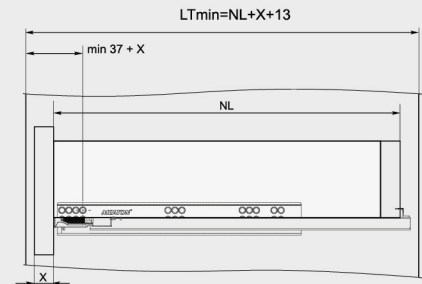
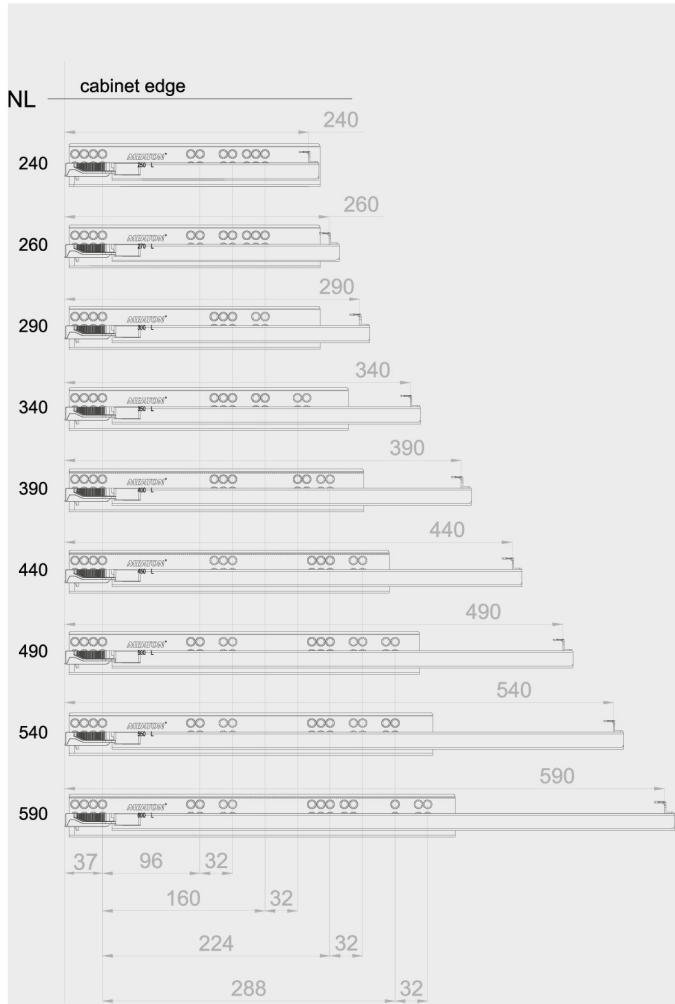
### 2-Fold concealed drawer slide(with handle)



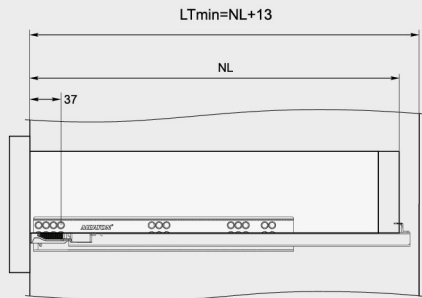
#### Technical specifications:

- Main material: galvanized sheet.
- Max loading capacity: 25kg.
- Life guarantee: 80,000 cycles.
- Thickness of board: DY2341: ≤16mm  
DY4341: ≤19mm
- Adjustable opening and closing strength: +25%

#### Installation dimensions



Built-in drawer

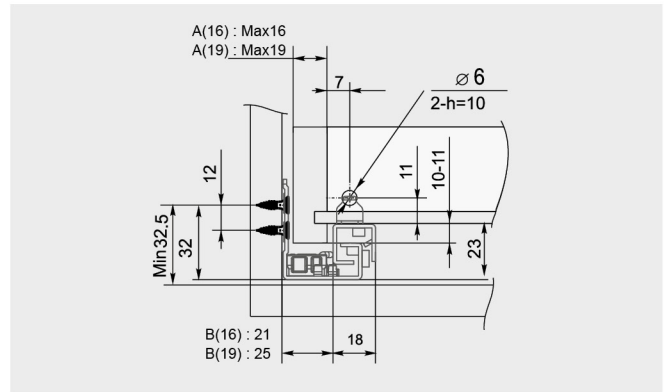
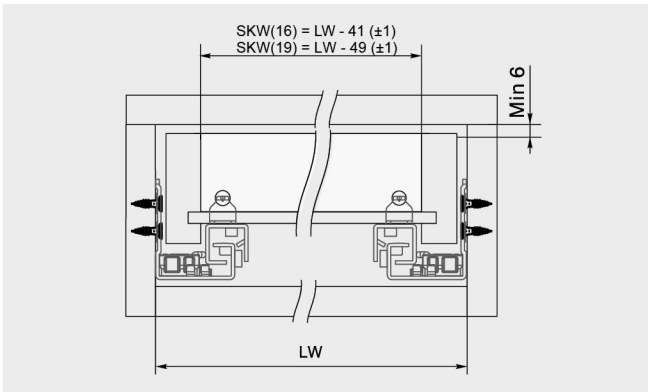


Standard drawer

LT - Cabinet inner depth  
 NL - Nominal slide length  
 X - Board thickness



## 2-Fold concealed **soft-closing** drawer slide(with handle)

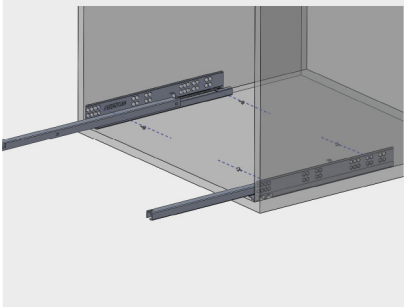


LW - Cabinet inner width  
 SKW(16) - Drawer inner width(≤16mm drawer side thickness)  
 SKW(19) - Drawer inner width(≤19mm drawer side thickness)

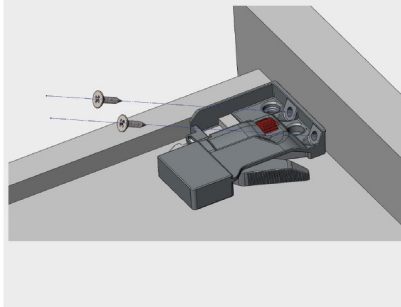
A(16) Be used for slide rails with a drawer side thickness no thinner than 16mm.  
 A(19) thickness no thinner than 19mm.  
 B(16) Be used for slide rails with a drawer side thickness no thinner than 16mm.  
 B(19) thickness no thinner than 19mm.

### Installation

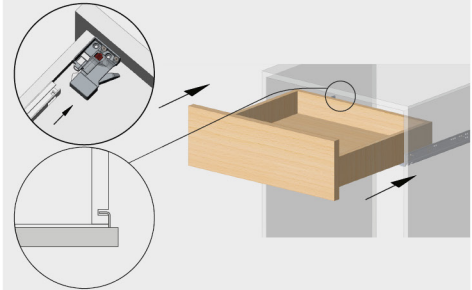
1. Install the slides on the cabinet



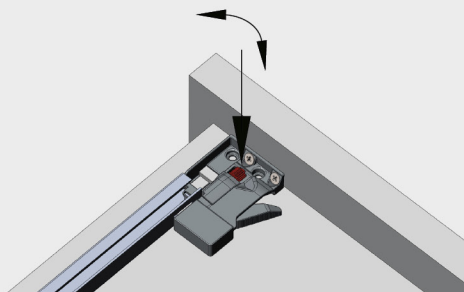
2. Install left/ right handle in the front of the drawer



3. Install the drawer on the slides, slide hooks insert into the pre-drilled holes on the drawer back panel

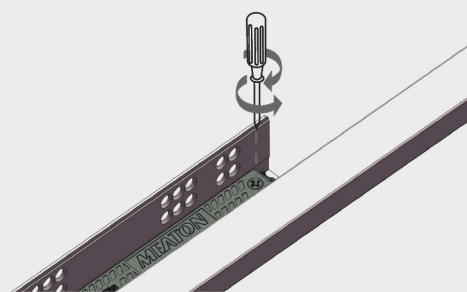


4. Adjust the front panel with plastic wheel on the handle, 0-2.5mm

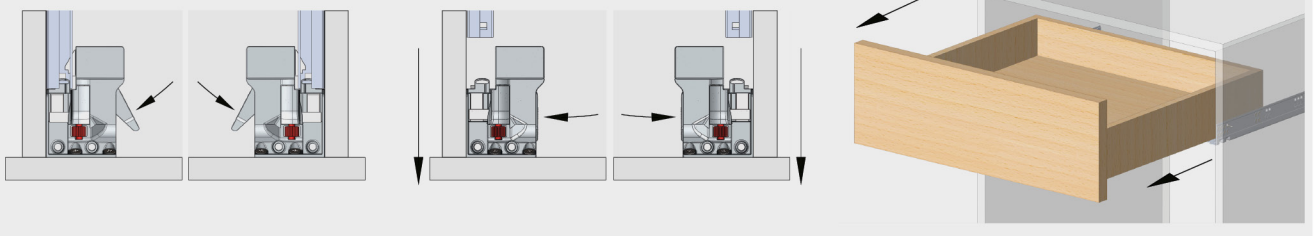


5. Adjustable opening and closing mechanism:

When the drawer takes more than 20kg, adjust the eccentric screw on the damper, max 25% more strength will be applied, so that make the movement smooth.



6. Push the handle lever to unlock the drawer, then pull out the drawer



# SOFT - CLOSING

## DY3201 & DH3201(Synchronized)

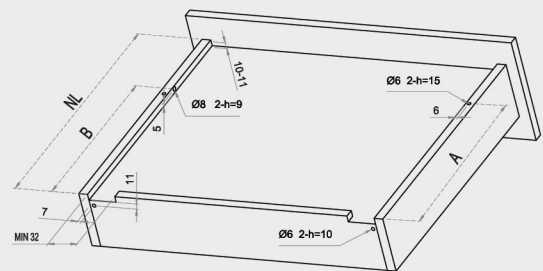
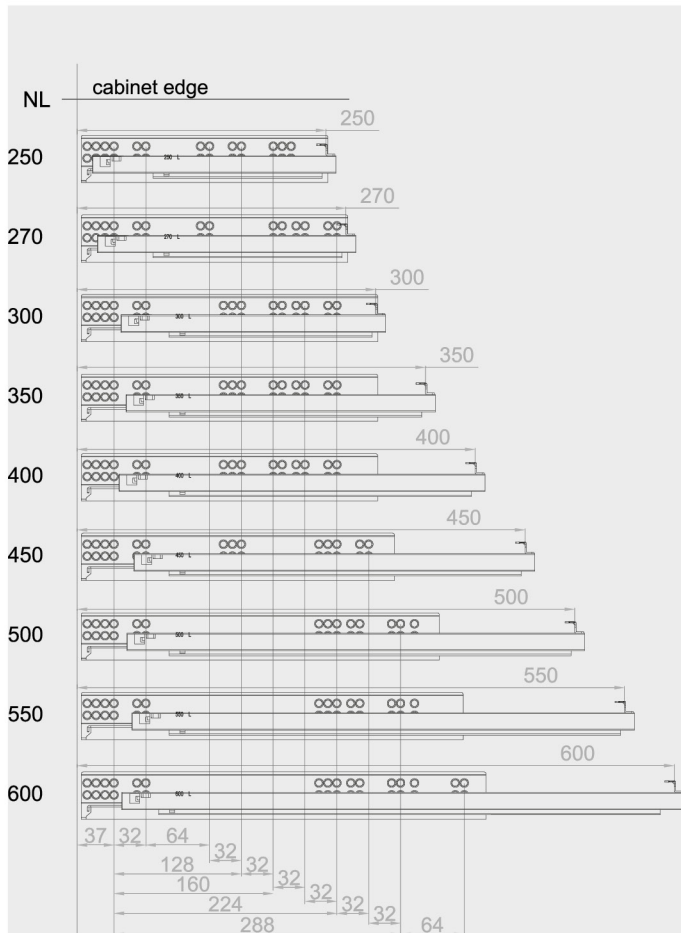
3-Fold concealed drawer slide(16mm with bolt locking)



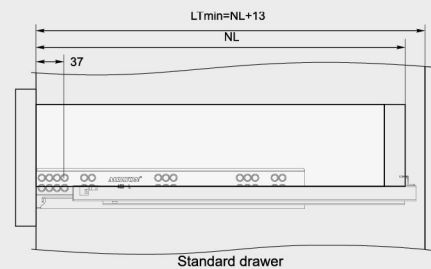
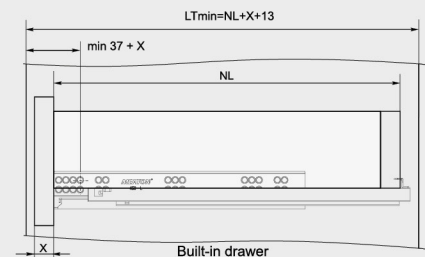
### Technical specifications:

- Main material: galvanized sheet.
- Max loading capacity: 30kg.
- Life guarantee: 50,000 cycles.
- Thickness of board: ≤16mm.
- Adjustable opening and closing strength: +25%

### Installation dimensions



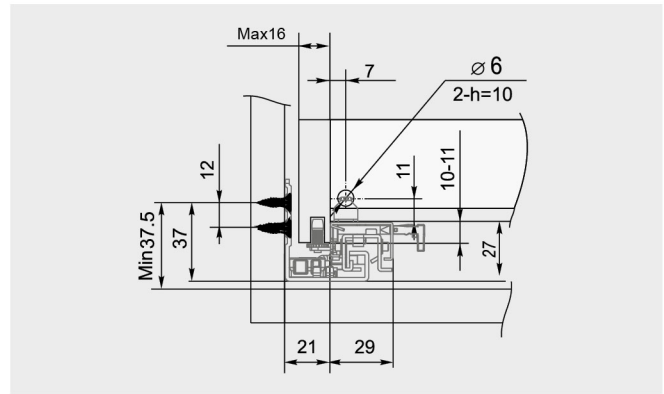
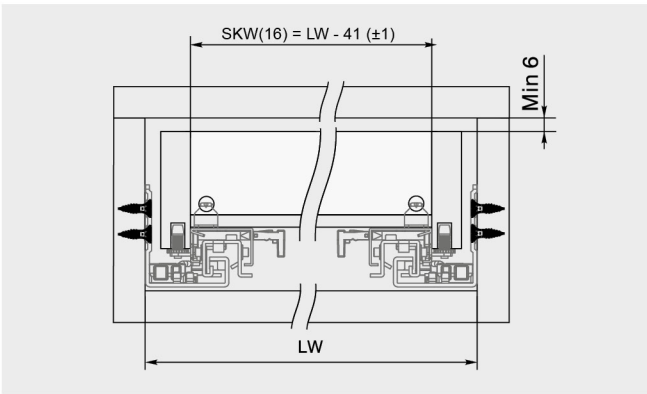
NL	250	270	300	350	400	450	500	550	600
A	206	221	231	276	301	336	361	406	456
B	220.5	235.5	242	287	344	379	436	481	531



LT - Cabinet inner depth  
 NL - Nominal slide length  
 X - Board thickness



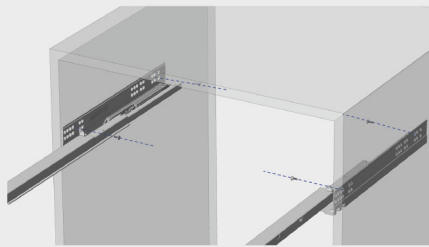
## 3-Fold concealed **soft-closing** drawer slide(16mm with bolt locking)



LW - Cabinet inner width  
SKW(16) - Drawer inner width(≤16mm drawer side thickness)

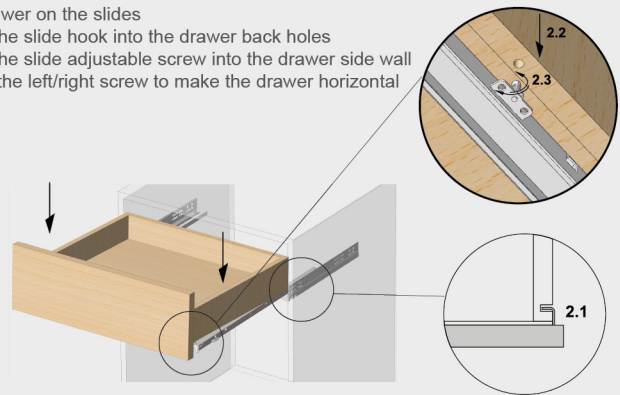
### Installation

#### 1. Install the slides on the cabinet



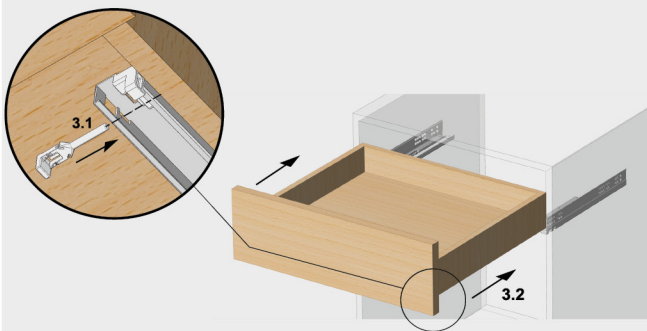
#### 2. Set the drawer on the slides

- 2.1 Insert the slide hook into the drawer back holes
- 2.2 Insert the slide adjustable screw into the drawer side wall
- 2.3 Adjust the left/right screw to make the drawer horizontal



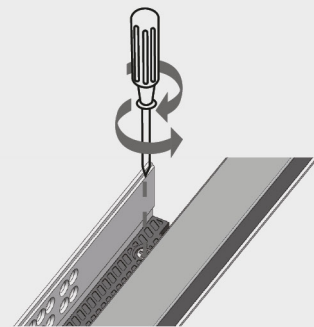
#### 3. Fix the drawer and slides

- 3.1 insert the left/right plastic pins into the pre-drilled holes on the drawer side walls
- 3.2 Close the drawer



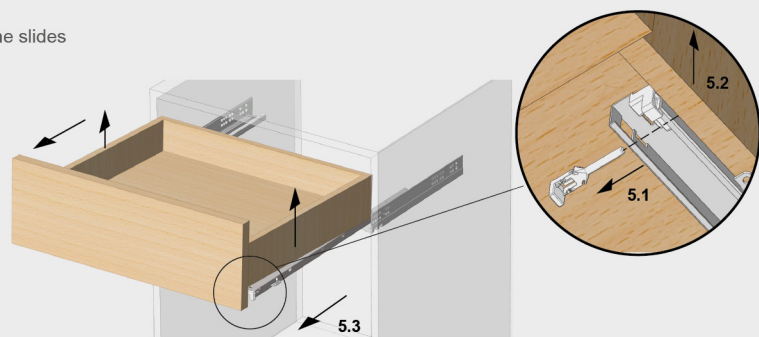
#### 4. Adjustable opening and closing mechanism:

When the drawer takes more than 25kg, adjust the eccentric screw on the damper, max 25% more strength will be applied, so that make the movement smooth.



#### 5. Disassembly of the drawer

- 5.1 Take out the plastic pin to separate the drawer from the slides
- 5.2 Take up the drawer
- 5.3 Draw out the drawer



# SOFT - CLOSING

## DY5201 & DH5201(Synchronized)

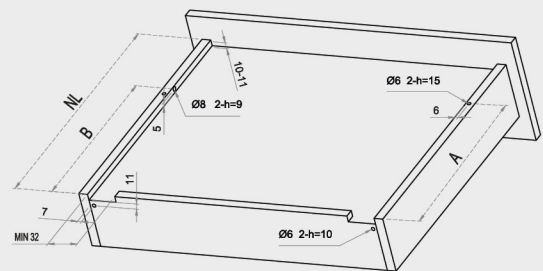
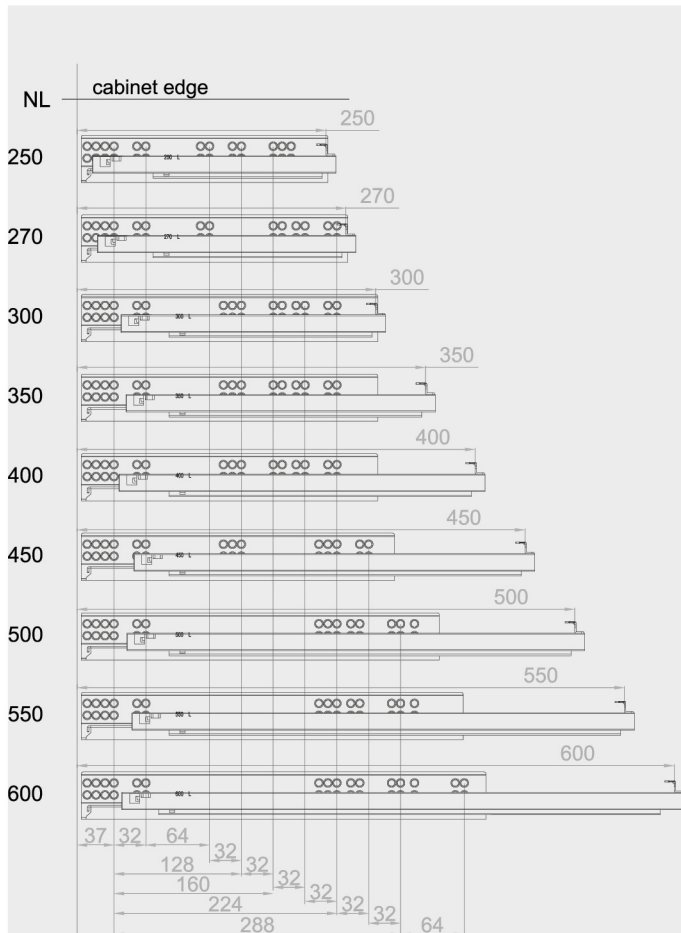
3-Fold concealed drawer slide(19mm with bolt locking)



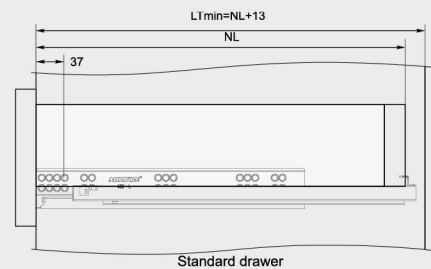
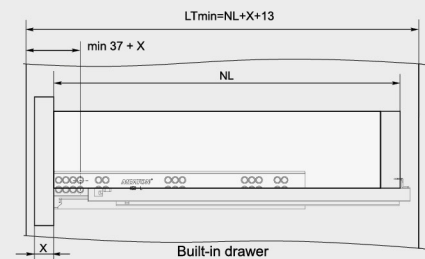
### Technical specifications:

- Main material: galvanized sheet.
- Max loading capacity: 30kg.
- Life guarantee: 50,000 cycles.
- Thickness of board: ≤19mm.
- Adjustable opening and closing strength: +25%

### Installation dimensions



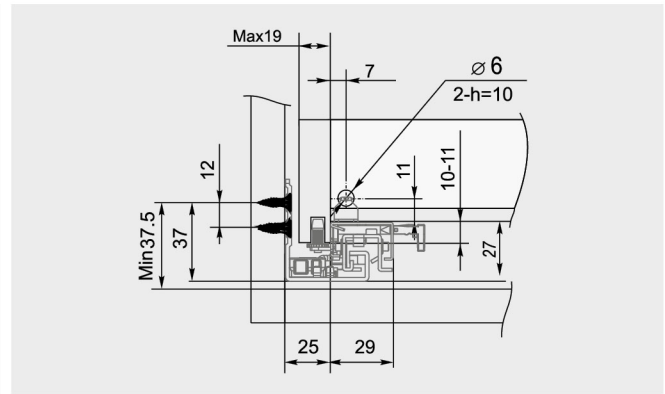
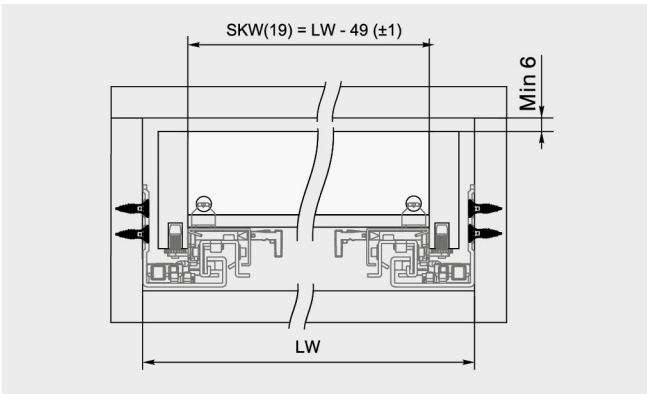
NL	250	270	300	350	400	450	500	550	600
A	206	221	231	276	301	336	361	406	456
B	220.5	235.5	242	287	344	379	436	481	531



LT - Cabinet inner depth  
 NL - Nominal slide length  
 X - Board thickness



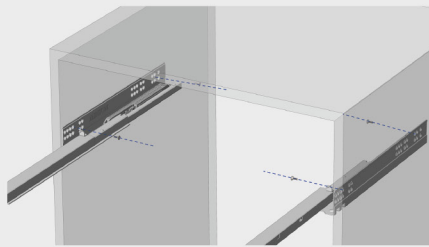
## 3-Fold concealed **soft-closing** drawer slide(19mm with bolt locking)



LW - Cabinet inner width  
SKW(19) - Drawer inner width(≤19mm drawer side thickness)

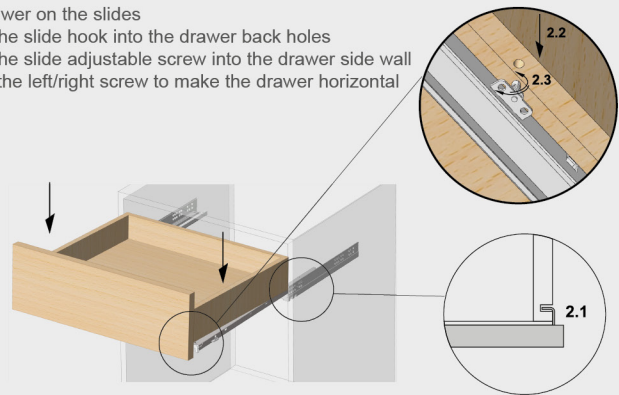
### Installation

#### 1. Install the slides on the cabinet



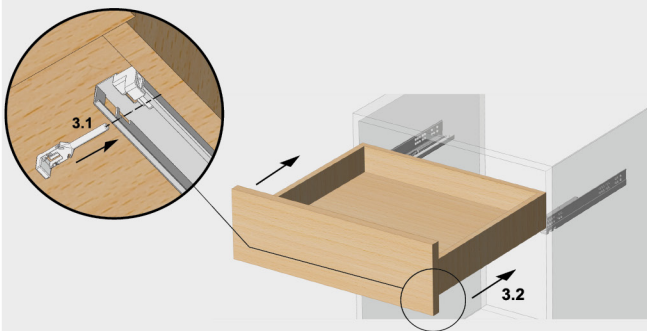
#### 2. Set the drawer on the slides

- 2.1 Insert the slide hook into the drawer back holes
- 2.2 Insert the slide adjustable screw into the drawer side wall
- 2.3 Adjust the left/right screw to make the drawer horizontal



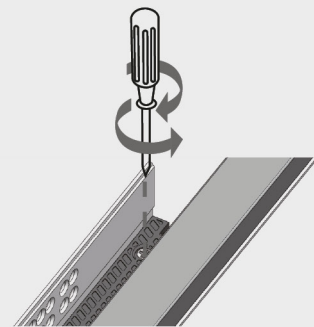
#### 3. Fix the drawer and slides

- 3.1 insert the left/right plastic pins into the pre-drilled holes on the drawer side walls
- 3.2 Close the drawer



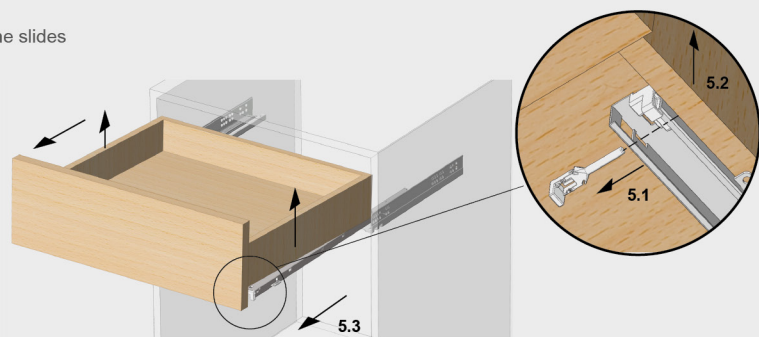
#### 4. Adjustable opening and closing mechanism:

When the drawer takes more than 25kg, adjust the eccentric screw on the damper, max 25% more strength will be applied, so that make the movement smooth.



#### 5. Disassembly of the drawer

- 5.1 Take out the plastic pin to separate the drawer from the slides
- 5.2 Take up the drawer
- 5.3 Draw out the drawer



# SOFT - CLOSING

## DY3221 & DH3221(Synchronized)

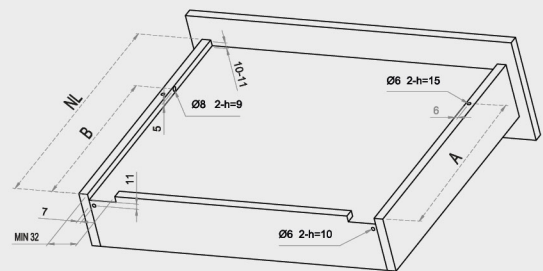
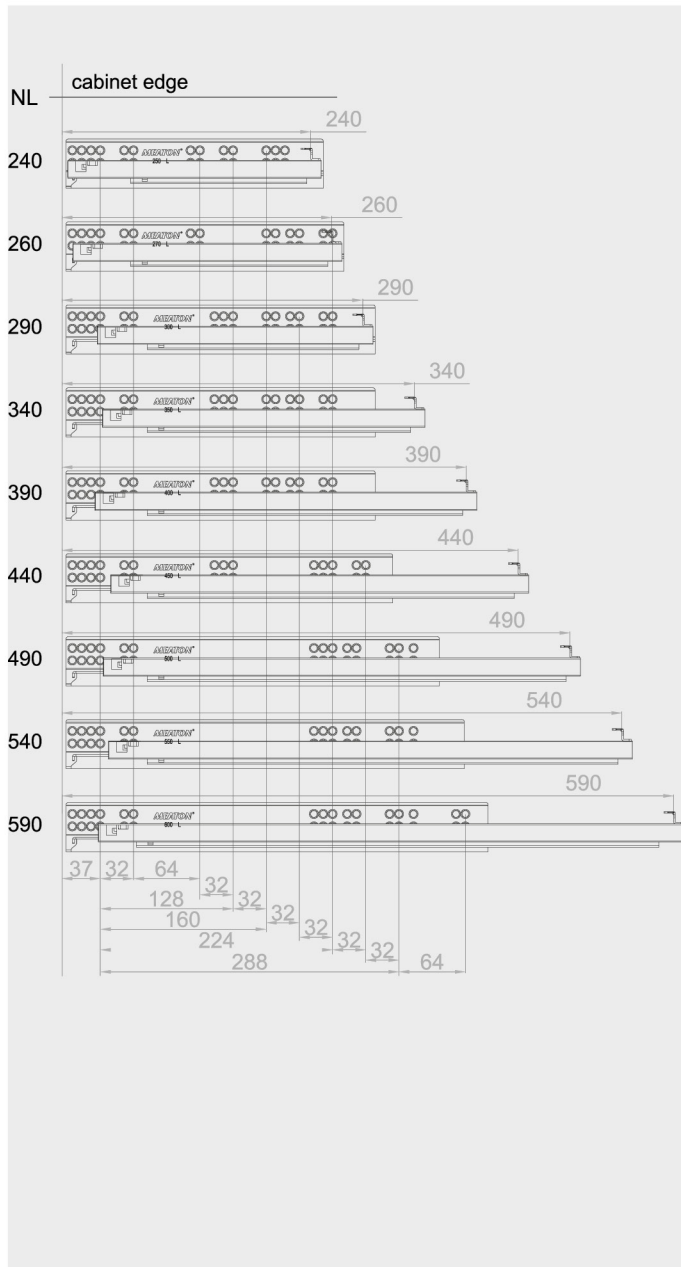
3-Fold concealed drawer slide(16mm with bolt locking)



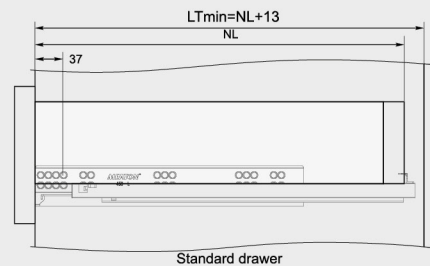
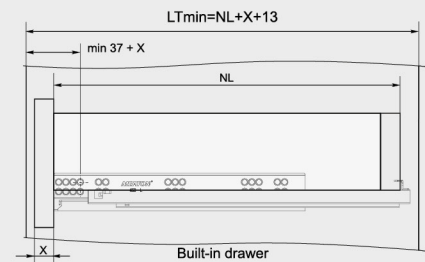
### Technical specifications:

- Main material: galvanized sheet.
- Max loading capacity: 30kg.
- Life guarantee: 50,000 cycles.
- Thickness of board: ≤16mm.
- Adjustable opening and closing strength: +25%

### Installation dimensions

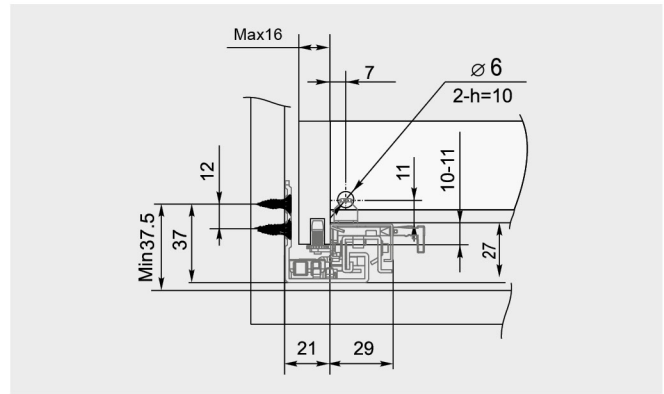
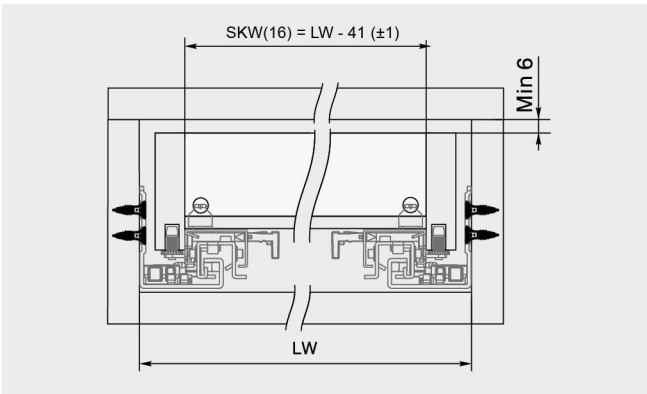


NL	240	260	290	340	390	440	490	540	590
A	190	205	245	270	305	330	355	390	415
B	200.5	215.5	255.5	280.5	319.5	369.5	419.5	469.5	519.5



LT - Cabinet inner depth  
 NL - Nominal slide length  
 X - Board thickness

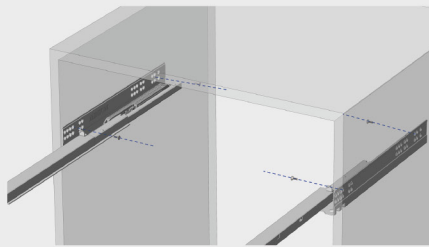
## 3-Fold concealed **soft-closing** drawer slide(16mm with bolt locking)



LW - Cabinet inner width  
SKW(16) - Drawer inner width(≤16mm drawer side thickness)

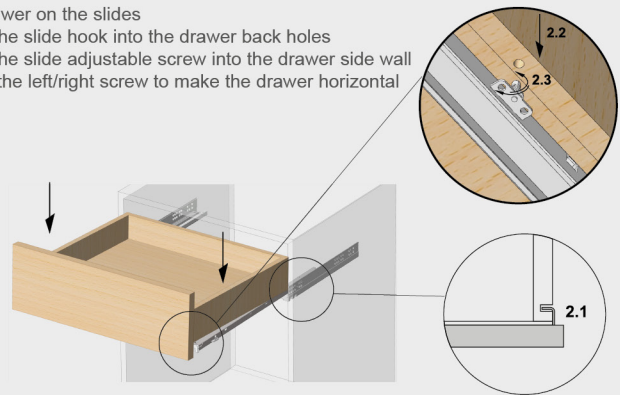
### Installation

1. Install the slides on the cabinet



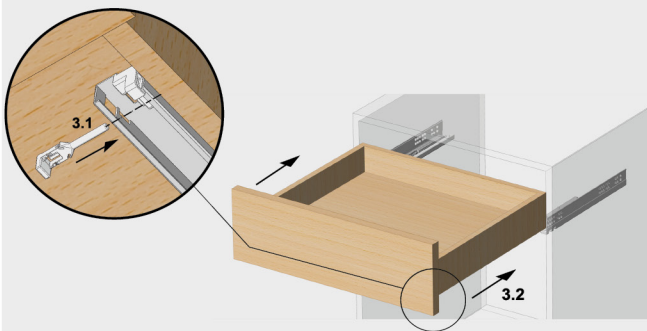
2. Set the drawer on the slides

- 2.1 Insert the slide hook into the drawer back holes
- 2.2 Insert the slide adjustable screw into the drawer side wall
- 2.3 Adjust the left/right screw to make the drawer horizontal



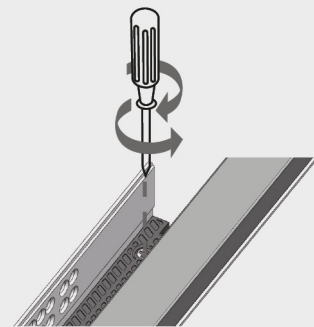
3. Fix the drawer and slides

- 3.1 insert the left/right plastic pins into the pre-drilled holes on the drawer side walls
- 3.2 Close the drawer



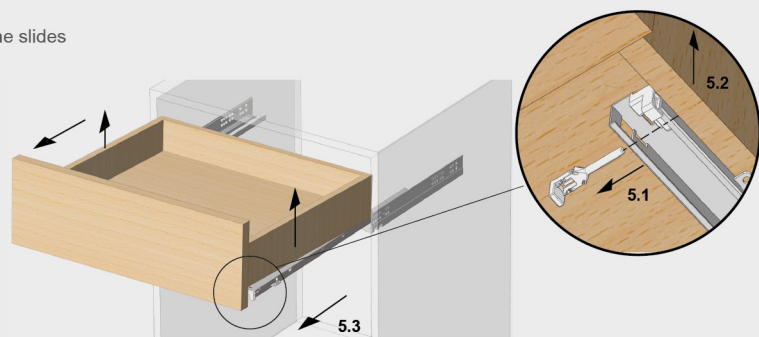
4. Adjustable opening and closing mechanism:

When the drawer takes more than 25kg, adjust the eccentric screw on the damper, max 25% more strength will be applied, so that make the movement smooth.



5. Disassembly of the drawer

- 5.1 Take out the plastic pin to separate the drawer from the slides
- 5.2 Take up the drawer
- 5.3 Draw out the drawer





# SOFT - CLOSING

## DY5221 & DH5221(Synchronized)

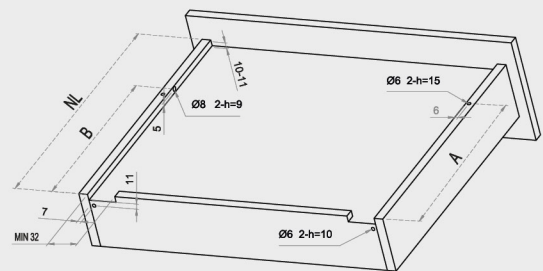
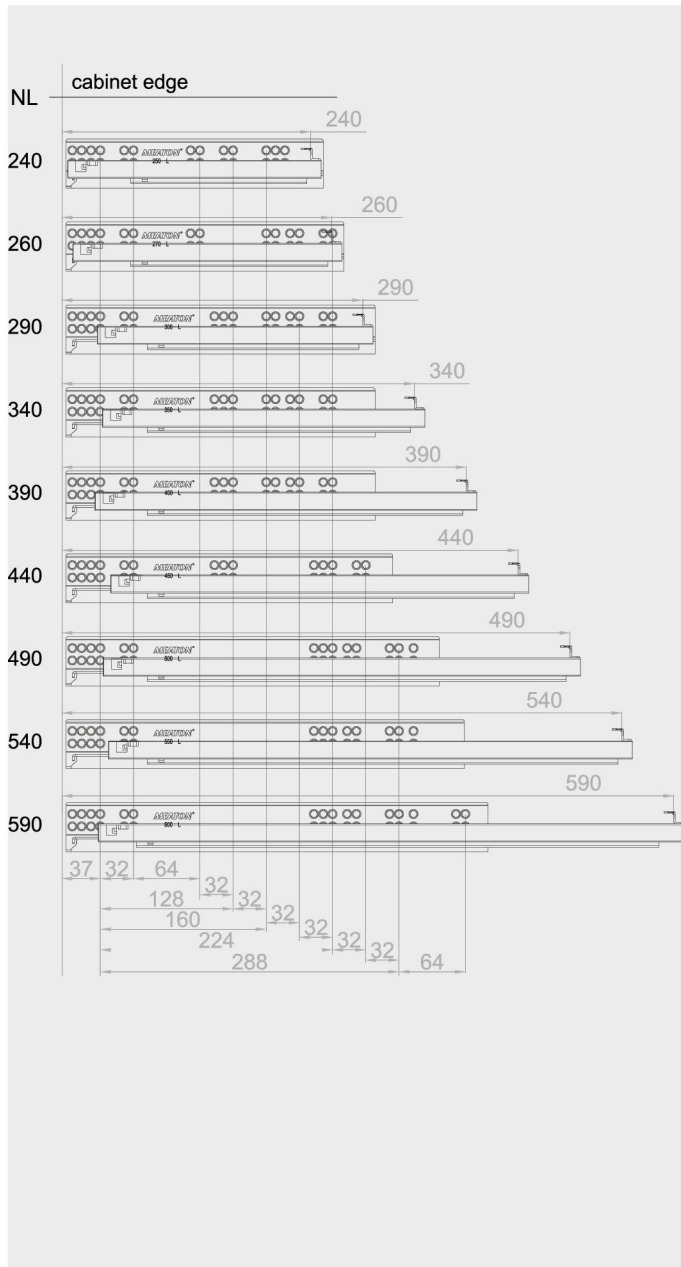
3-Fold concealed drawer slide(19mm with bolt locking)



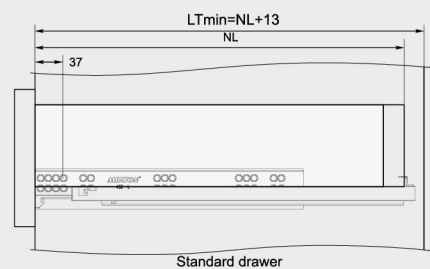
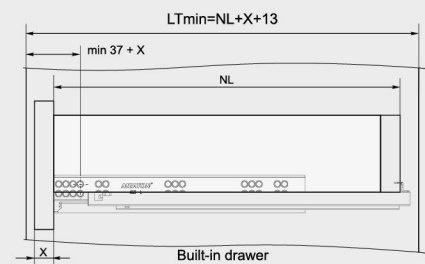
### Technical specifications:

- Main material: galvanized sheet.
- Max loading capacity: 30kg.
- Life guarantee: 50,000 cycles.
- Thickness of board: ≤19mm.
- Adjustable opening and closing strength: +25%

### Installation dimensions



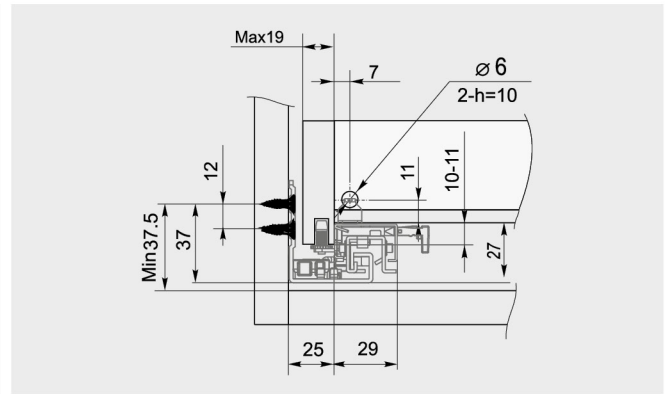
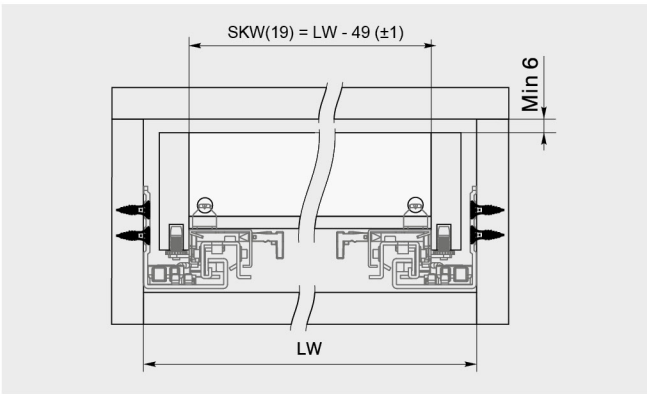
NL	240	260	290	340	390	440	490	540	590
A	190	205	245	270	305	330	355	390	415
B	200.5	215.5	255.5	280.5	319.5	369.5	419.5	469.5	519.5



LT - Cabinet inner depth  
 NL - Nominal slide length  
 X - Board thickness



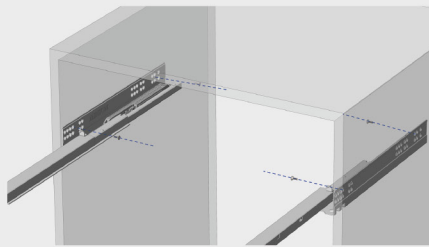
## 3-Fold concealed **soft-closing** drawer slide(19mm with bolt locking)



LW - Cabinet inner width  
SKW(19) - Drawer inner width(≤19mm drawer side thickness)

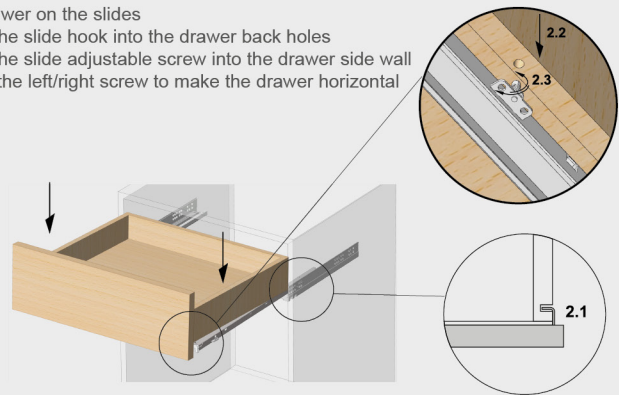
### Installation

1. Install the slides on the cabinet



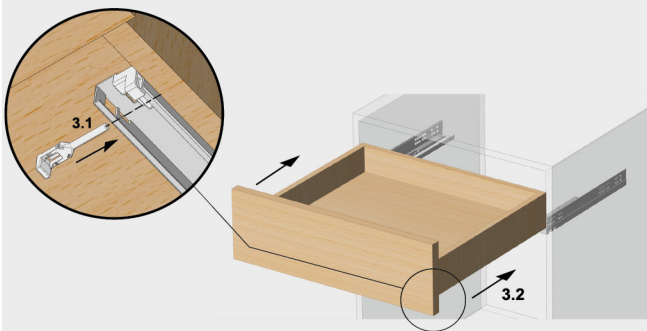
2. Set the drawer on the slides

- 2.1 Insert the slide hook into the drawer back holes
- 2.2 Insert the slide adjustable screw into the drawer side wall
- 2.3 Adjust the left/right screw to make the drawer horizontal



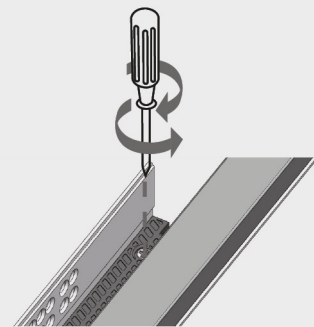
3. Fix the drawer and slides

- 3.1 insert the left/right plastic pins into the pre-drilled holes on the drawer side walls
- 3.2 Close the drawer



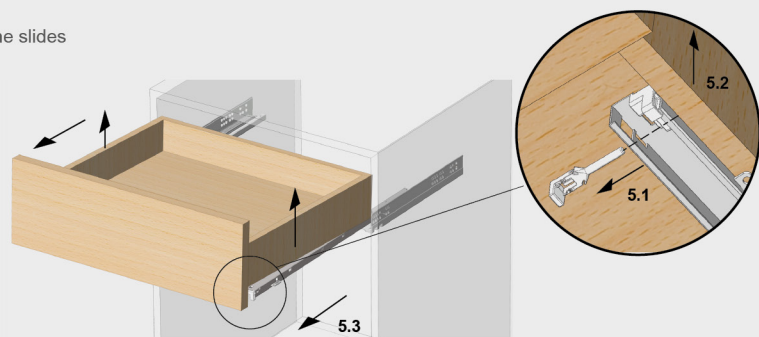
4. Adjustable opening and closing mechanism:

When the drawer takes more than 25kg, adjust the eccentric screw on the damper, max 25% more strength will be applied, so that make the movement smooth.



5. Disassembly of the drawer

- 5.1 Take out the plastic pin to separate the drawer from the slides
- 5.2 Take up the drawer
- 5.3 Draw out the drawer



# SOFT - CLOSING

## DY3331 & DH3331(Synchronized)

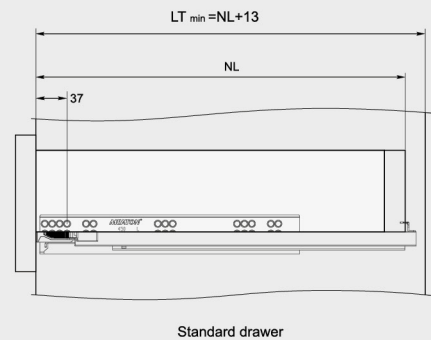
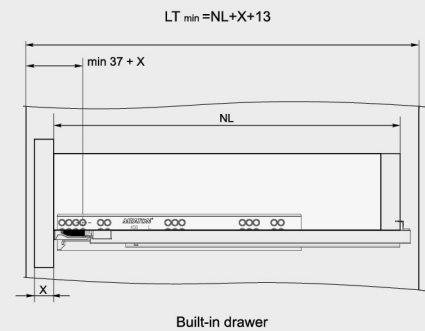
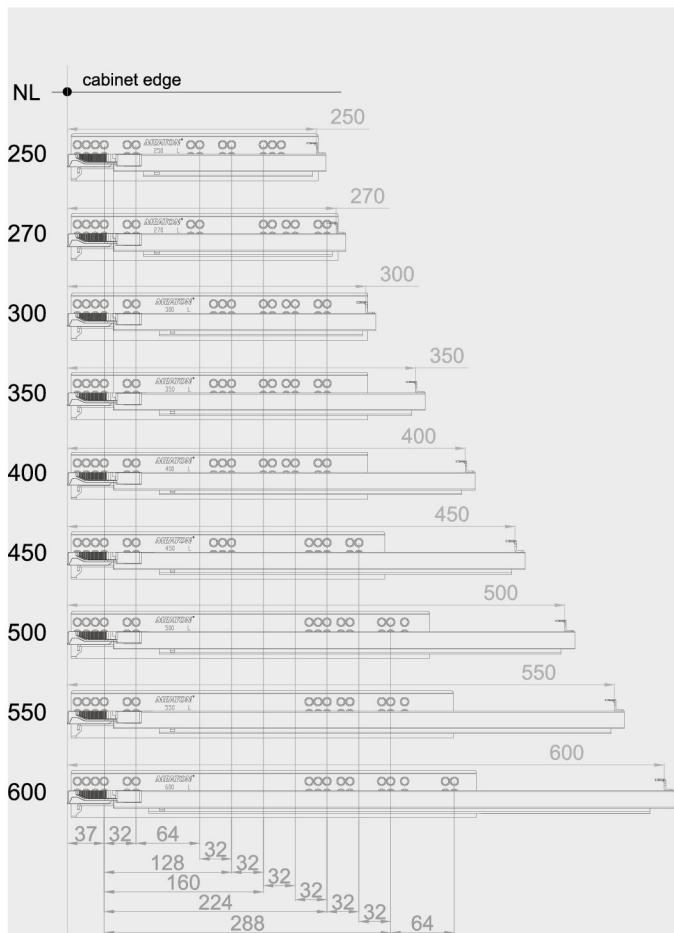
3-Fold concealed drawer slide(16mm with handle)



### Technical specifications:

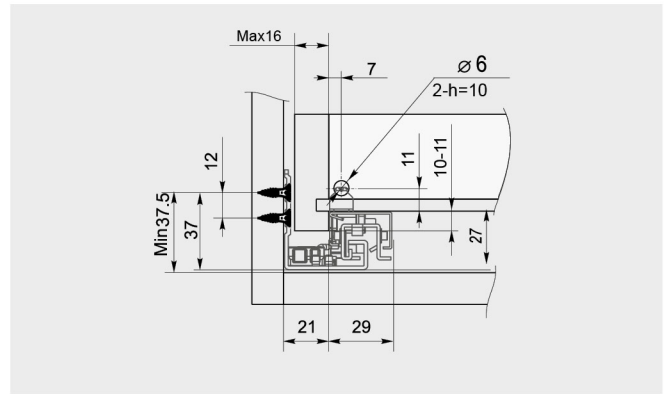
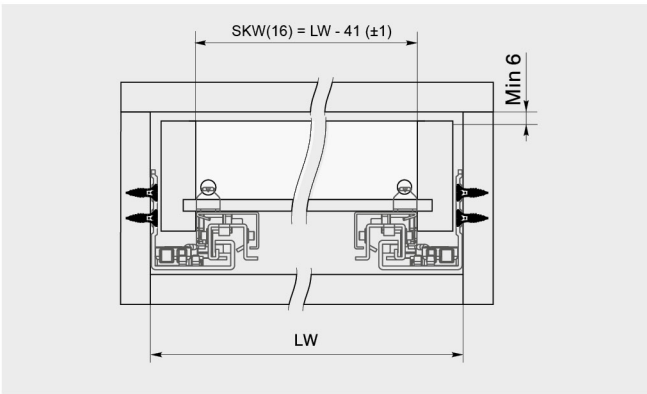
- Main material: galvanized sheet.
- Max loading capacity: 30kg.
- Life guarantee: 50,000 cycles.
- Thickness of board:  $\leq 16\text{mm}$ .
- Adjustable opening and closing strength: +25%

### Installation dimensions



LT - Cabinet inner depth  
 NL - Nominal slide length  
 X - Board thickness

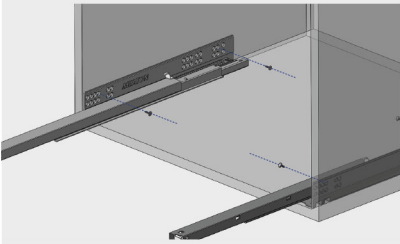
## 3-Fold concealed **soft-closing** drawer slide(16mm with handle)



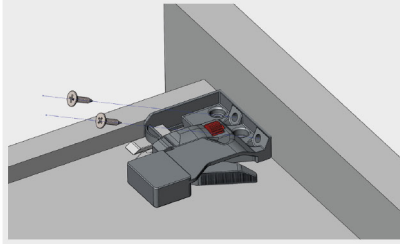
LW - Cabinet inner width  
SKW(16) - Drawer inner width ( $\leq 16$ mm drawer side thickness)

### Installation

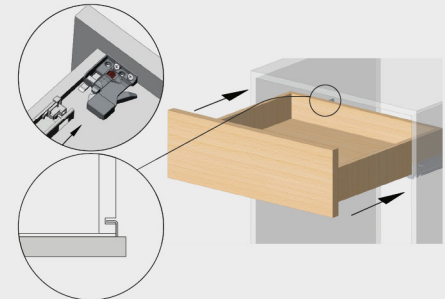
1. Install the slides on the cabinet



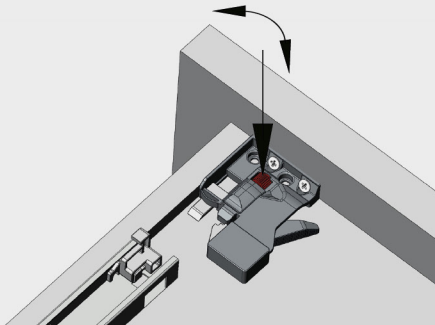
2. Install left/ right handle in the front of the drawer



3. Install the drawer on the slides, slide hooks insert into the pre-drilled holes on the drawer back panel

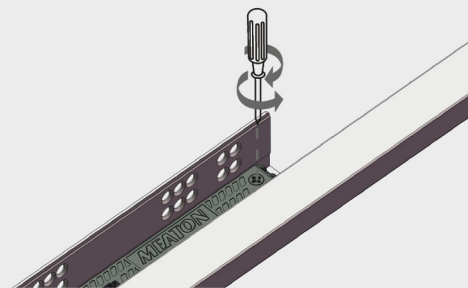


4. Adjust the front panel with plastic wheel on the handle, 0-2.5mm

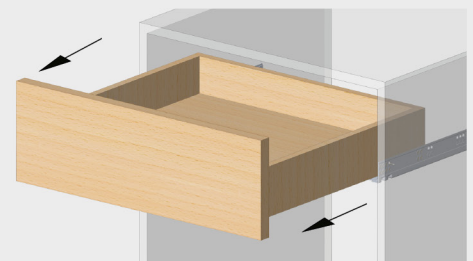
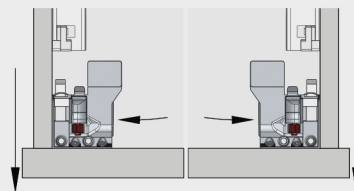
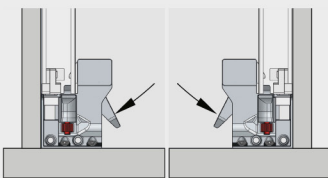


5. Adjustable opening and closing mechanism:

When the drawer takes more than 25kg, adjust the eccentric screw on the damper, max 25% more strength will be applied, so that make the movement smooth.



6. Push the handle lever to unlock the drawer, then pull out the drawer



# SOFT - CLOSING

## DY5331 & DH5331(Synchronized)

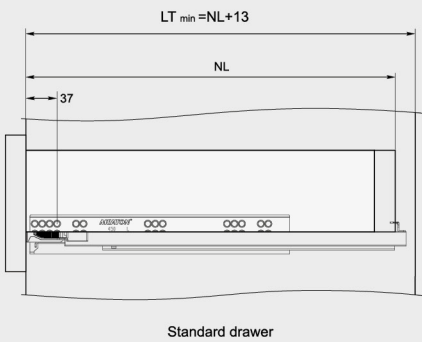
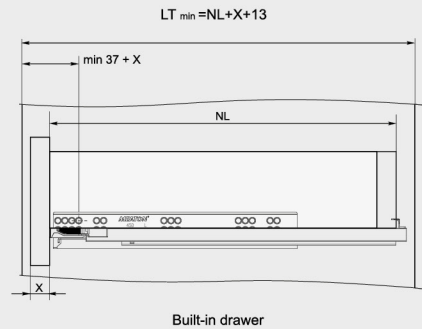
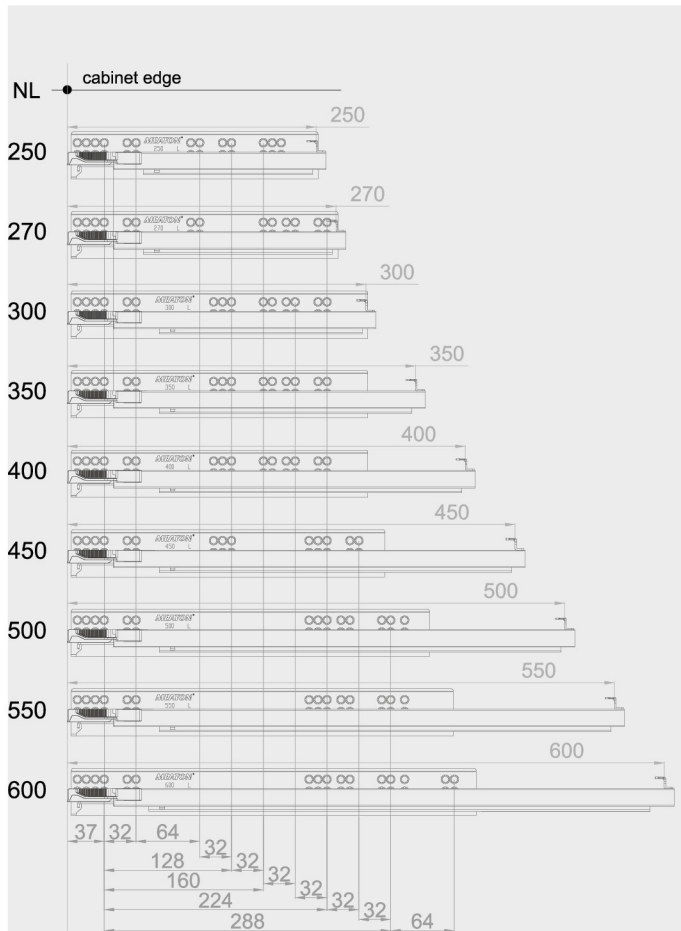
3-Fold concealed drawer slide(19mm with handle)



### Technical specifications:

- Main material: galvanized sheet.
- Max loading capacity: 30kg.
- Life guarantee: 50,000 cycles.
- Thickness of board:  $\leq 19\text{mm}$ .
- Adjustable opening and closing strength: +25%

### Installation dimensions

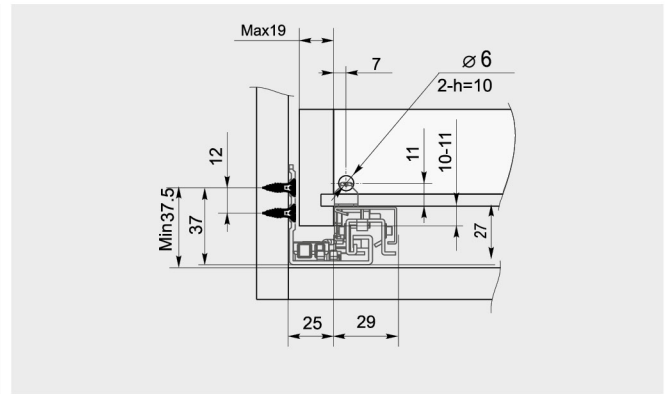
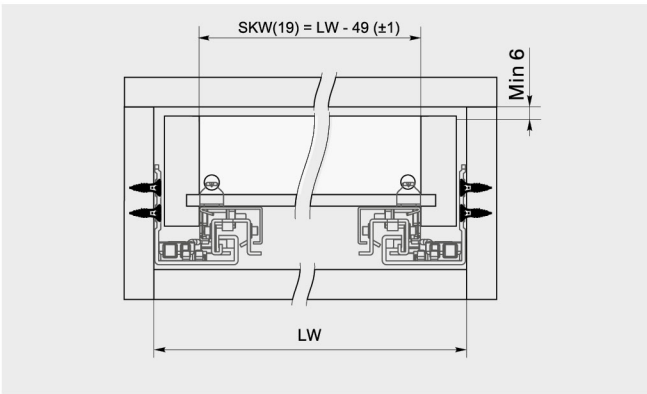


LT - Cabinet inner depth  
 NL - Nominal slide length  
 X - Board thickness



Undermount Slide

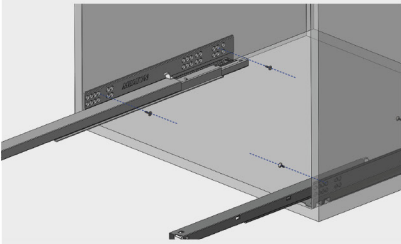
## 3-Fold concealed soft-closing drawer slide(19mm with handle)



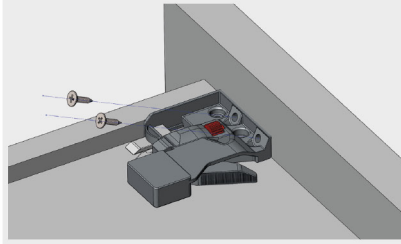
LW - Cabinet inner width  
SKW(19) - Drawer inner width(≤19mm drawer side thickness)

### Installation

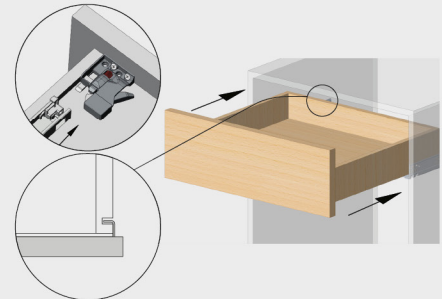
1. Install the slides on the cabinet



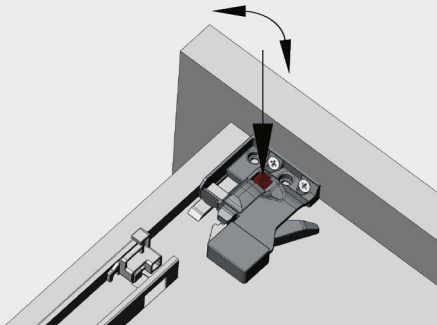
2. Install left/ right handle in the front of the drawer



3. Install the drawer on the slides, slide hooks insert into the pre-drilled holes on the drawer back panel

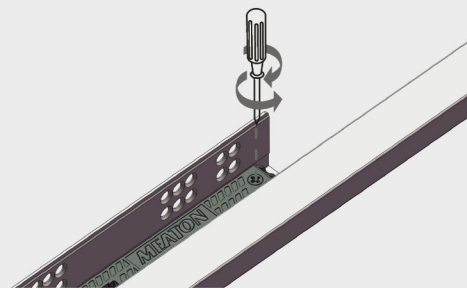


4. Adjust the front panel with plastic wheel on the handle, 0-2.5mm

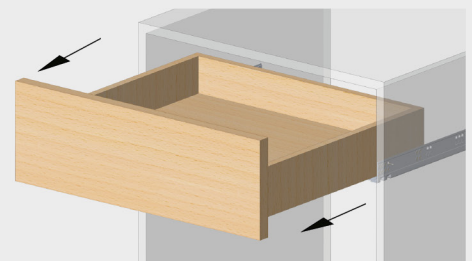
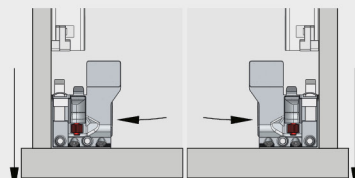
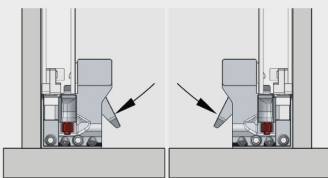


5. Adjustable opening and closing mechanism:

When the drawer takes more than 25kg, adjust the eccentric screw on the damper, max 25% more strength will be applied, so that make the movement smooth.



6. Push the handle lever to unlock the drawer, then pull out the drawer



# SOFT - CLOSING

## DY3341 & DH3341(Synchronized)

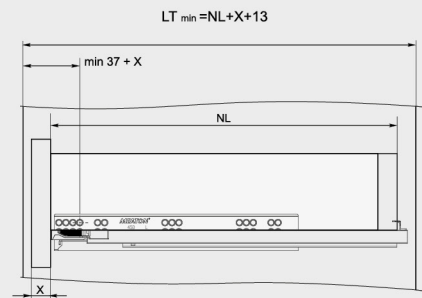
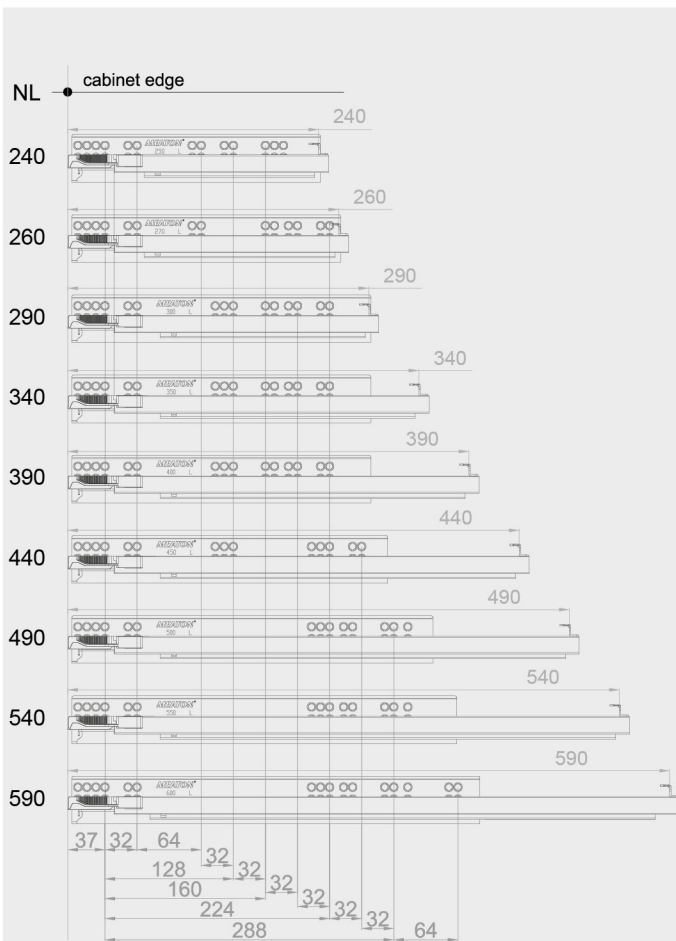
### 3-Fold concealed drawer slide(16mm with handle)



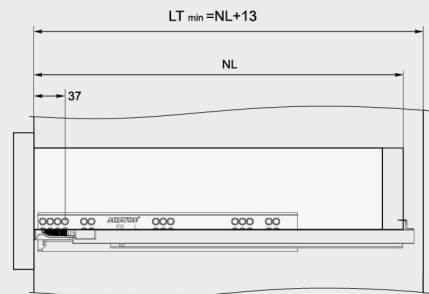
#### Technical specifications:

- Main material: galvanized sheet.
- Max loading capacity: 30kg.
- Life guarantee: 50,000 cycles.
- Thickness of board:  $\leq 16\text{mm}$ .
- Adjustable opening and closing strength: +25%

#### Installation dimensions



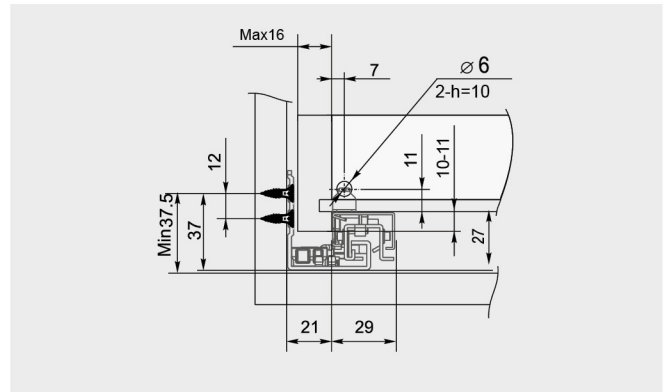
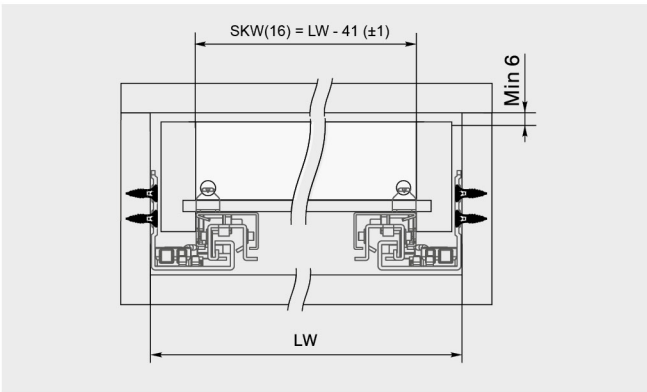
Built-in drawer



Standard drawer

LT - Cabinet inner depth  
 NL - Nominal slide length  
 X - Board thickness

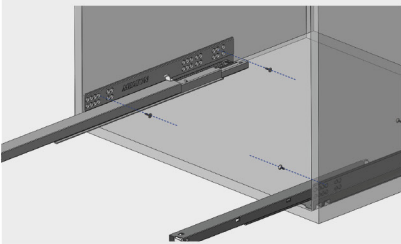
## 3-Fold concealed **soft-closing** drawer slide( 16mm with handle)



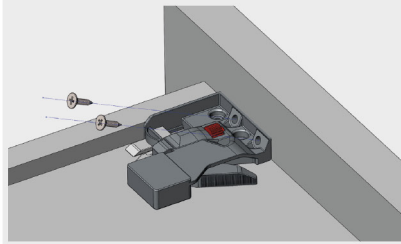
LW - Cabinet inner width  
SKW(16) - Drawer inner width( $\leq 16$ mm drawer side thickness)

### Installation

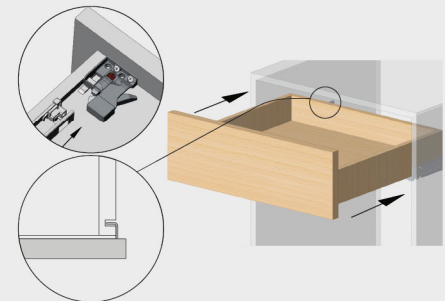
1. Install the slides on the cabinet



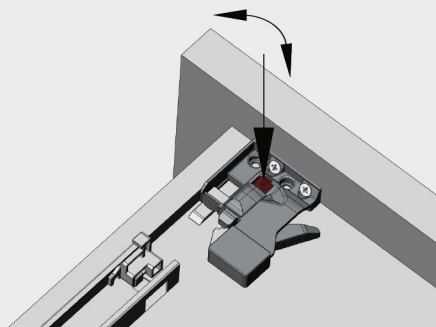
2. Install left/ right handle in the front of the drawer



3. Install the drawer on the slides, slide hooks insert into the pre-drilled holes on the drawer back panel

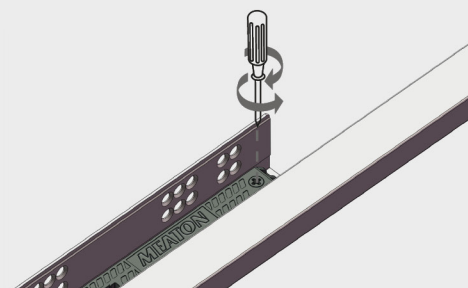


4. Adjust the front panel with plastic wheel on the handle, 0-2.5mm

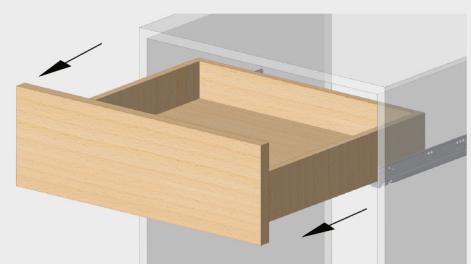
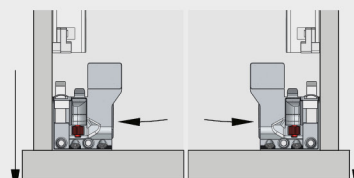
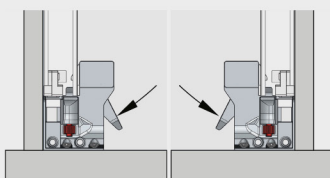


5. Adjustable opening and closing mechanism:

When the drawer takes more than 25kg, adjust the eccentric screw on the damper, max 25% more strength will be applied, so that make the movement smooth.



6. Push the handle lever to unlock the drawer, then pull out the drawer





# SOFT - CLOSING

## DY5341 & DH5341(Synchronized)

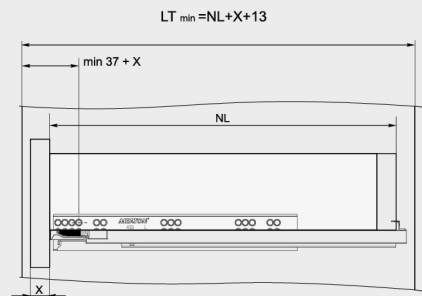
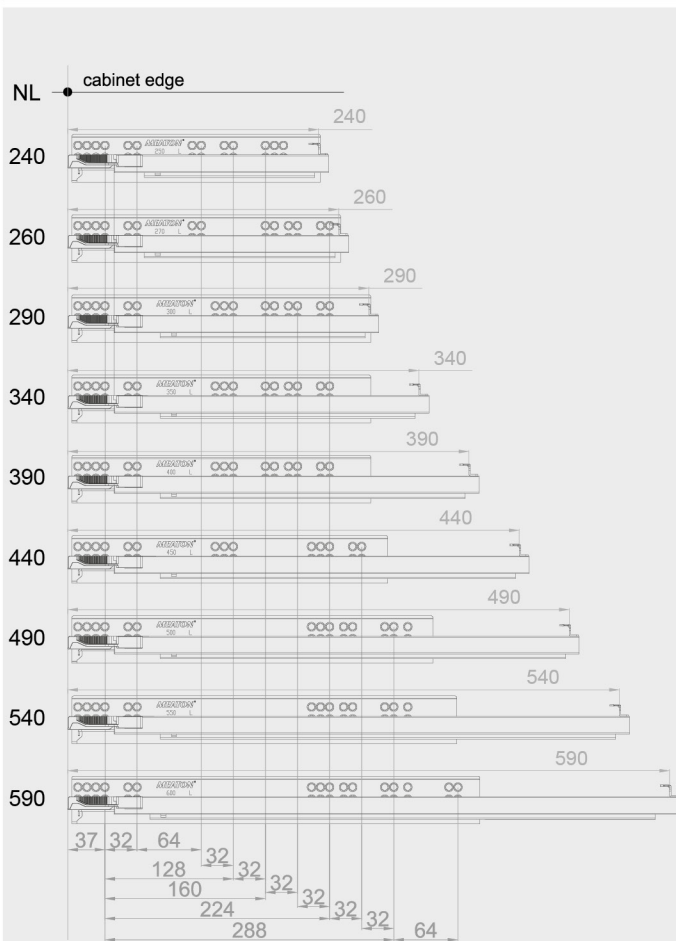
3-Fold concealed drawer slide(19mm with handle)



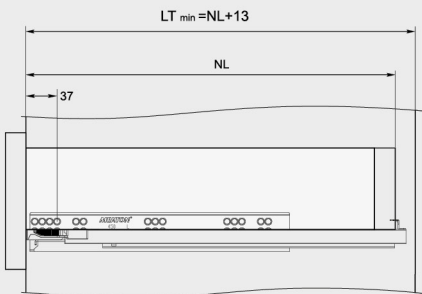
### Technical specifications:

- Main material: galvanized sheet.
- Max loading capacity: 30kg.
- Life guarantee: 50,000 cycles.
- Thickness of board:  $\leq 19\text{mm}$ .
- Adjustable opening and closing strength: +25%

### Installation dimensions



Built-in drawer

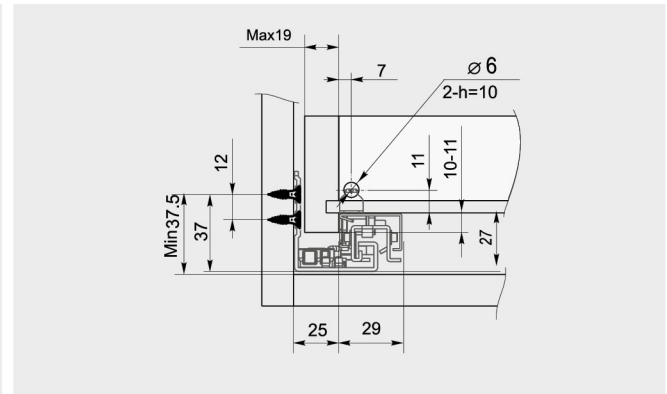
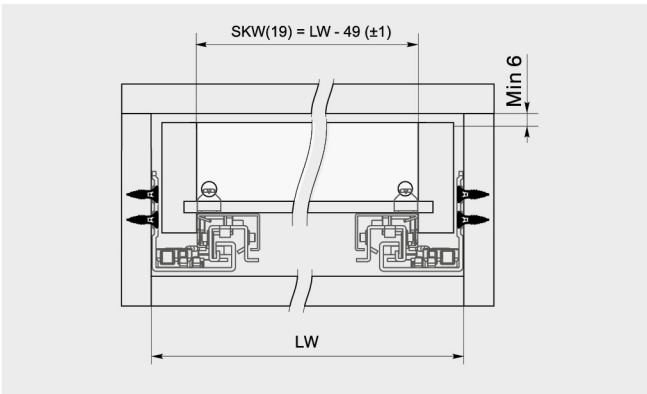


Standard drawer

LT - Cabinet inner depth  
 NL - Nominal slide length  
 X - Board thickness



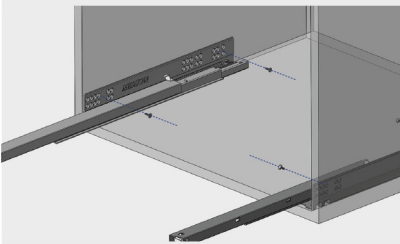
## 3-Fold concealed **soft-closing** drawer slide(19mm with handle)



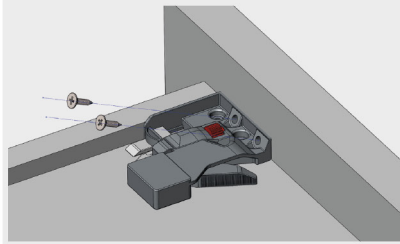
LW - Cabinet inner width  
SKW(19) - Drawer inner width (≤19mm drawer side thickness)

### Installation

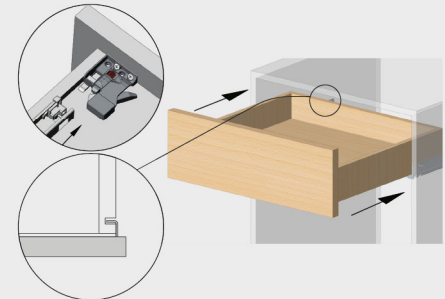
1. Install the slides on the cabinet



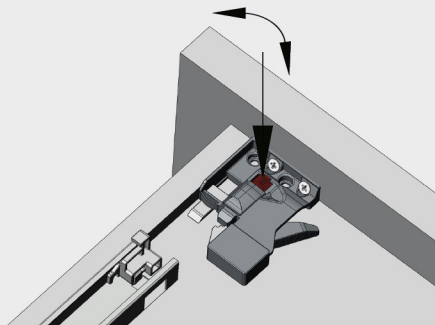
2. Install left/ right handle in the front of the drawer



3. Install the drawer on the slides, slide hooks insert into the pre-drilled holes on the drawer back panel

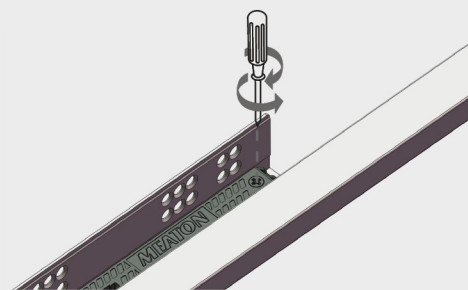


4. Adjust the front panel with plastic wheel on the handle, 0-2.5mm

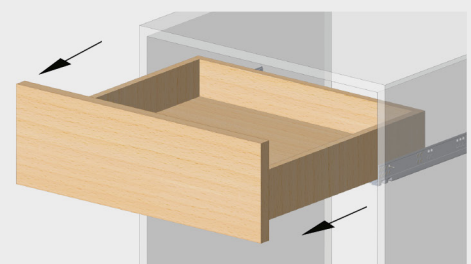
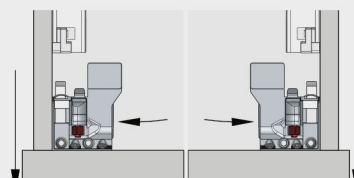
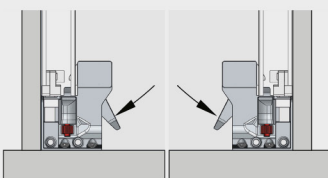


5. Adjustable opening and closing mechanism:

When the drawer takes more than 25kg, adjust the eccentric screw on the damper, max 25% more strength will be applied, so that make the movement smooth.



6. Push the handle lever to unlock the drawer, then pull out the drawer



# SOFT - CLOSING

**DY3326**

3-Fold concealed drawer slide(16mm with handle) - American type



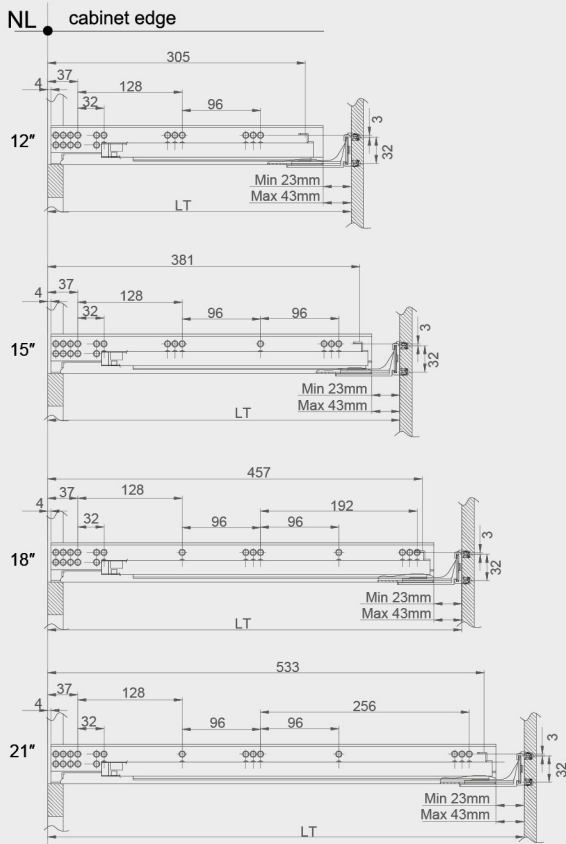
PN with this handle DY3326

PN with this handle DY3317

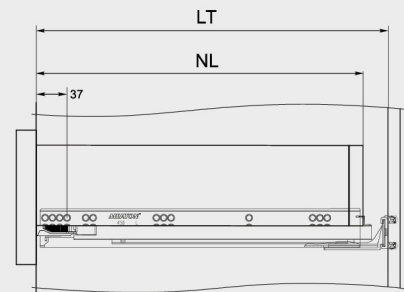
### Technical specifications:

- Main material: galvanized sheet.
- Max loading capacity: 30kg.
- Life guarantee: 50,000 cycles.
- Thickness of board:  $\leq 16\text{mm}$ .
- Adjustable opening and closing strength: +25%

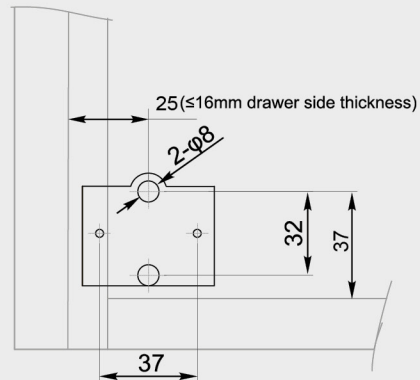
### Installation dimensions



NL	NL	Min LT	Max LT
12"	305	338	358
15"	381	416	436
18"	457	494	514
21"	533	568	588

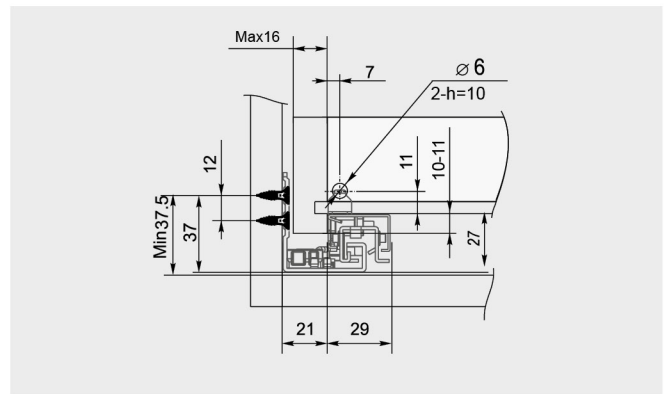
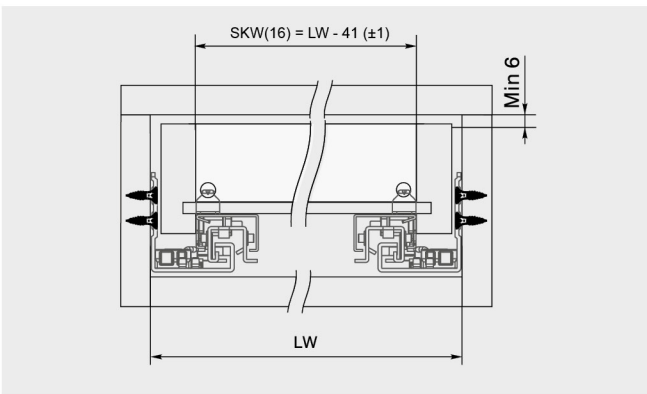


Standard drawer  
NL - nominal slide length



LT - Cabinet inner depth  
NL - Nominal slide length  
X - Board thickness

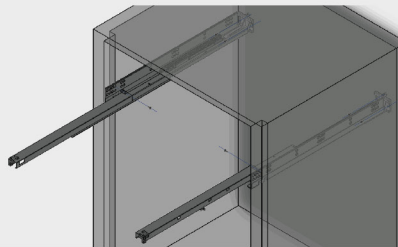
## 3-Fold concealed **soft-closing** drawer slide(16mm with handle) - American type



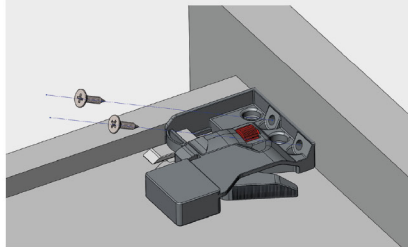
LW - Cabinet inner width  
SKW(16) - Drawer inner width(≤16mm drawer side thickness)

### Installation

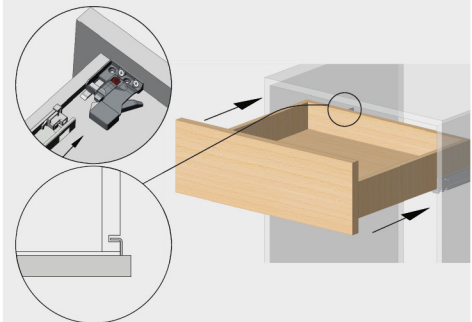
1. Install the slides on the cabinet



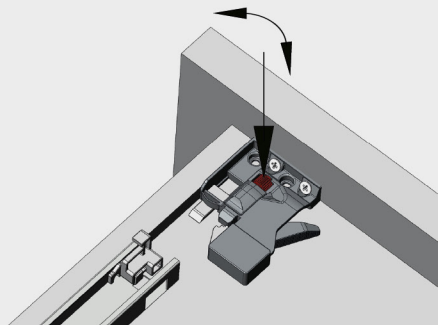
2. Install left/ right handle in the front of the drawer



3. Install the drawer on the slides, slide hooks insert into the pre-drilled holes on the drawer back panel

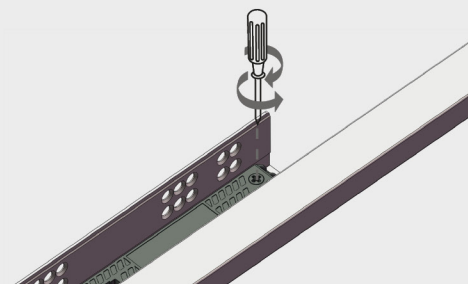


4. Adjust the front panel with plastic wheel on the handle, 0-2.5mm

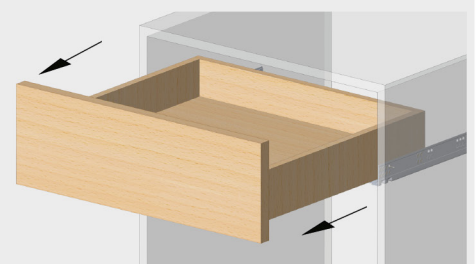
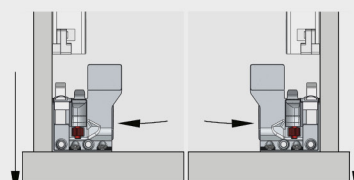
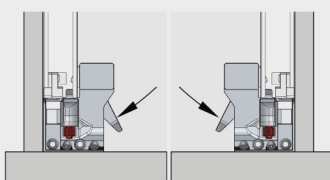


5. Adjustable opening and closing mechanism:

When the drawer takes more than 25kg, adjust the eccentric screw on the damper, max 25% more strength will be applied, so that make the movement smooth.



6. Push the handle lever to unlock the drawer, then pull out the drawer



# SOFT - CLOSING

**DY5326**

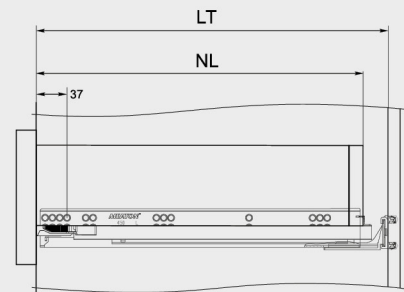
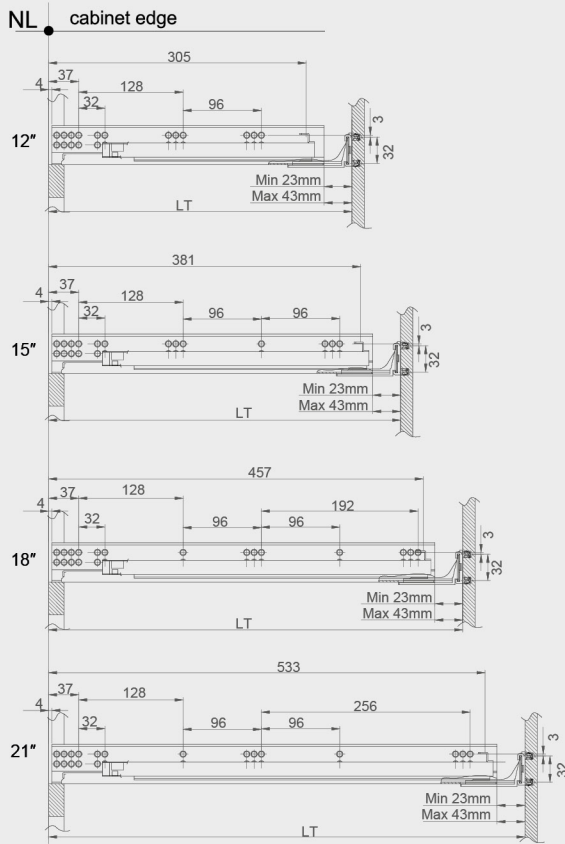
3-Fold concealed drawer slide(19mm with handle) - American type



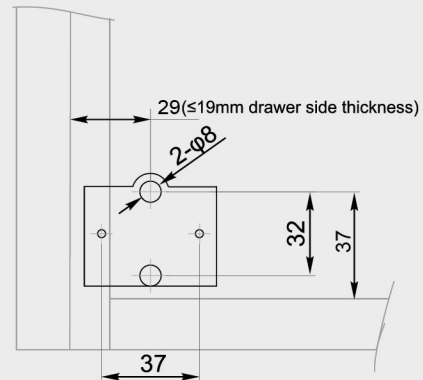
## Technical specifications:

- Main material: galvanized sheet.
- Max loading capacity: 30kg.
- Life guarantee: 50,000 cycles.
- Thickness of board:  $\leq 19\text{mm}$ .
- Adjustable opening and closing strength: +25%

## Installation dimensions



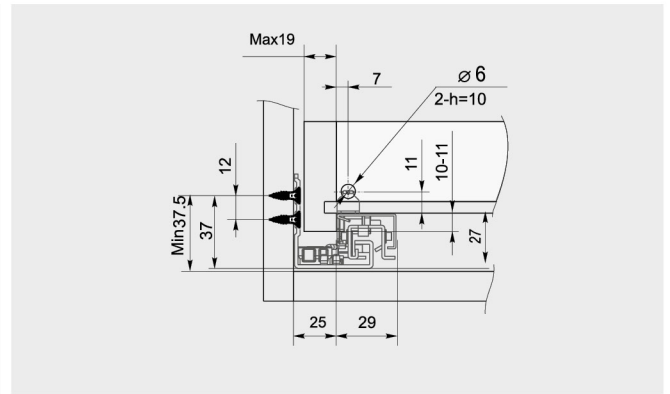
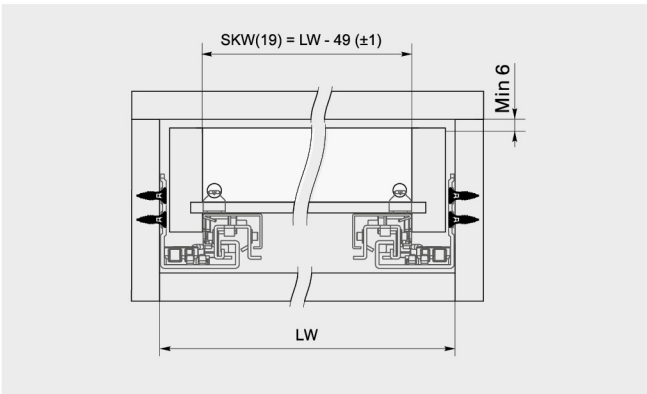
Standard drawer  
NL - nominal slide length



LT - Cabinet inner depth  
NL - Nominal slide length  
X - Board thickness



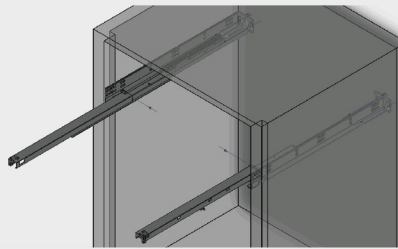
## 3-Fold concealed **soft-closing** drawer slide(19mm with handle) - American type



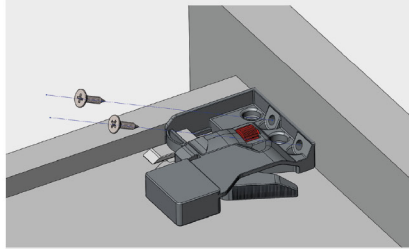
LW - Cabinet inner width  
SKW(19) - Drawer inner width(≤19mm drawer side thickness)

### Installation

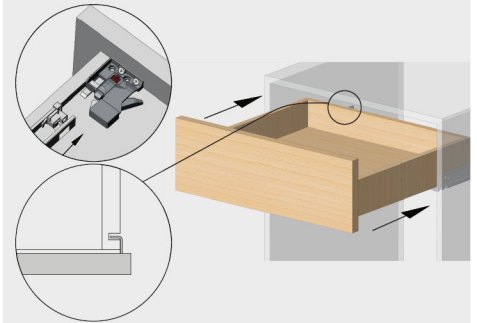
1. Install the slides on the cabinet



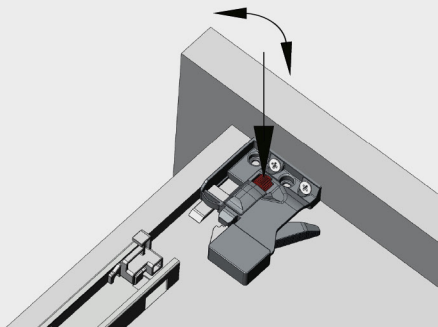
2. Install left/ right handle in the front of the drawer



3. Install the drawer on the slides, slide hooks insert into the pre-drilled holes on the drawer back panel

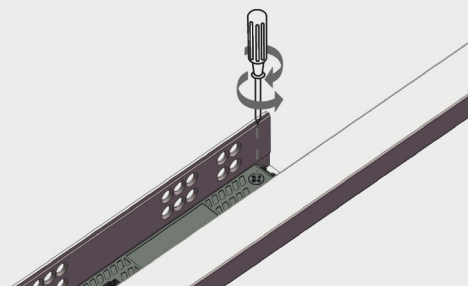


4. Adjust the front panel with plastic wheel on the handle, 0-2.5mm

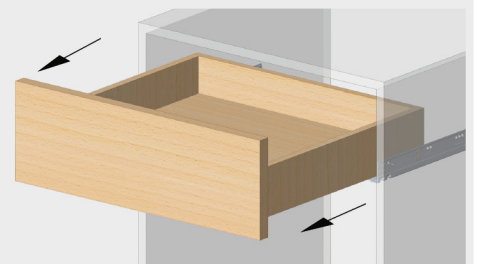
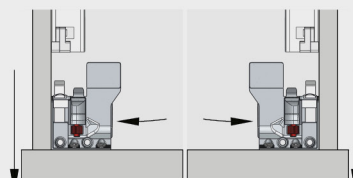
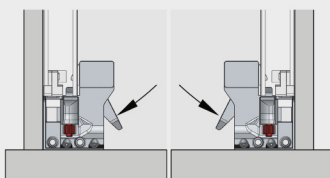


5. Adjustable opening and closing mechanism:

When the drawer takes more than 25kg, adjust the eccentric screw on the damper, max 25% more strength will be applied, so that make the movement smooth.



6. Push the handle lever to unlock the drawer, then pull out the drawer



# SOFT - CLOSING

## DY6201

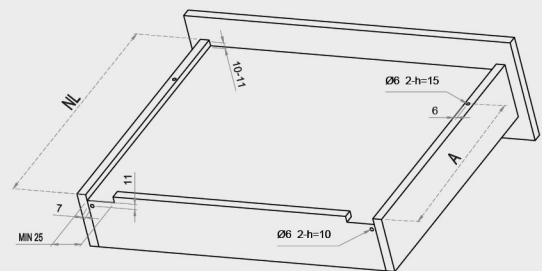
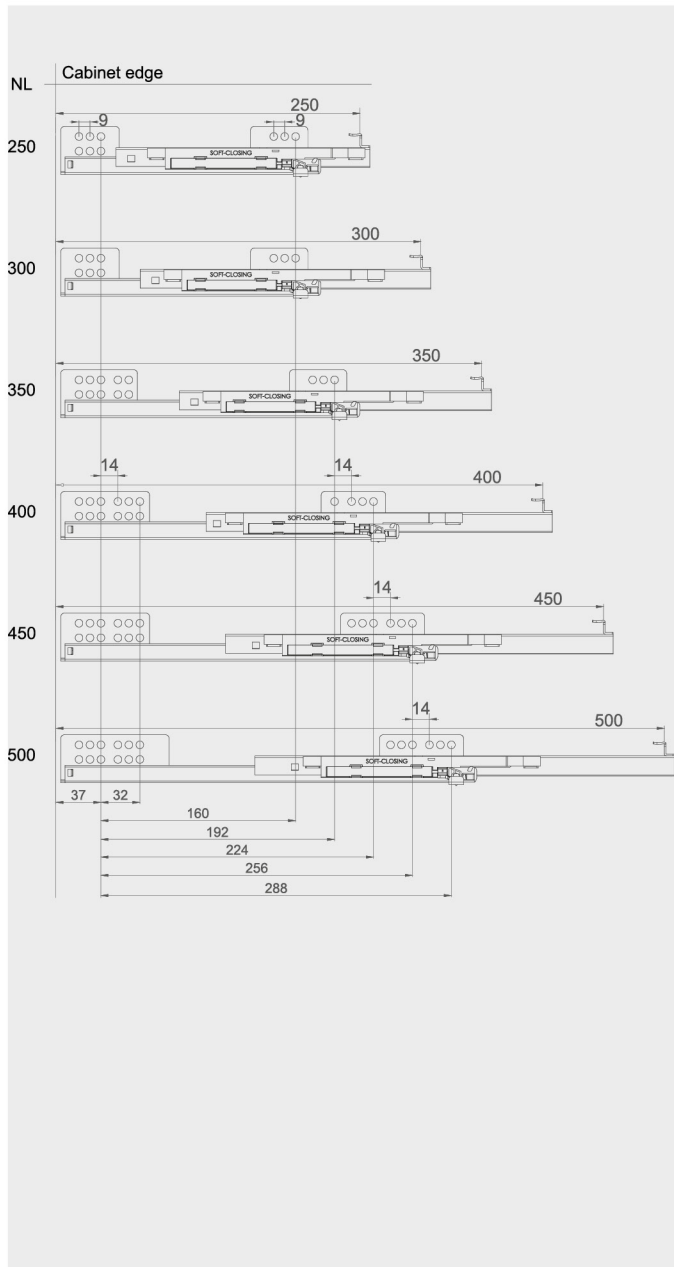
2-Fold light concealed drawer slide(16mm with bolt locking)



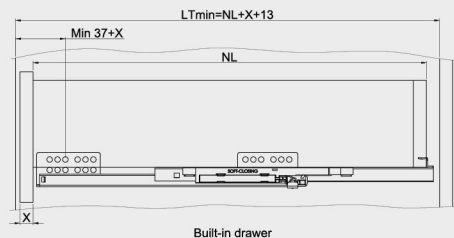
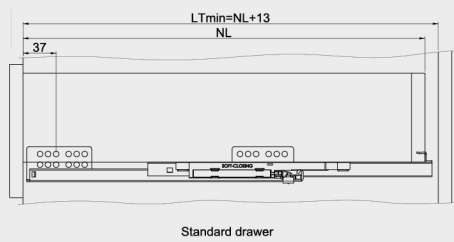
### Technical specifications:

- Main material: galvanized sheet.
- Max loading capacity: 20kg.
- Life guarantee: 40,000 cycles.
- Thickness of board: ≤16mm.

### Installation dimensions

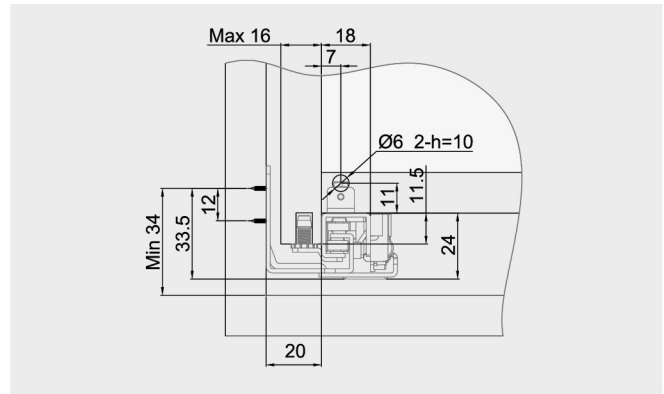
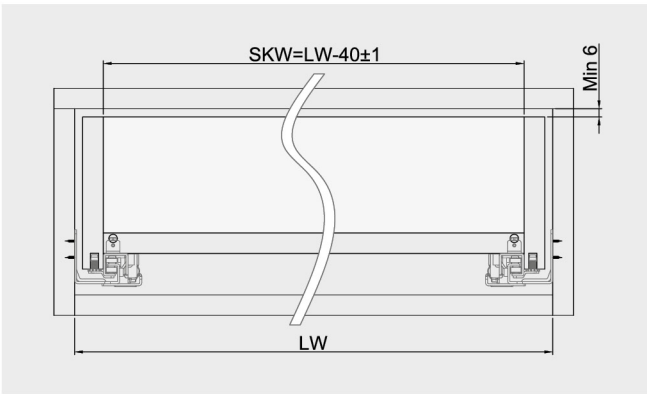


NL	250	300	350	400	450	500
A	188.5	188.5	221.5	249.5	283.5	309.5



LT - Cabinet inner depth  
 NL - Nominal slide length  
 X - Board thickness

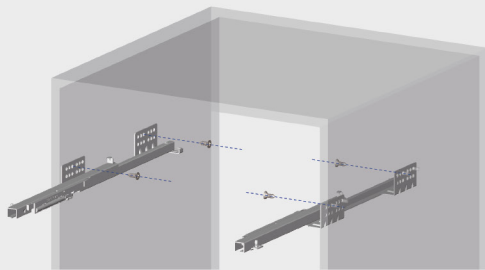
**2-Fold light concealed soft-closing drawer slide(16mm with bolt locking)**



LW - Cabinet inner width  
 SKW(16) - Drawer inner width( $\leq 16\text{mm}$  drawer side thickness)

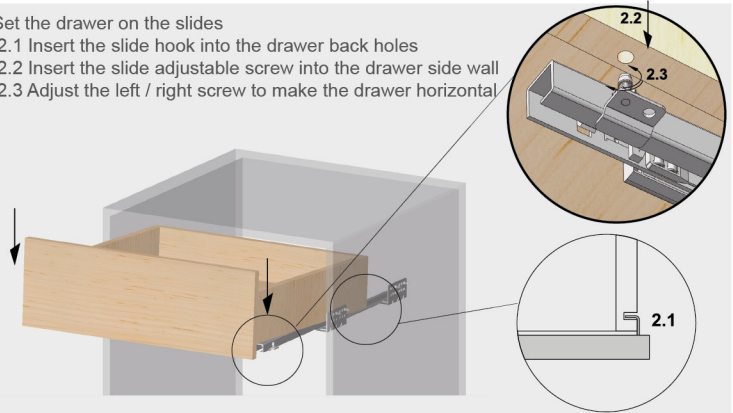
**Installation**

1. Insert the slides into the cabinet



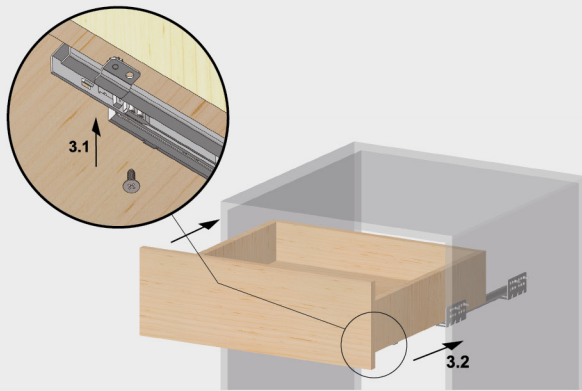
2. Set the drawer on the slides

- 2.1 Insert the slide hook into the drawer back holes
- 2.2 Insert the slide adjustable screw into the drawer side wall
- 2.3 Adjust the left / right screw to make the drawer horizontal



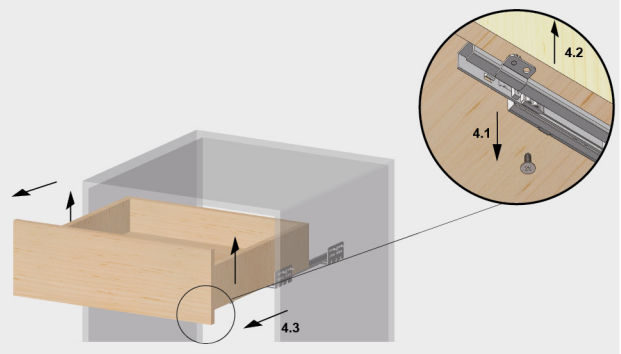
3. Fixing the drawer and slides

- 3.1 Insert the tapping screws into the corresponding holes on the left / right slides and tap into the drawer
- 3.2 Close the drawer



4. Disassembly of the drawer

- 4.1 Take out the tapping screw to separate the drawer from the slides
- 4.2 Take up the drawer
- 4.3 Draw out the drawer

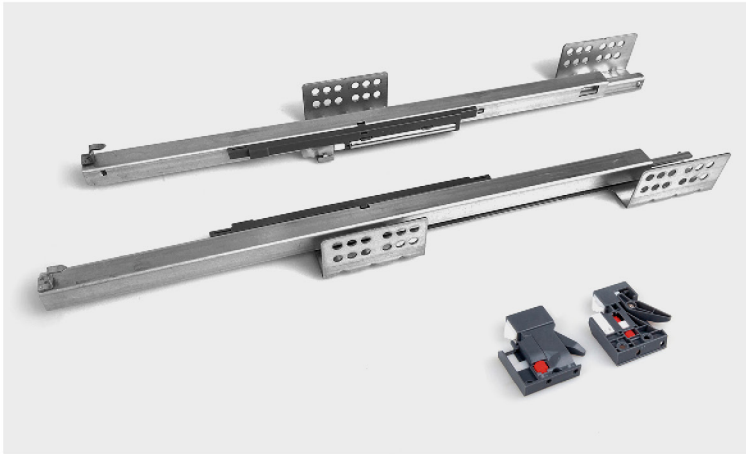




# SOFT - CLOSING

**DY6331**

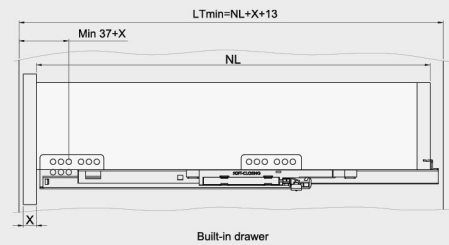
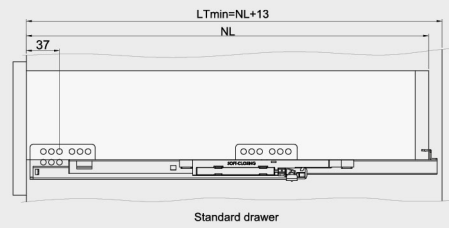
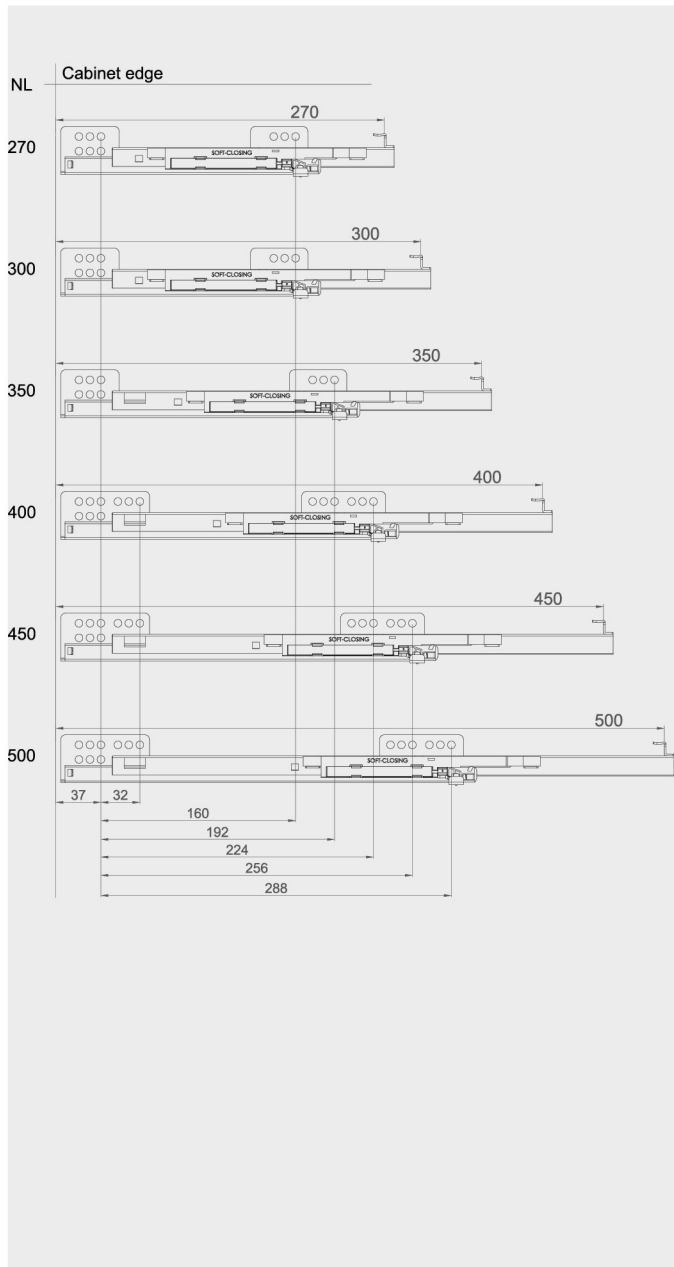
2-Fold light concealed drawer slide(16mm with handle)



## Technical specifications:

- Main material: galvanized sheet.
- Max loading capacity: 20kg.
- Life guarantee: 40,000 cycles.
- Thickness of board:  $\leq 16\text{mm}$ .

## Installation dimensions

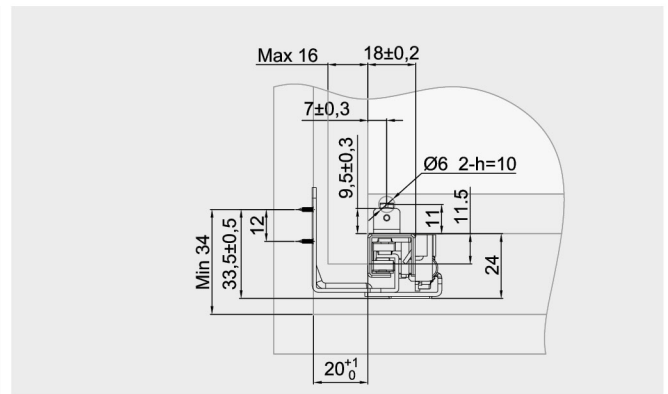
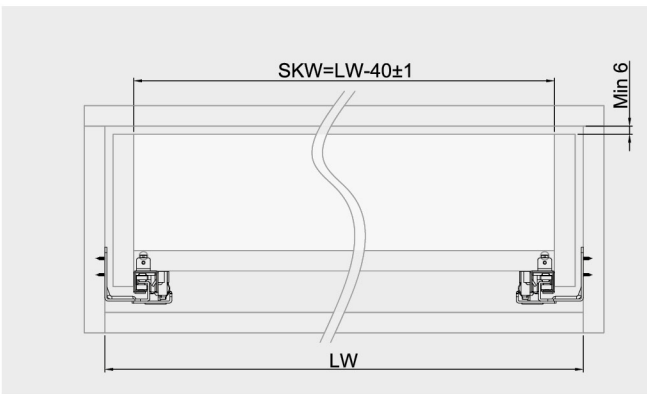


LT - Cabinet inner depth  
 NL - Nominal slide length  
 X - Board thickness



Undermount Slide

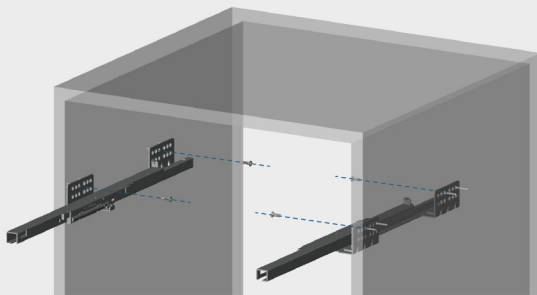
## 2-Fold light concealed **soft-closing** drawer slide(16mm with handle)



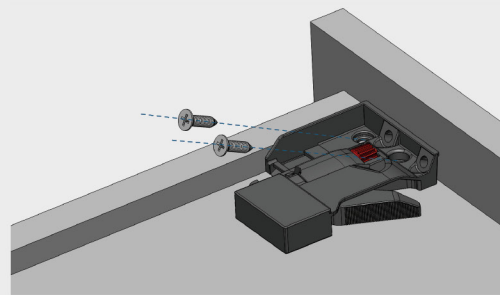
LW - Cabinet inner width  
SKW(16) - Drawer inner width( $\leq 16$ mm drawer side thickness)

### Installation

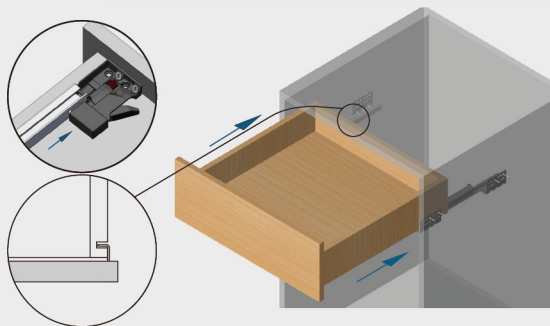
1. Install the slides on the cabinet



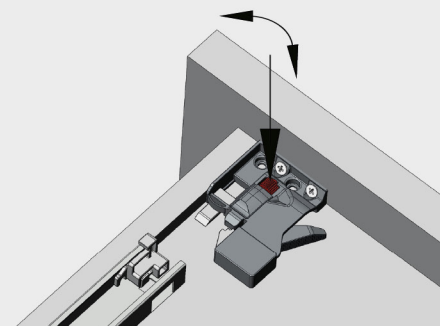
2. Install left/ right handle in the front of the drawer



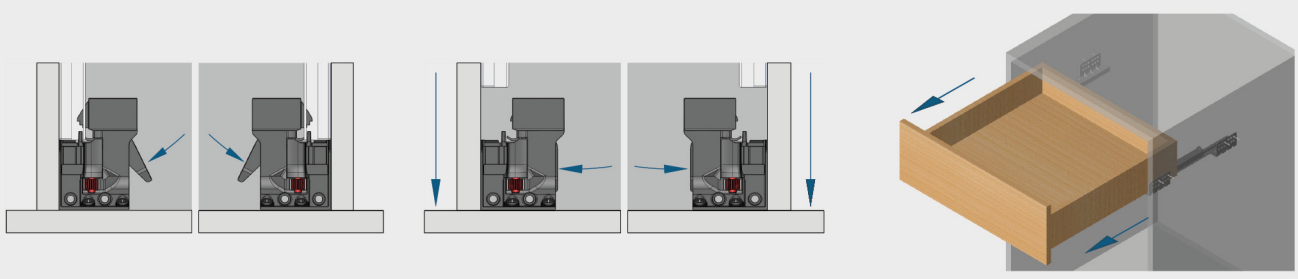
3. Install the drawer on the slides, slide hooks insert into the pre-drilled holes on the drawer back panel



4. Adjust the front panel with plastic wheel on the handle, 0-2.5mm



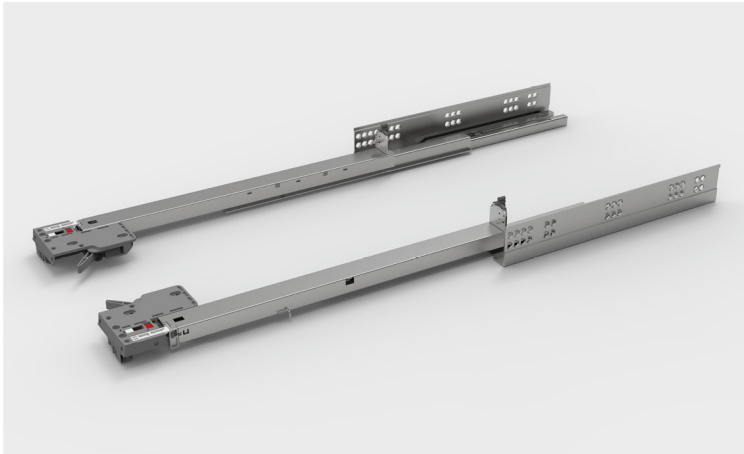
5. Push the handle lever to unlock the drawer, then pull out the drawer



# SOFT - CLOSING

## DH3320

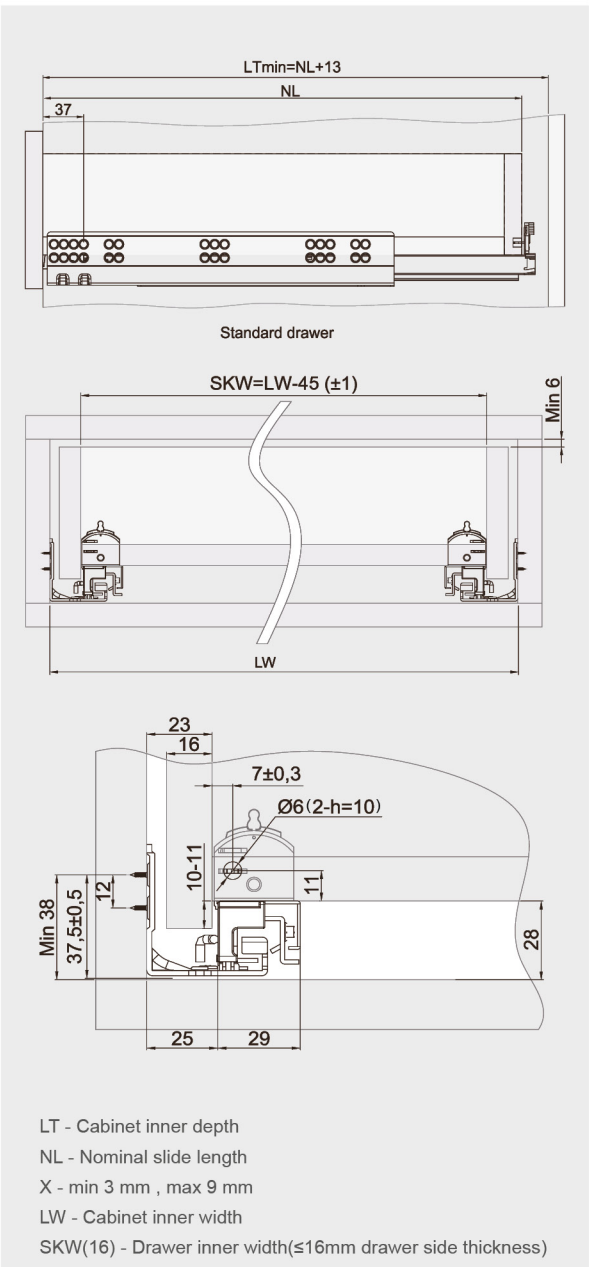
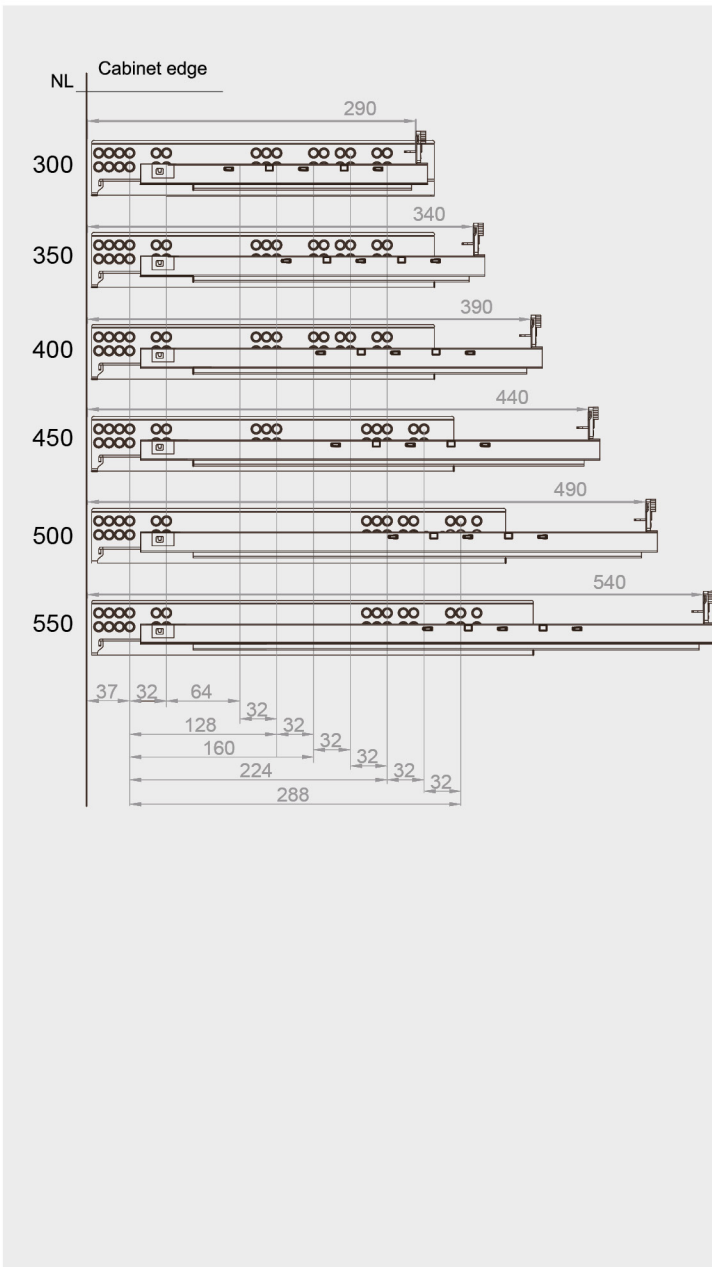
Full extension synchronized soft-close with handle



### Technical specifications:

- Main material: galvanized sheet.
- Max loading capacity: 40kg.
- Life guarantee: 80,000 cycles.
- Thickness of board:  $\leq 16\text{mm}$ .

### Installation dimensions



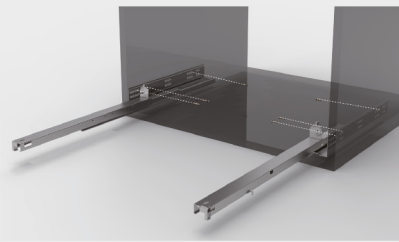
LT - Cabinet inner depth  
 NL - Nominal slide length  
 X - min 3 mm , max 9 mm  
 LW - Cabinet inner width  
 SKW(16) - Drawer inner width( $\leq 16\text{mm}$  drawer side thickness)



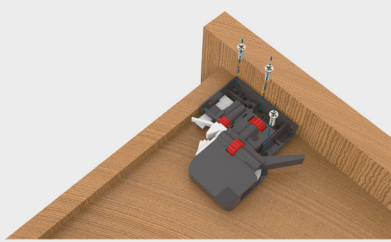
Undermount Slide

## Full extension synchronized soft-closing with handle

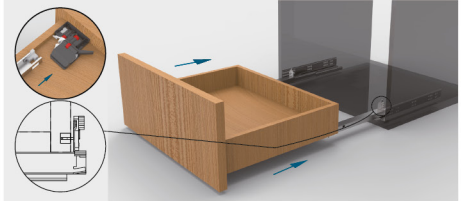
1. Install the slides on the cabinet



2. Install left/ right handle in the front of the drawer

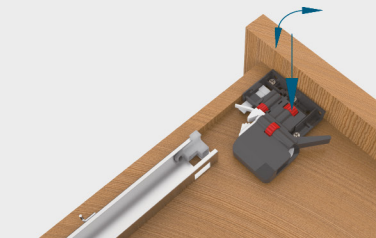
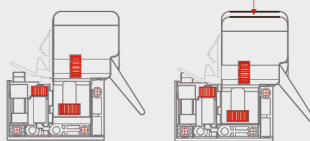


3. Install the drawer on the slides, slide hooks insert into the pre-drilled holes on the drawer back panel

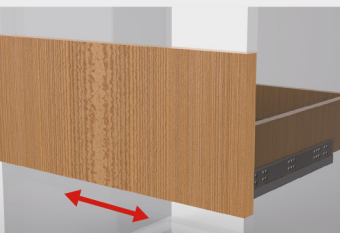
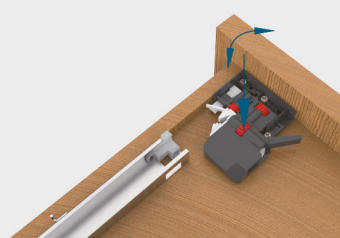
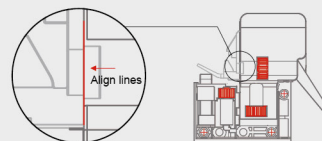


4. Adjust the front panel with plastic wheels on the handle.  
4.1 Front and back adjustment +4mm.

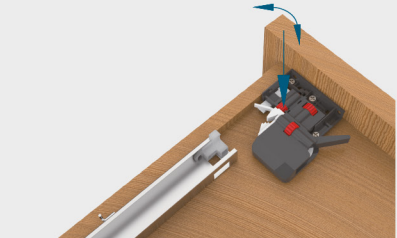
Factory location      Adjustable maximum location



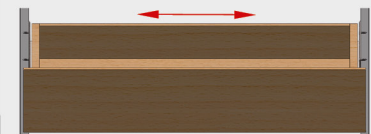
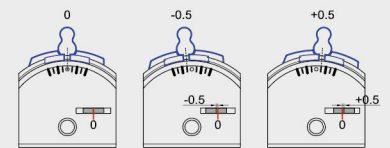
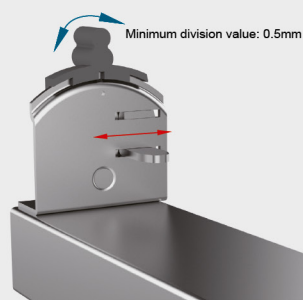
4.2 Left and right adjustment  $\pm 2\text{mm}$ .



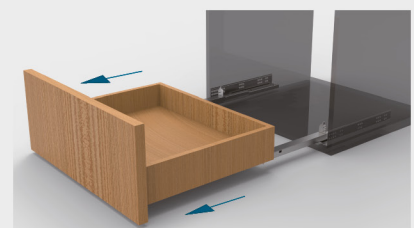
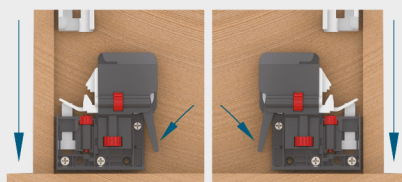
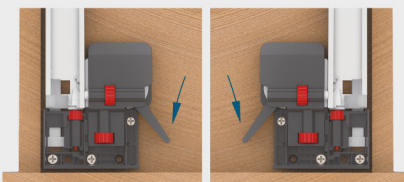
4.3 Up and down adjustment 0-3mm.



5. Rotate the dial behind the tail hook (both left and right sides at the same time: clockwise or counterclockwise), so as to achieve the back of the drawer's left and right adjustment  $\pm 2\text{mm}$  (Minimum division value is 0.5mm). This step must be done simultaneously with Step 4.2.



6. Push the handle



# PUSH - OPEN

## DP2201 & DP4201

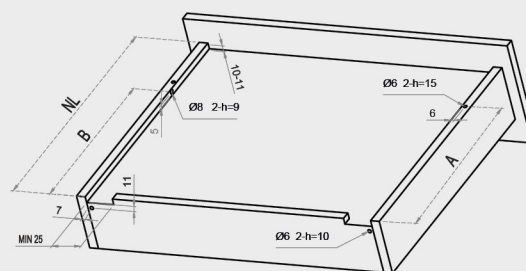
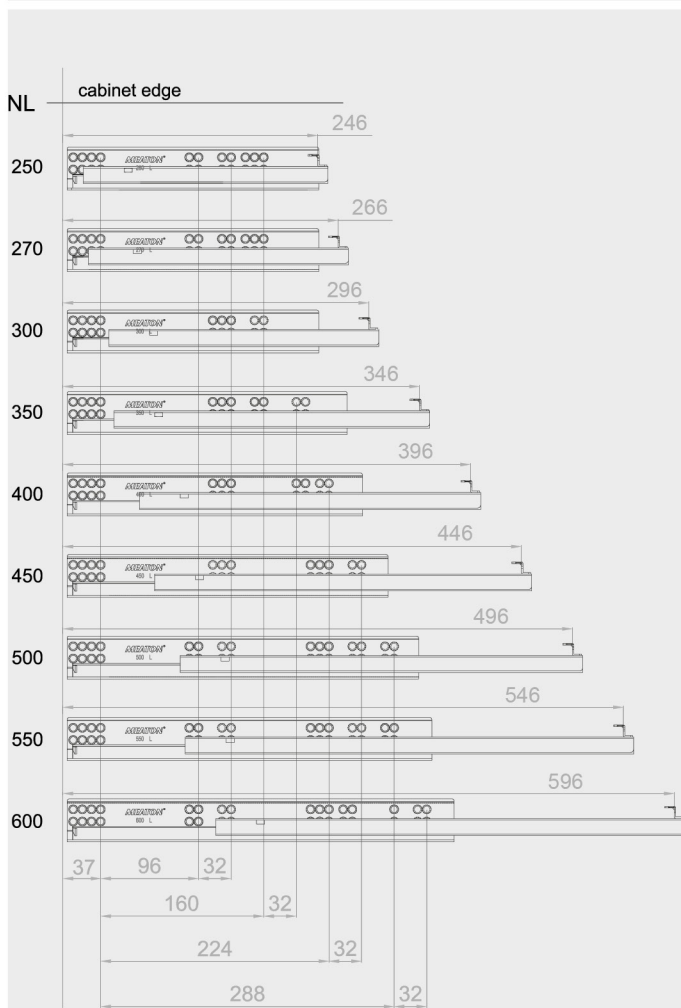
2-Fold concealed drawer slide(with bolt locking)



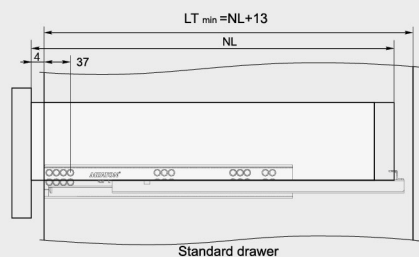
### Technical specifications:

- Main material: galvanized sheet.
- Max loading capacity: 25kg.
- Life guarantee: 50,000 cycles.
- Thickness of board: DP2201: ≤16mm  
DP4201: ≤19mm

### Installation dimensions



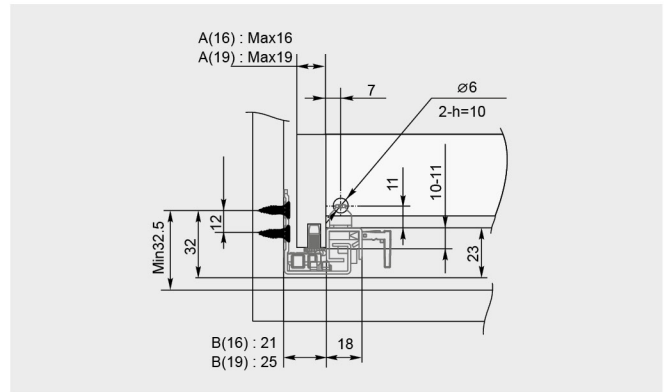
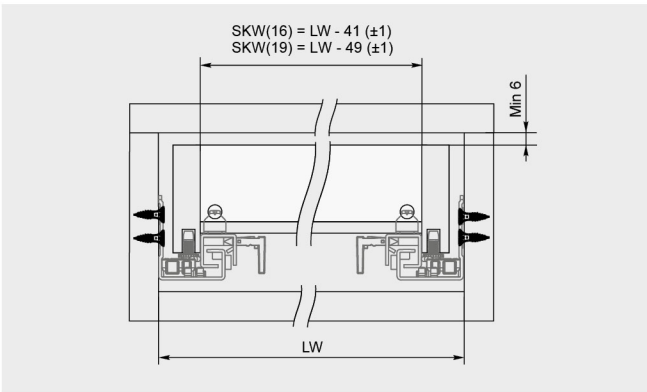
NL	250	270	300	350	400	450	500	550	600
A	206	221	231	276	301	336	361	406	426
B	186	201	211	256	281	316	341	386	406



LT - Cabinet inner depth  
NL - Nominal slide length  
X - Board thickness



## 2-Fold concealed push-open drawer slide(with bolt locking)

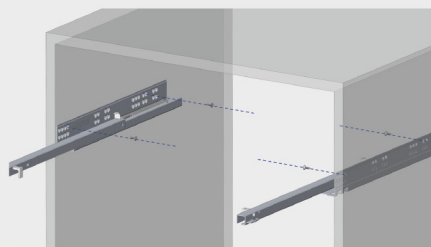


LW - Cabinet inner width  
 SKW(16) - Drawer inner width(≤16mm drawer side thickness)  
 SKW(19) - Drawer inner width(≤19mm drawer side thickness)

A(16) Be used for slide rails with a drawer side  
 A(19) thickness no thinner than 16mm.  
 B(16) Be used for slide rails with a drawer side  
 B(19) thickness no thinner than 19mm.

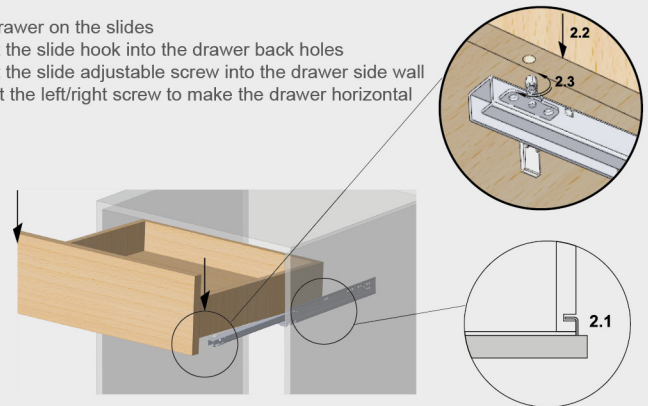
### Installation

1. Install the slides on the cabinet



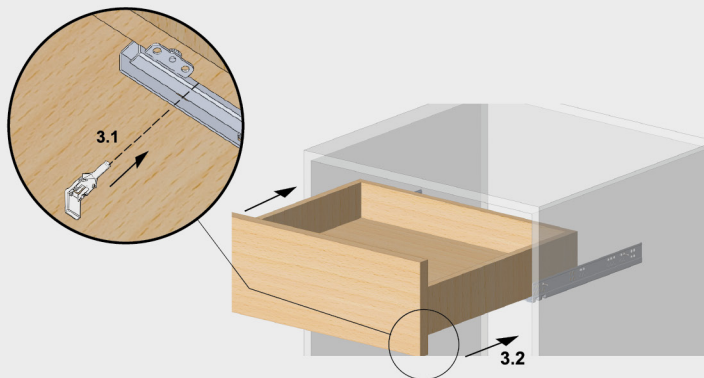
2. Set the drawer on the slides

- 2.1 Insert the slide hook into the drawer back holes
- 2.2 Insert the slide adjustable screw into the drawer side wall
- 2.3 Adjust the left/right screw to make the drawer horizontal



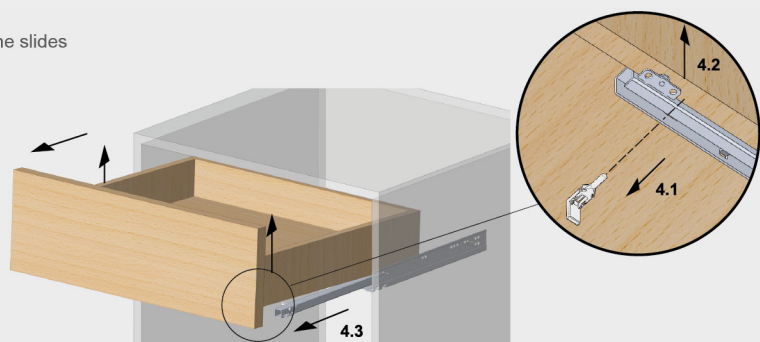
3. Fix the drawer and slides

- 3.1 insert the left/right plastic pins into the pre-drilled holes on the drawer side walls
- 3.2 Close the drawer



4. Disassembly of the drawer

- 4.1 Take out the plastic pin to separate the drawer from the slides
- 4.2 Take up the drawer
- 4.3 Draw out the drawer



# PUSH - OPEN

## DP2221 & DP4221

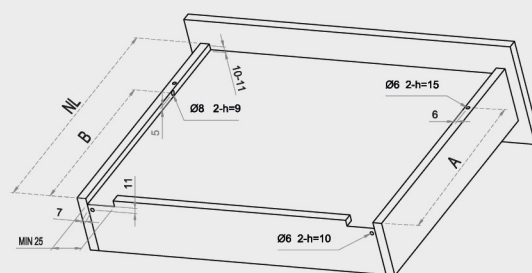
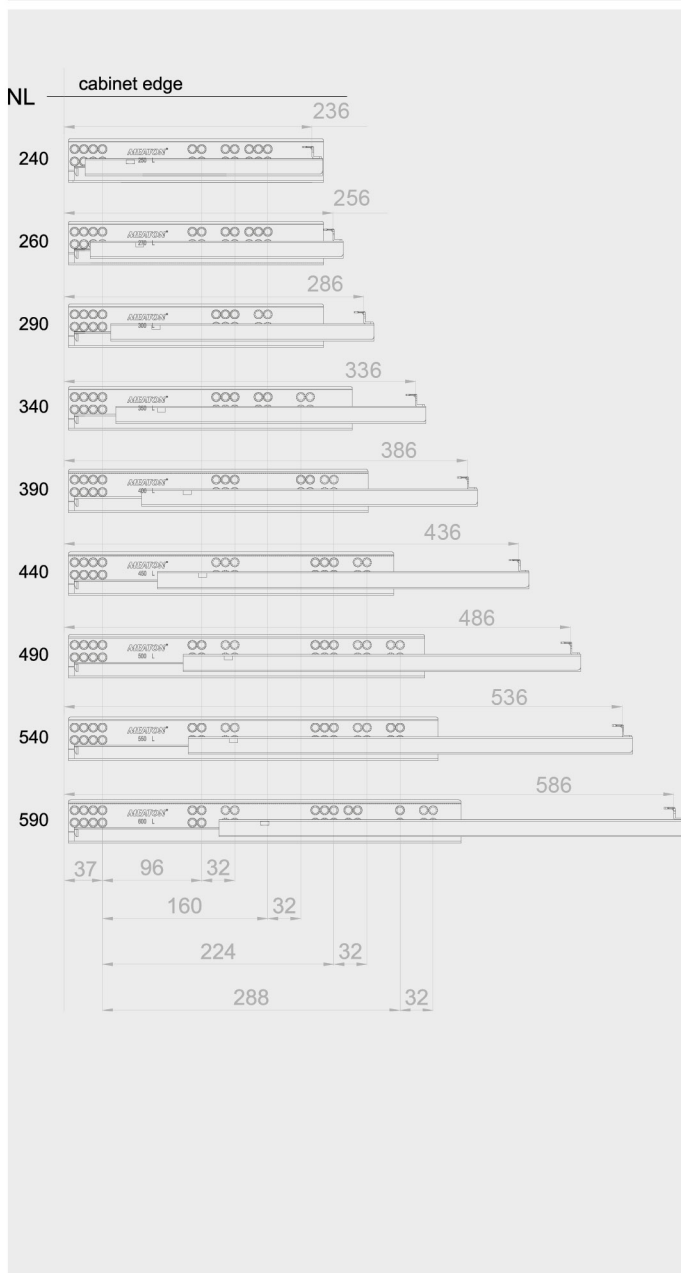
2-Fold concealed drawer slide(with bolt locking)



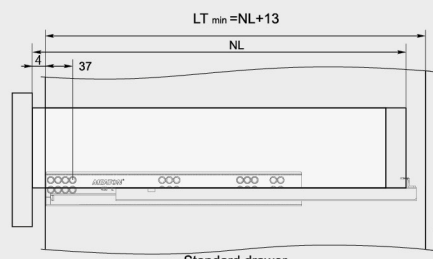
### Technical specifications:

- Main material: galvanized sheet.
- Max loading capacity: 25kg.
- Life guarantee: 50,000 cycles.
- Thickness of board: DP2221: ≤16mm  
DP4221: ≤19mm

### Installation dimensions



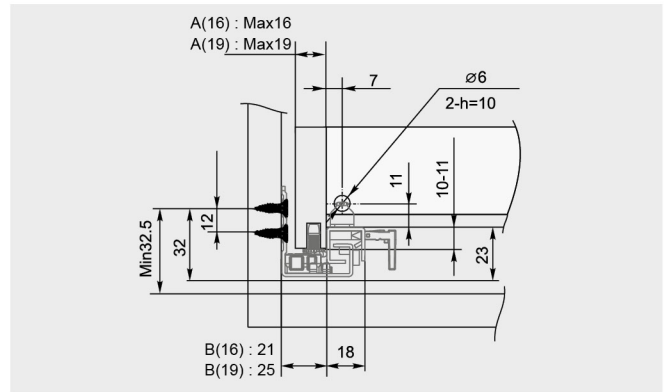
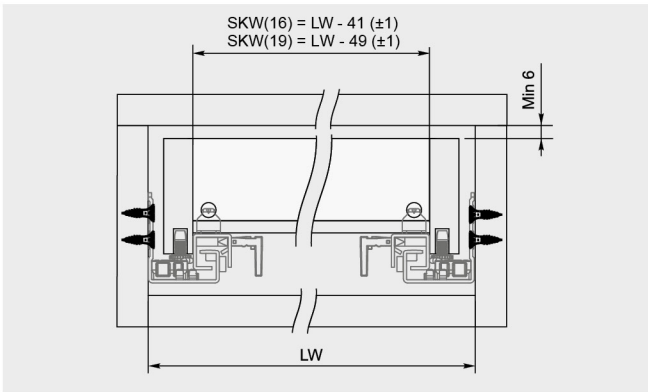
NL	240	260	290	340	390	440	490	540	590
A	220	230	245	270	305	330	355	390	415
B	188	198	213	238	273	298	323	358	383



LT - Cabinet inner depth  
NL - Nominal slide length  
X - Board thickness



## 2-Fold concealed push-open drawer slide(with bolt locking)

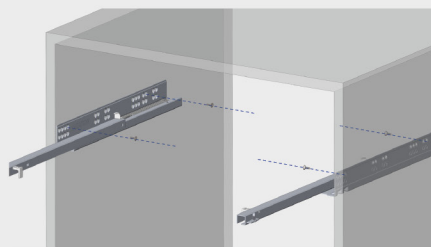


LW - Cabinet inner width  
 SKW(16) - Drawer inner width(≤16mm drawer side thickness)  
 SKW(19) - Drawer inner width(≤19mm drawer side thickness)

A(16) Be used for slide rails with a drawer side thickness no thinner than 16mm.  
 A(19) thickness no thinner than 19mm.  
 B(16) Be used for slide rails with a drawer side thickness no thinner than 16mm.  
 B(19) thickness no thinner than 19mm.

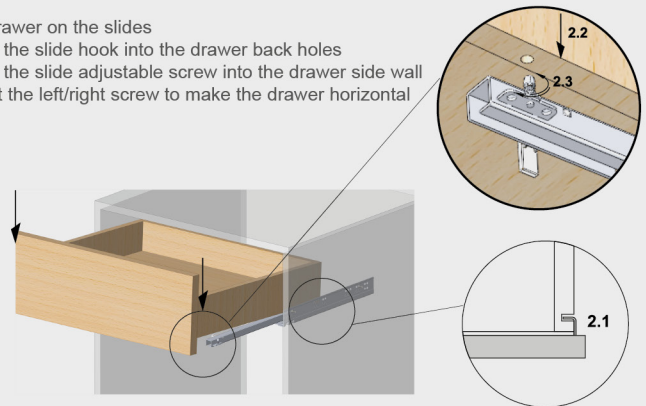
### Installation

1. Install the slides on the cabinet



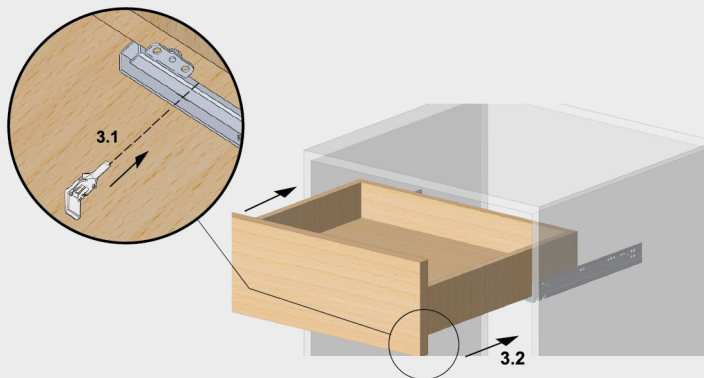
2. Set the drawer on the slides

- 2.1 Insert the slide hook into the drawer back holes
- 2.2 Insert the slide adjustable screw into the drawer side wall
- 2.3 Adjust the left/right screw to make the drawer horizontal



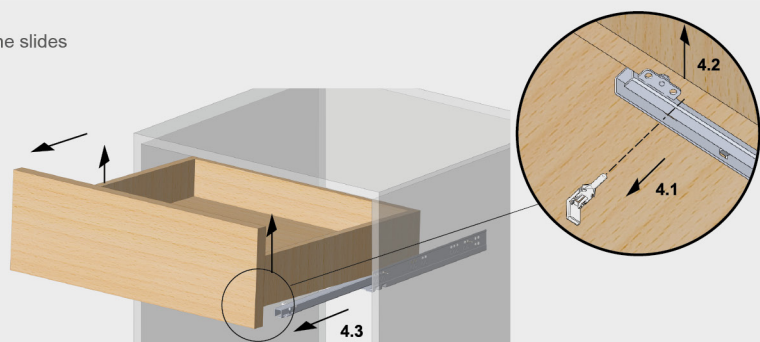
3. Fix the drawer and slides

- 3.1 insert the left/right plastic pins into the pre-drilled holes on the drawer side walls
- 3.2 Close the drawer



4. Disassembly of the drawer

- 4.1 Take out the plastic pin to separate the drawer from the slides
- 4.2 Take up the drawer
- 4.3 Draw out the drawer





# PUSH - OPEN

## DP2331 & DP4331

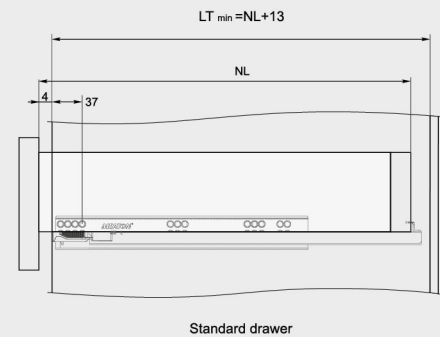
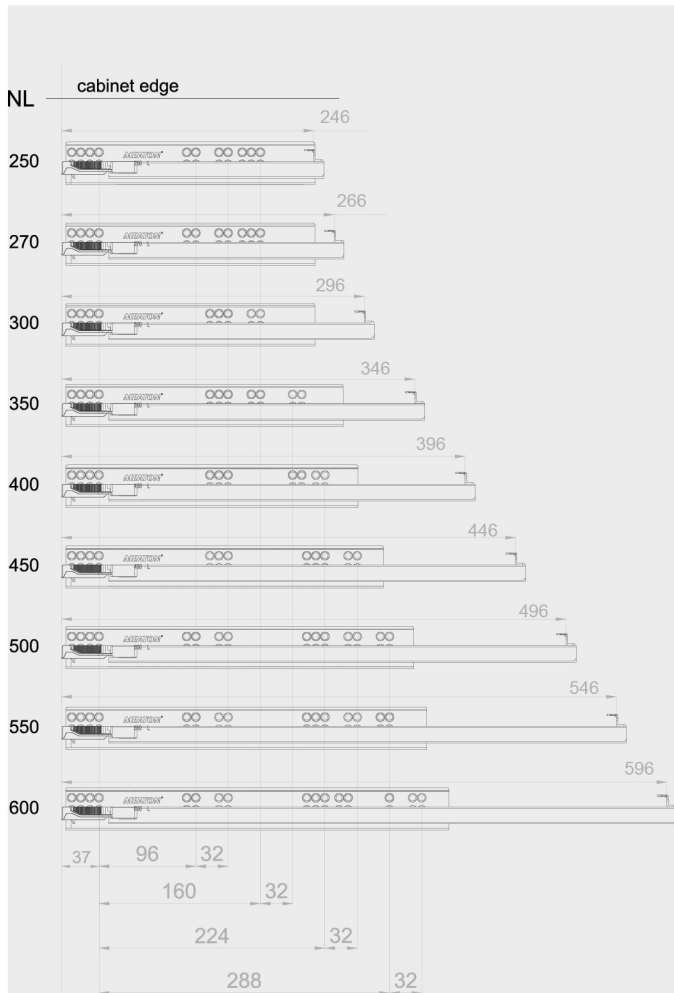
### 2-Fold concealed drawer slide(with handle)



#### Technical specifications:

- Main material: galvanized sheet.
- Max loading capacity: 25kg.
- Life guarantee: 50,000 cycles.
- Thickness of board: DP2331: ≤16mm  
DP4331: ≤19mm

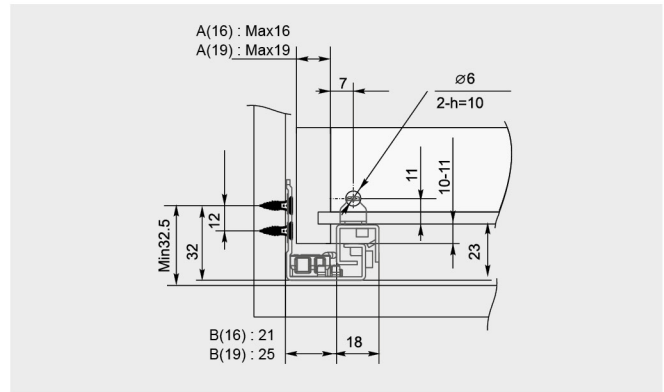
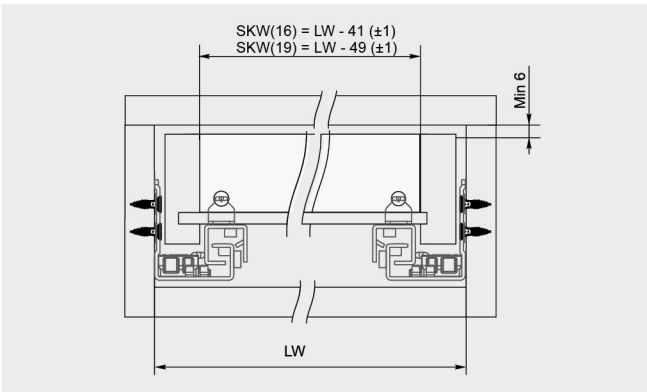
#### Installation dimensions



LT - Cabinet inner depth  
 NL - Nominal slide length  
 X - Board thickness



## 2-Fold concealed push-open drawer slide(with handle)

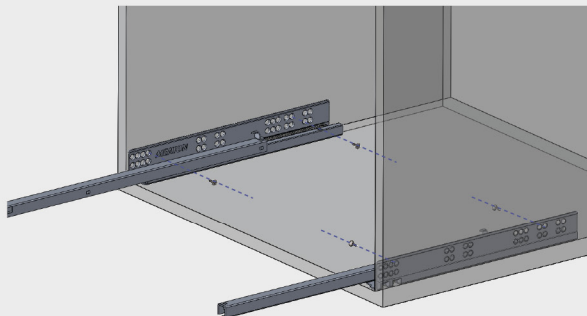


LW - Cabinet inner width  
 SKW(16) - Drawer inner width(≤16mm drawer side thickness)  
 SKW(19) - Drawer inner width(≤19mm drawer side thickness)

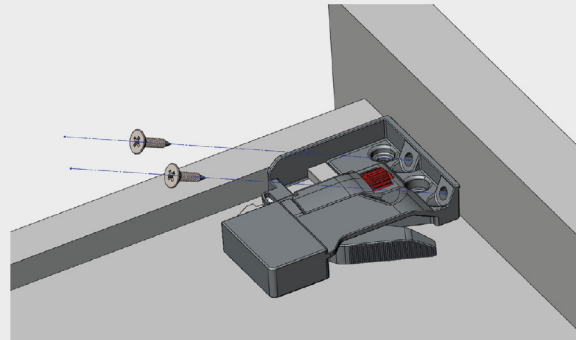
A(16) Be used for slide rails with a drawer side  
 A(19) thickness no thinner than 16mm.  
 B(16) Be used for slide rails with a drawer side  
 B(19) thickness no thinner than 19mm.

### Installation

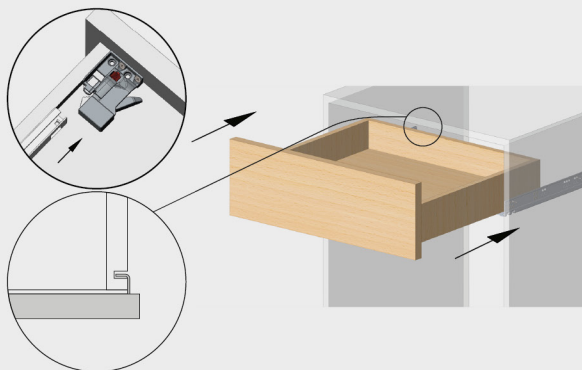
1. Install the slides on the cabinet



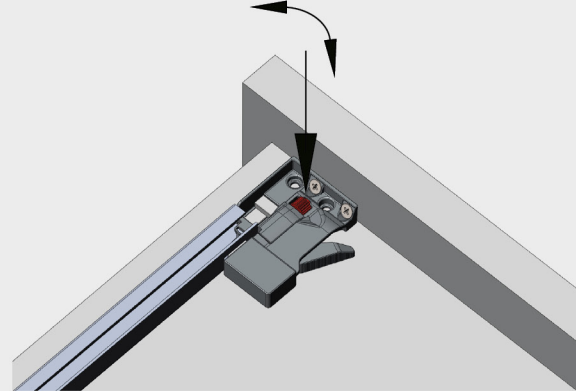
2. Install left/ right handle in the front of the drawer



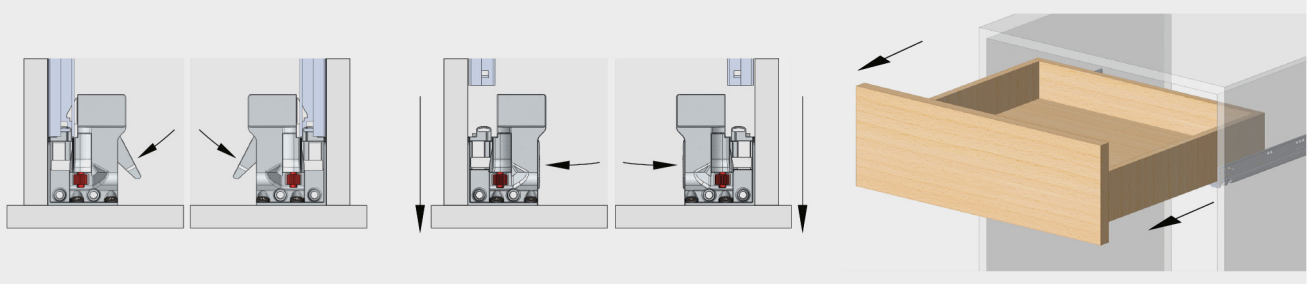
3. Install the drawer on the slides, slide hooks insert into the pre-drilled holes on the drawer back panel



4. Adjust the front panel with plastic wheel on the handle, 0-2.5mm



5. Push the handle lever to unlock the drawer, then pull out the drawer



# PUSH - OPEN

## DP2341 & DP4341

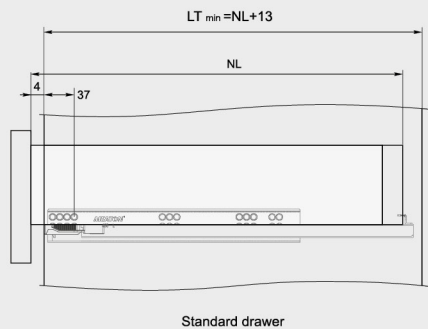
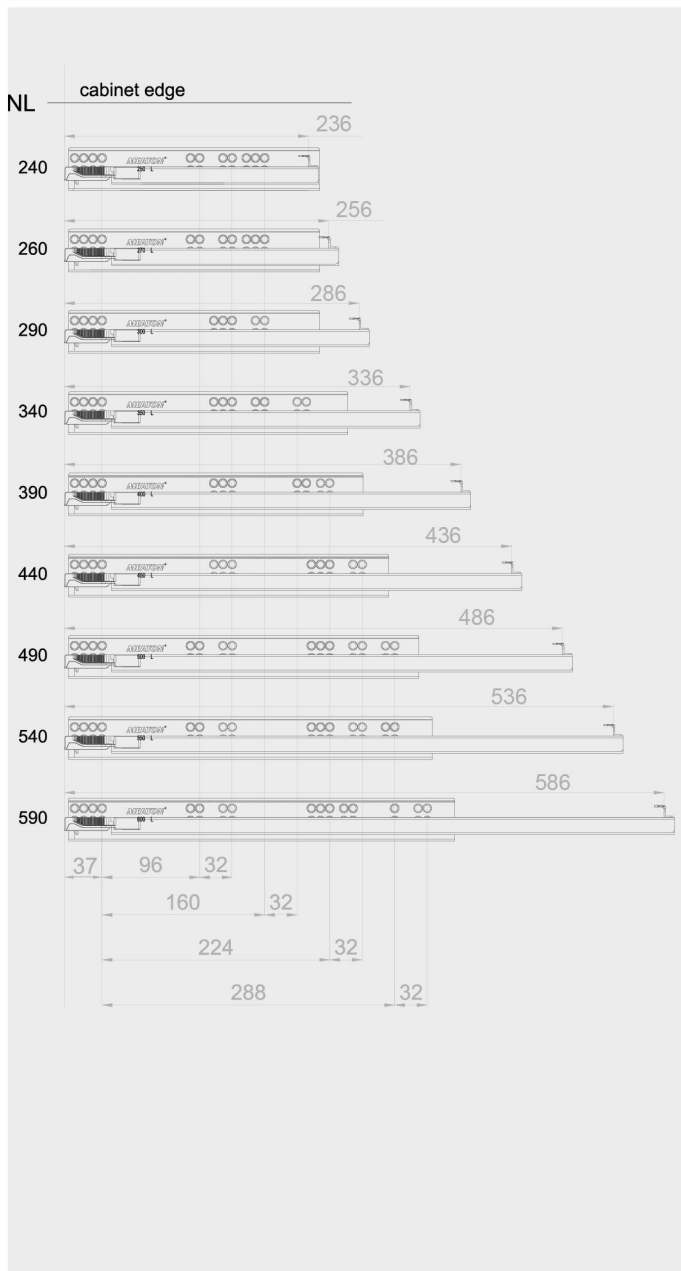
2-Fold concealed drawer slide(with handle)



### Technical specifications:

- Main material: galvanized sheet.
- Max loading capacity: 25kg.
- Life guarantee: 50,000 cycles.
- Thickness of board: DP2341: ≤16mm  
DP4341: ≤19mm

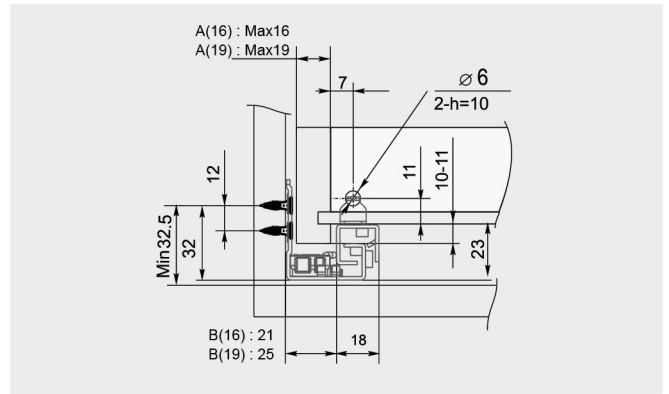
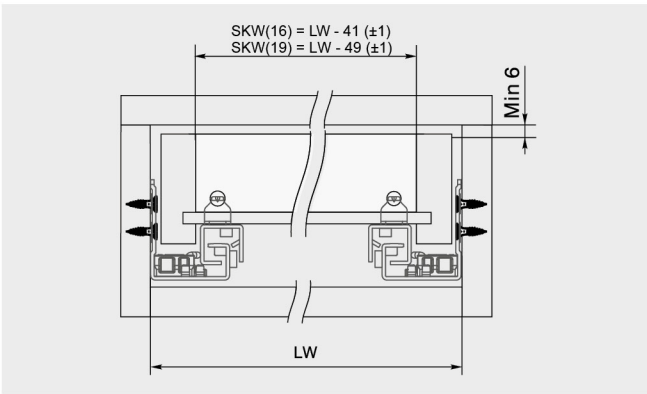
### Installation dimensions



LT - Cabinet inner depth  
NL - Nominal slide length  
X - Board thickness



## 2-Fold concealed push-open drawer slide(with handle)

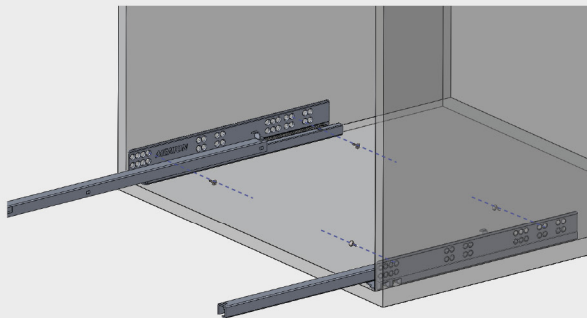


LW - Cabinet inner width  
 SKW(16) - Drawer inner width(≤16mm drawer side thickness)  
 SKW(19) - Drawer inner width(≤19mm drawer side thickness)

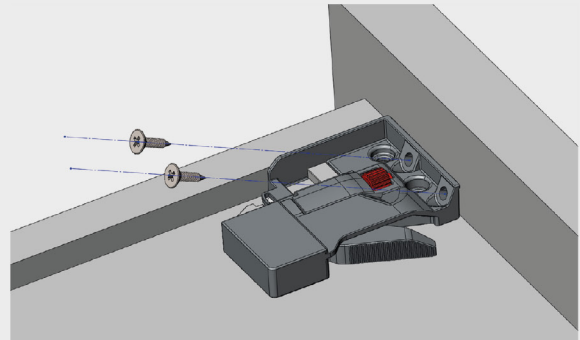
A(16) Be used for slide rails with a drawer side  
 A(19) thickness no thinner than 16mm.  
 B(16) Be used for slide rails with a drawer side  
 B(19) thickness no thinner than 19mm.

### Installation

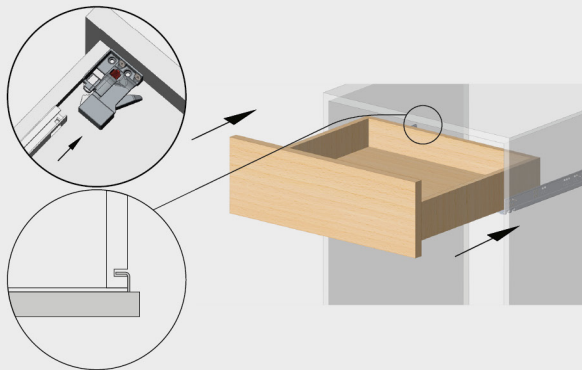
1. Install the slides on the cabinet



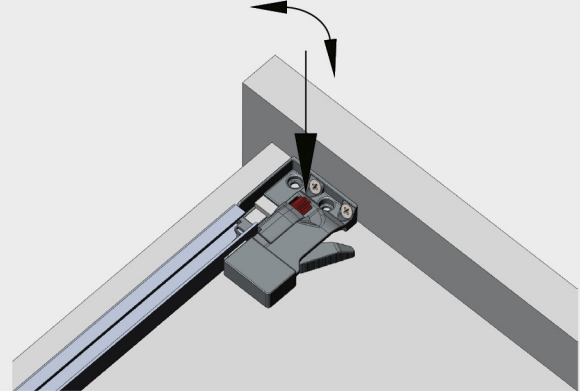
2. Install left/ right handle in the front of the drawer



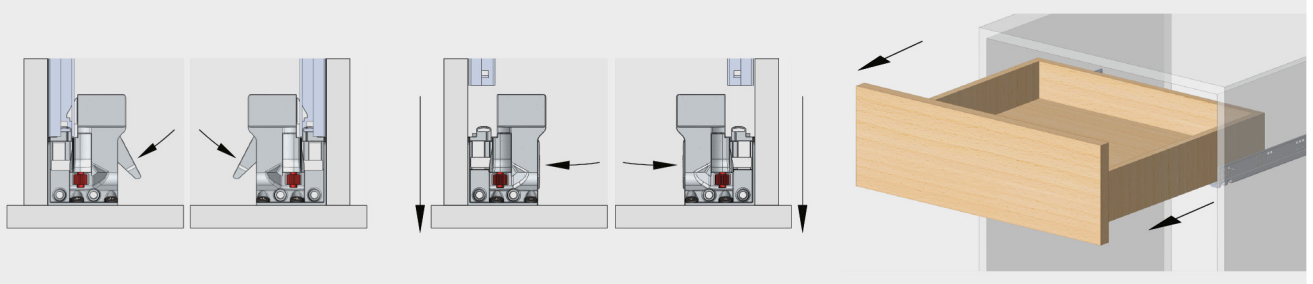
3. Install the drawer on the slides, slide hooks insert into the pre-drilled holes on the drawer back panel



4. Adjust the front panel with plastic wheel on the handle, 0-2.5mm



5. Push the handle lever to unlock the drawer, then pull out the drawer



# PUSH - OPEN

## DP3201 & DT3201(Synchronized)

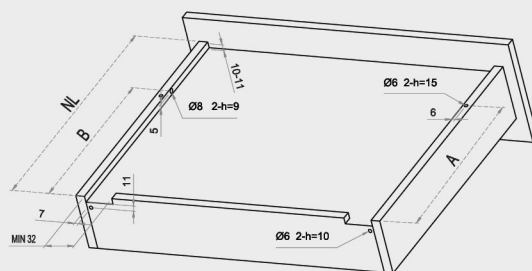
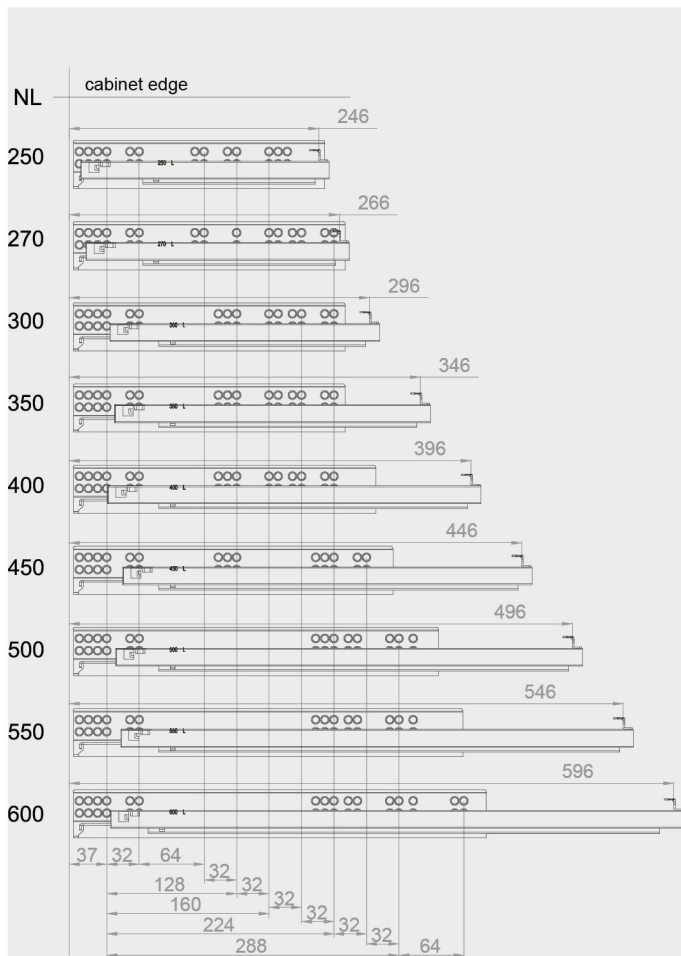
3-Fold concealed drawer slide(16mm with bolt locking)



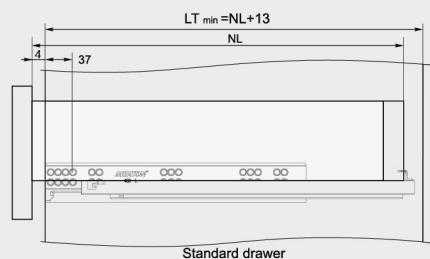
### Technical specifications:

- Main material: galvanized sheet.
- Max loading capacity: 30kg.
- Life guarantee: 50,000 cycles.
- Usage: variety of drawers.
- Thickness of board: ≤16mm.

### Installation dimensions



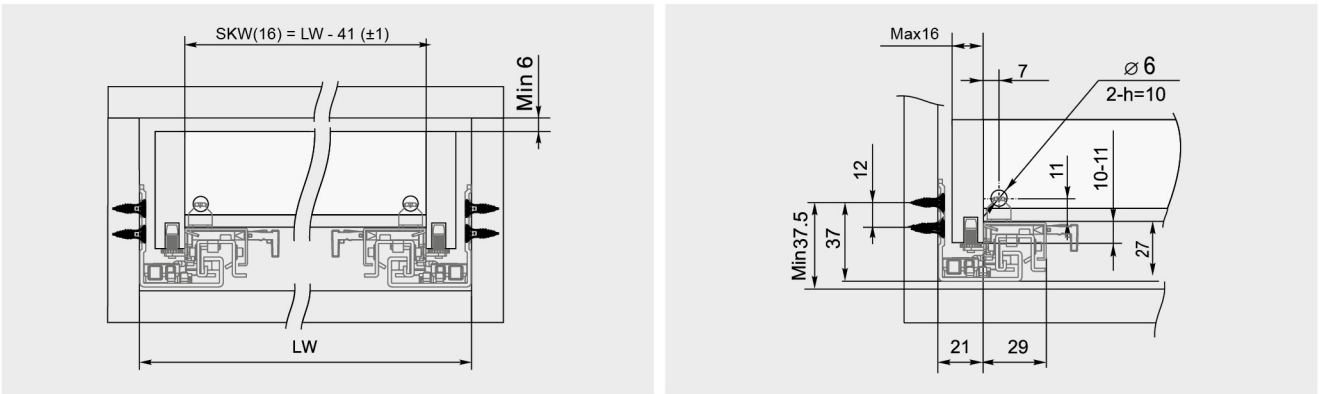
NL	250	270	300	350	400	450	500	550	600
A	206	221	231	276	301	336	361	406	456
B	220.5	235.5	242	287	344	379	436	481	531



LT - Cabinet inner depth  
 NL - Nominal slide length  
 X - Board thickness



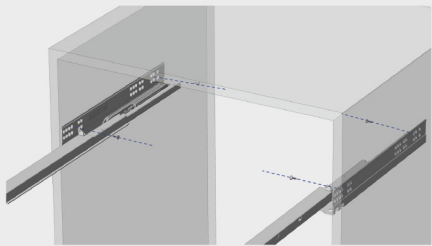
## 3-Fold concealed **push-open** drawer slide(16mm with bolt locking)



LW - Cabinet inner width  
 SKW(16) - Drawer inner width(≤16mm drawer side thickness)

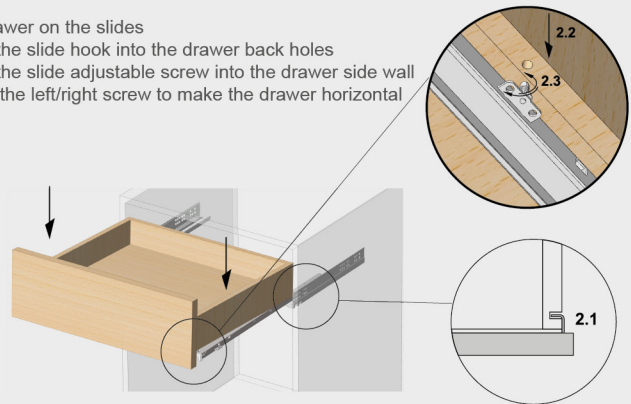
### Installation

1. Install the slides on the cabinet



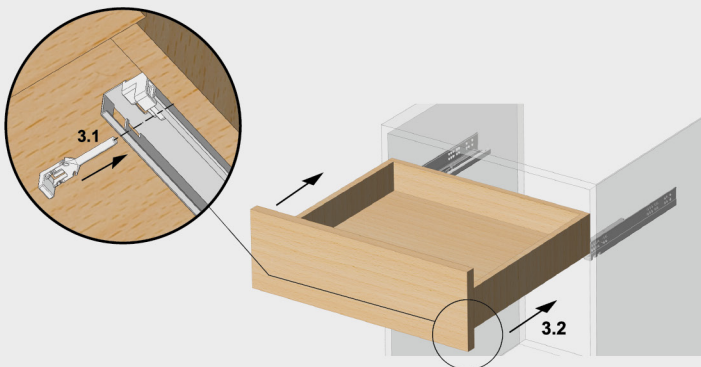
2. Set the drawer on the slides

- 2.1 Insert the slide hook into the drawer back holes
- 2.2 Insert the slide adjustable screw into the drawer side wall
- 2.3 Adjust the left/right screw to make the drawer horizontal



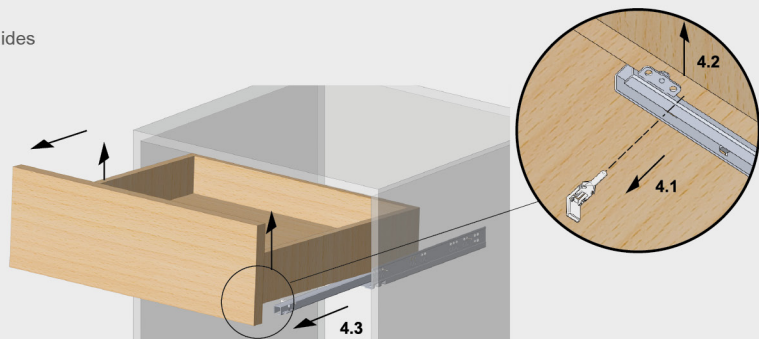
3. Fix the drawer and slides

- 3.1 insert the left/right plastic pins into the pre-drilled holes on the drawer side walls
- 3.2 Close the drawer



4. Disassembly of the drawer

- 4.1 Take out the plastic pin to separate the drawer from the slides
- 4.2 Take up the drawer
- 4.3 Draw out the drawer



# PUSH - OPEN

## DP5201 & DT5201(Synchronized)

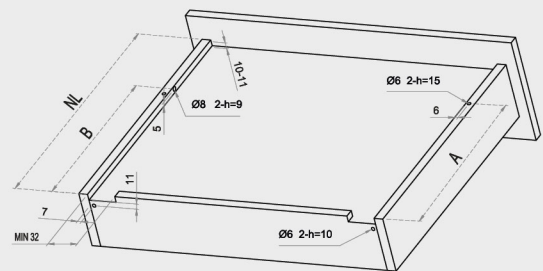
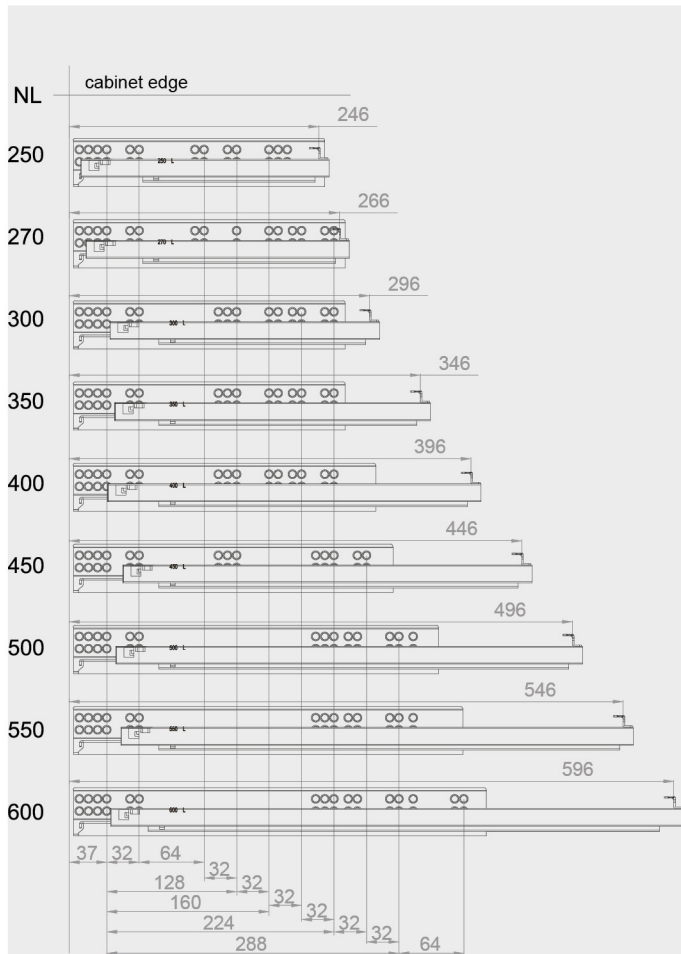
3-Fold concealed drawer slide(19mm with bolt locking)



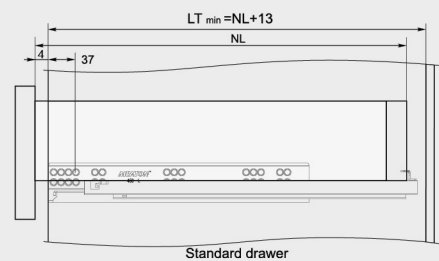
### Technical specifications:

- Main material: galvanized sheet.
- Max loading capacity: 30kg.
- Life guarantee: 50,000 cycles.
- Usage: variety of drawers.
- Thickness of board:  $\leq 19\text{mm}$ .

### Installation dimensions



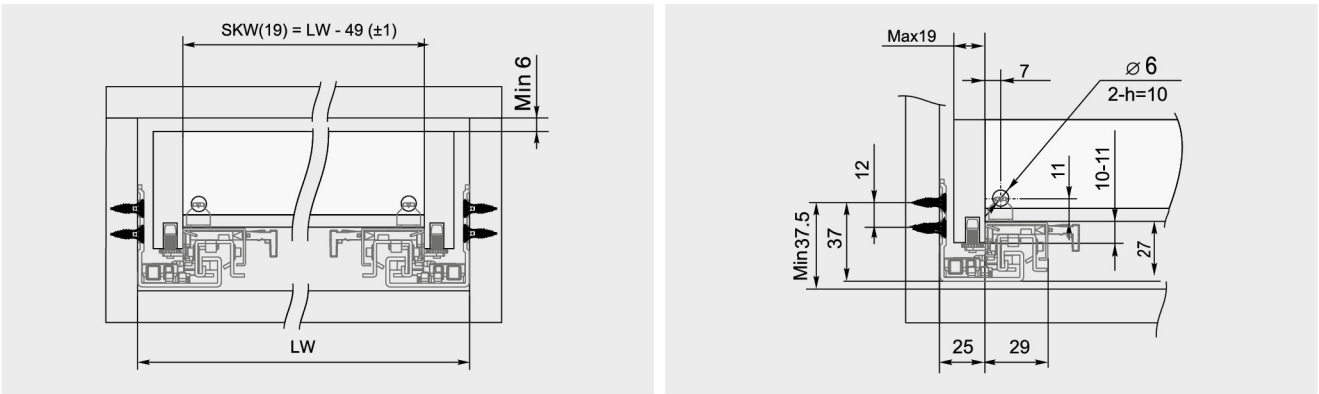
NL	250	270	300	350	400	450	500	550	600
A	206	221	231	276	301	336	361	406	456
B	220.5	235.5	242	287	344	379	436	481	531



LT - Cabinet inner depth  
 NL - Nominal slide length  
 X - Board thickness



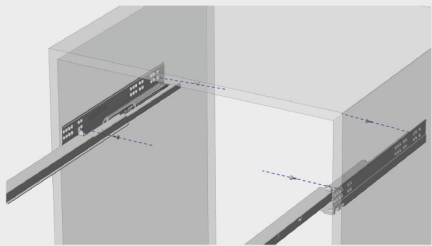
## 3-Fold concealed push-open drawer slide(19mm with bolt locking)



LW - Cabinet inner width  
SKW(19) - Drawer inner width(≤19mm drawer side thickness)

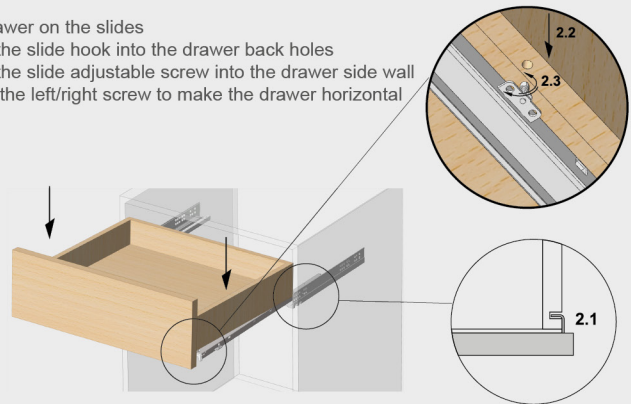
### Installation

1. Install the slides on the cabinet



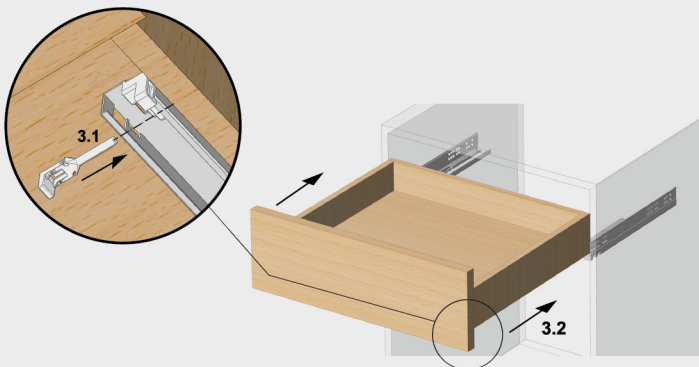
2. Set the drawer on the slides

- 2.1 Insert the slide hook into the drawer back holes
- 2.2 Insert the slide adjustable screw into the drawer side wall
- 2.3 Adjust the left/right screw to make the drawer horizontal



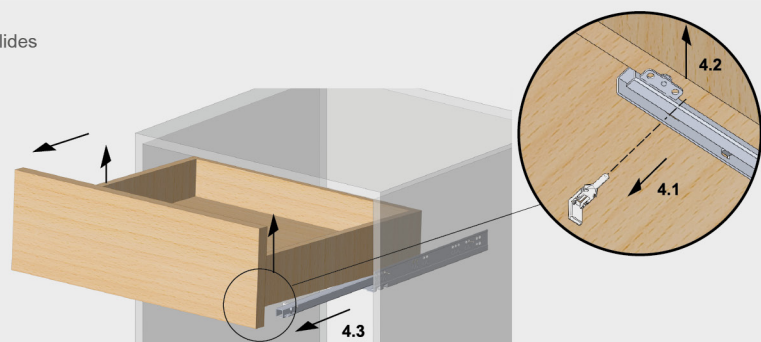
3. Fix the drawer and slides

- 3.1 insert the left/right plastic pins into the pre-drilled holes on the drawer side walls
- 3.2 Close the drawer



4. Disassembly of the drawer

- 4.1 Take out the plastic pin to separate the drawer from the slides
- 4.2 Take up the drawer
- 4.3 Draw out the drawer





# PUSH - OPEN

## DP3221 & DT3221(Synchronized)

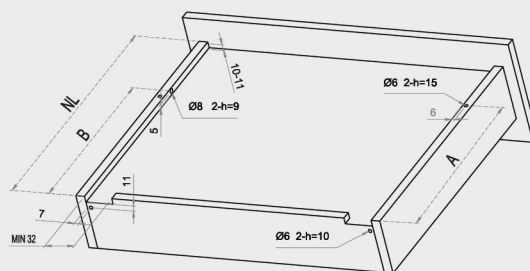
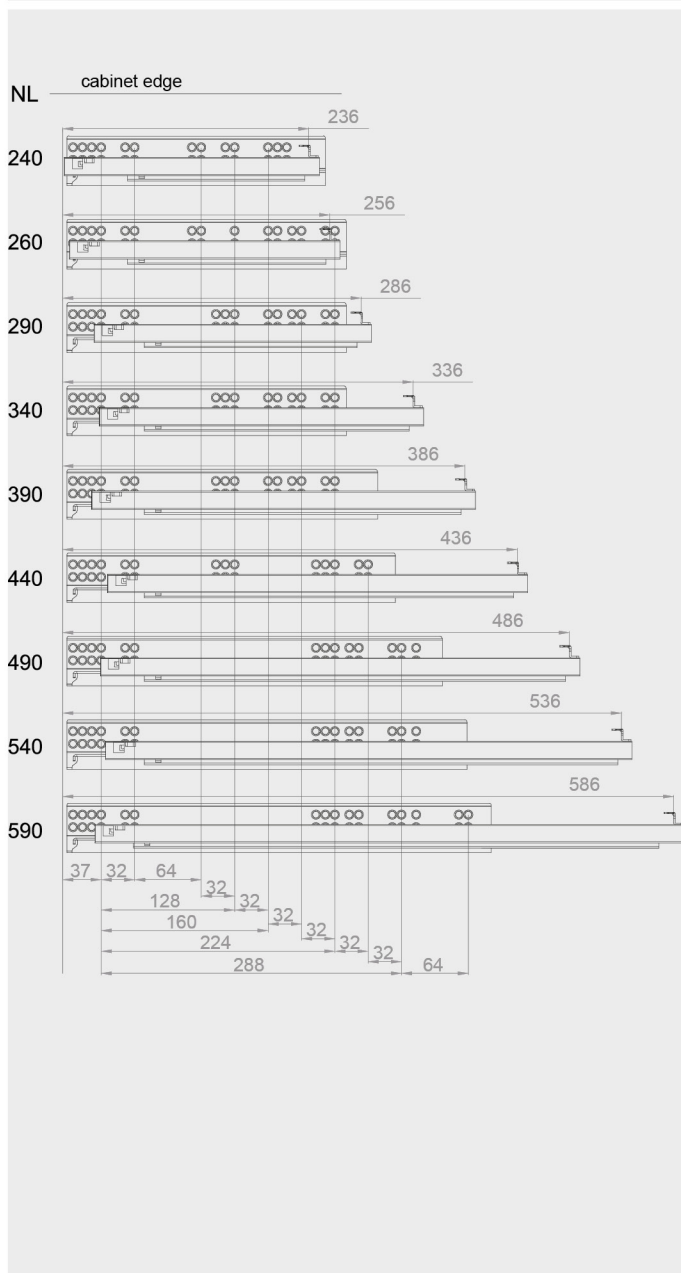
3-Fold concealed drawer slide(16mm with bolt locking)



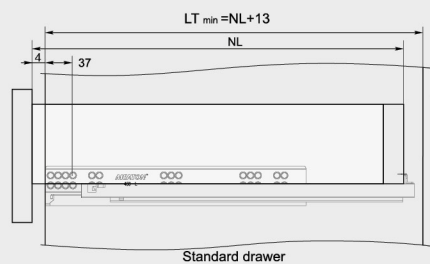
### Technical specifications:

- Main material: galvanized sheet.
- Max loading capacity: 30kg.
- Life guarantee: 50,000 cycles.
- Usage: variety of drawers.
- Thickness of board: ≤16mm.

### Installation dimensions



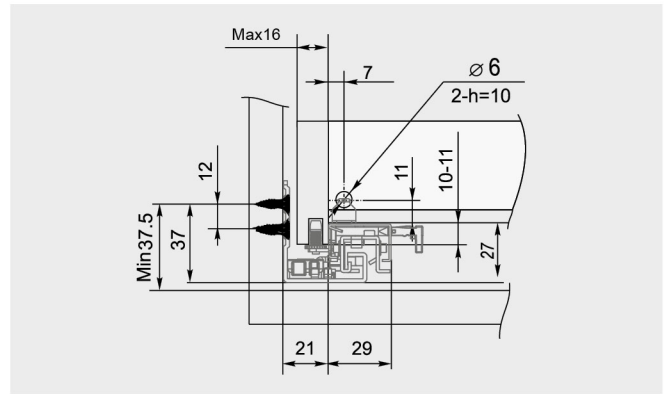
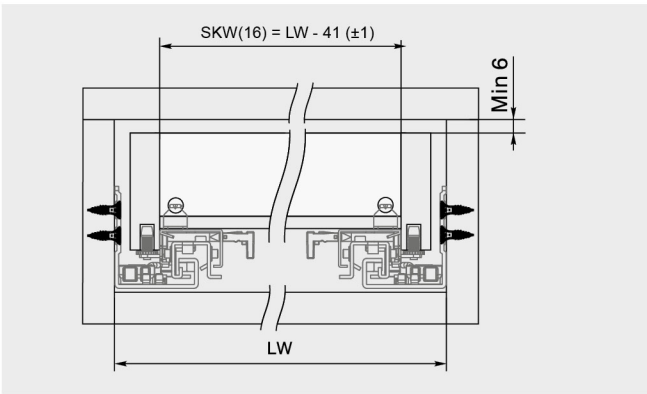
NL	240	260	290	340	390	440	490	540	590
A	190	205	245	270	305	330	355	390	415
B	200.5	215.5	255.5	280.5	319.5	369.5	419.5	469.5	519.5



LT - Cabinet inner depth  
 NL - Nominal slide length  
 X - Board thickness



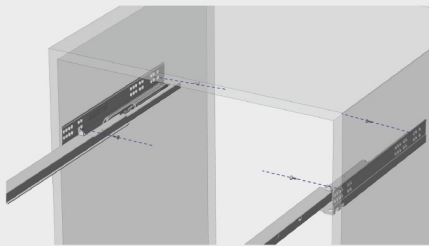
## 3-Fold concealed push-open drawer slide(16mm with bolt locking)



LW - Cabinet inner width  
SKW(16) - Drawer inner width(≤16mm drawer side thickness)

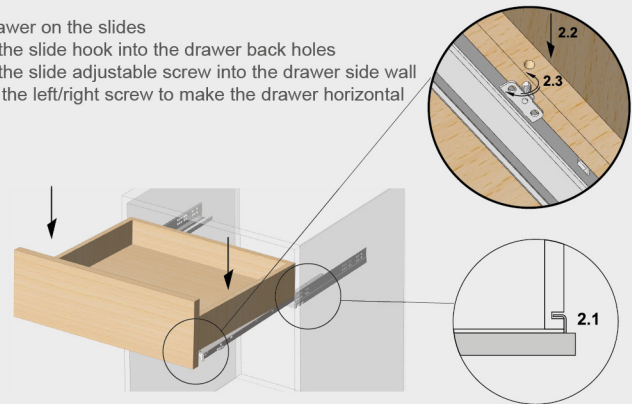
### Installation

1. Install the slides on the cabinet



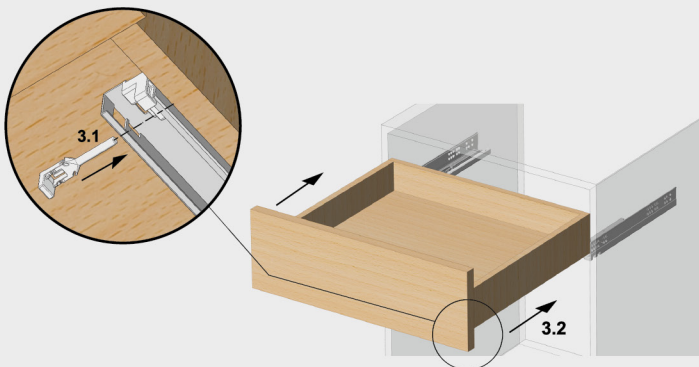
2. Set the drawer on the slides

- 2.1 Insert the slide hook into the drawer back holes
- 2.2 Insert the slide adjustable screw into the drawer side wall
- 2.3 Adjust the left/right screw to make the drawer horizontal



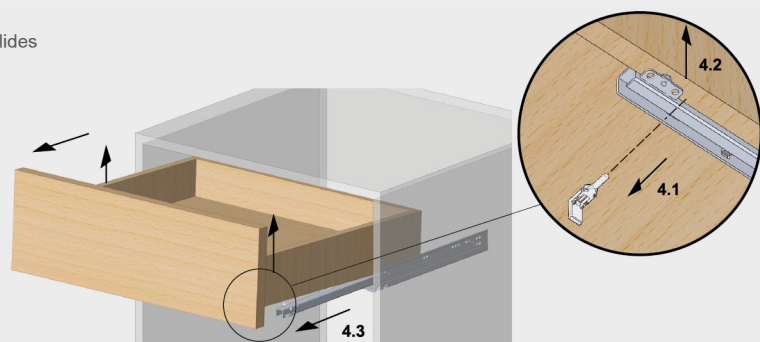
3. Fix the drawer and slides

- 3.1 insert the left/right plastic pins into the pre-drilled holes on the drawer side walls
- 3.2 Close the drawer



4. Disassembly of the drawer

- 4.1 Take out the plastic pin to separate the drawer from the slides
- 4.2 Take up the drawer
- 4.3 Draw out the drawer



# PUSH - OPEN

## DP5221 & DT5221(Synchronized)

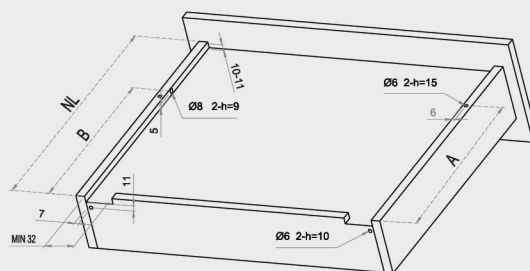
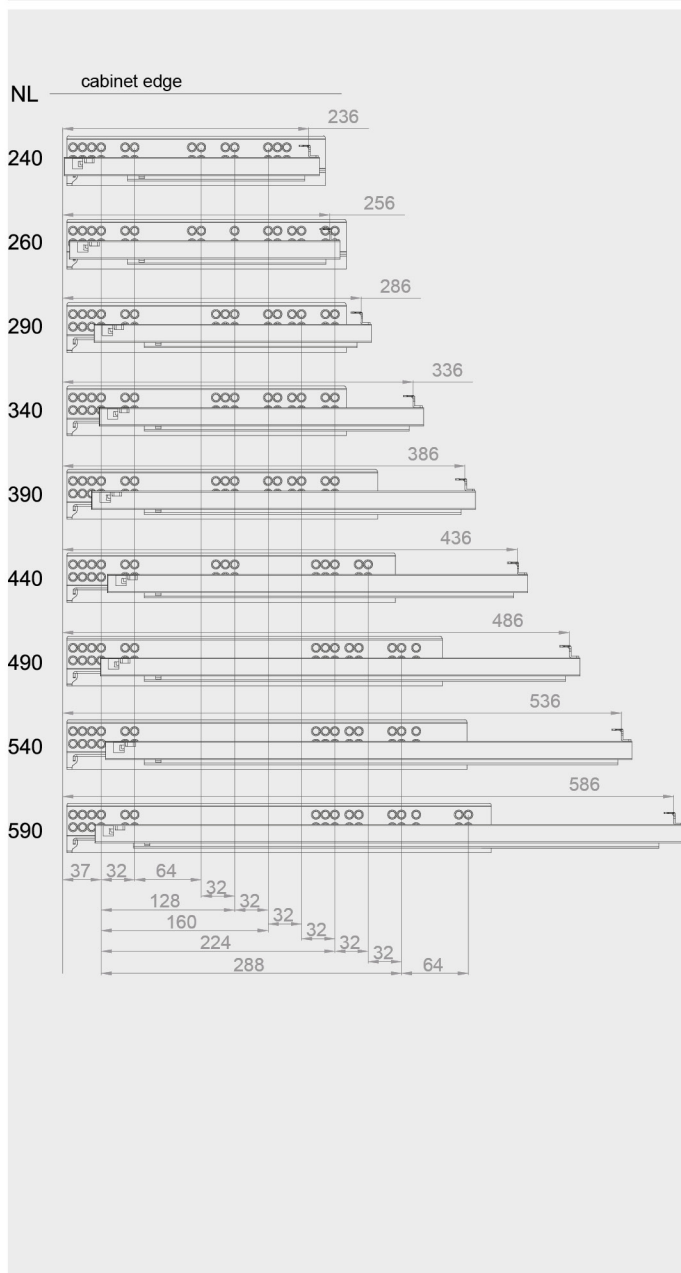
3-Fold concealed drawer slide(19mm with bolt locking)



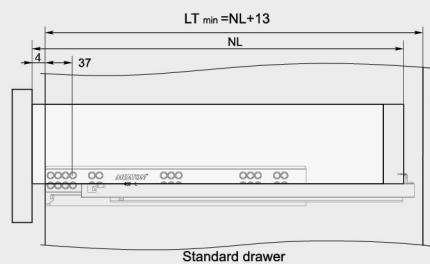
### Technical specifications:

- Main material: galvanized sheet.
- Max loading capacity: 30kg.
- Life guarantee: 50,000 cycles.
- Usage: variety of drawers.
- Thickness of board:  $\leq 19$ mm.

### Installation dimensions

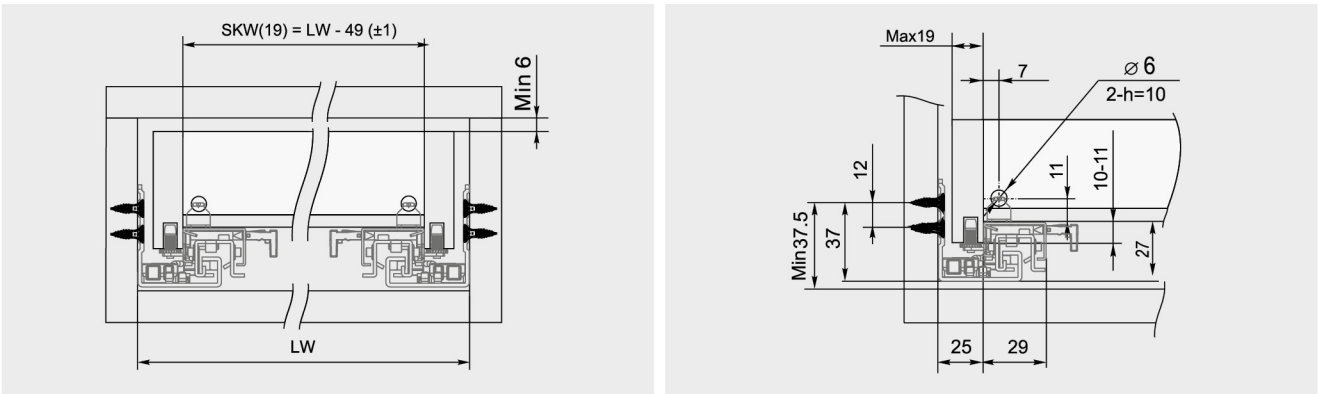


NL	240	260	290	340	390	440	490	540	590
A	190	205	245	270	305	330	355	390	415
B	200.5	215.5	255.5	280.5	319.5	369.5	419.5	469.5	519.5



LT - Cabinet inner depth  
 NL - Nominal slide length  
 X - Board thickness

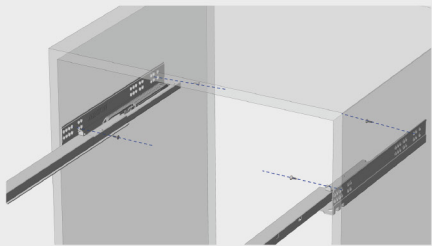
## 3-Fold concealed push-open drawer slide(19mm with bolt locking)



LW - Cabinet inner width  
SKW(19) - Drawer inner width(≤19mm drawer side thickness)

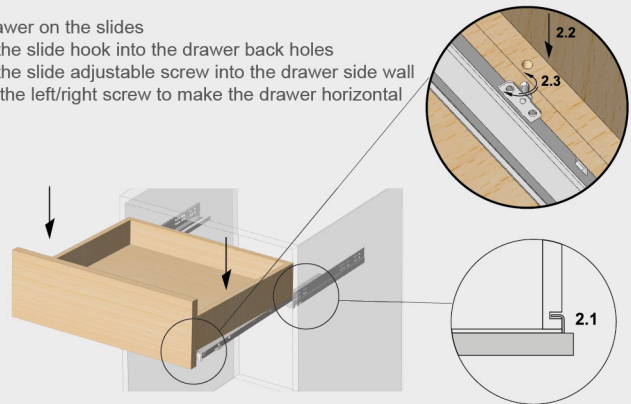
### Installation

#### 1. Install the slides on the cabinet



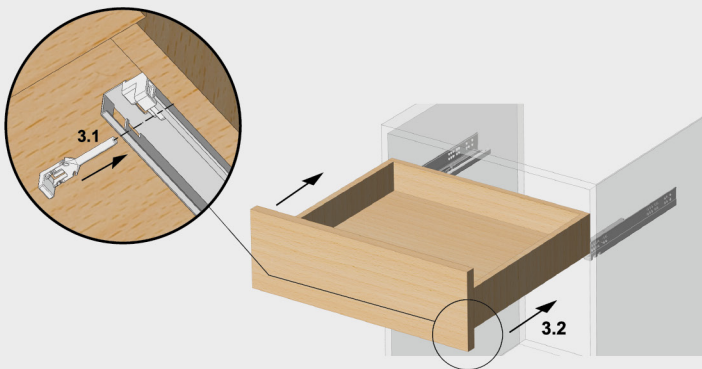
#### 2. Set the drawer on the slides

- 2.1 Insert the slide hook into the drawer back holes
- 2.2 Insert the slide adjustable screw into the drawer side wall
- 2.3 Adjust the left/right screw to make the drawer horizontal



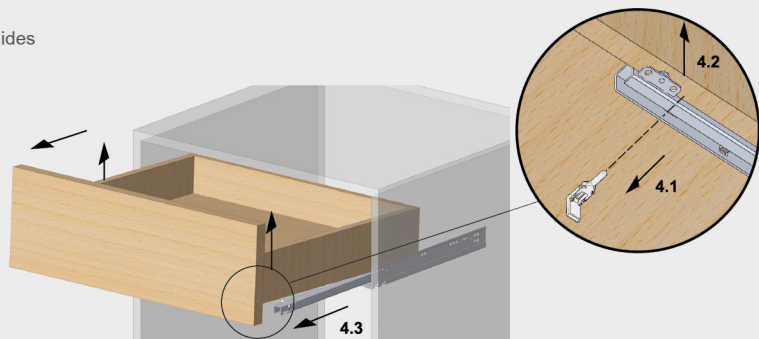
#### 3. Fix the drawer and slides

- 3.1 insert the left/right plastic pins into the pre-drilled holes on the drawer side walls
- 3.2 Close the drawer



#### 4. Disassembly of the drawer

- 4.1 Take out the plastic pin to separate the drawer from the slides
- 4.2 Take up the drawer
- 4.3 Draw out the drawer



# PUSH - OPEN

## DP3331 & DT3331(Synchronized)

3-Fold concealed drawer slide(16mm with handle)



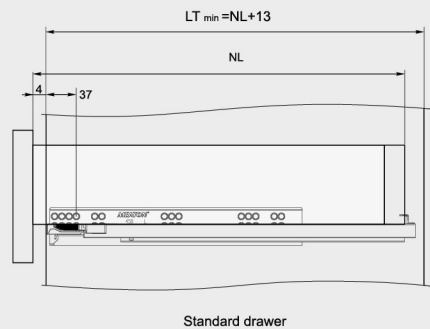
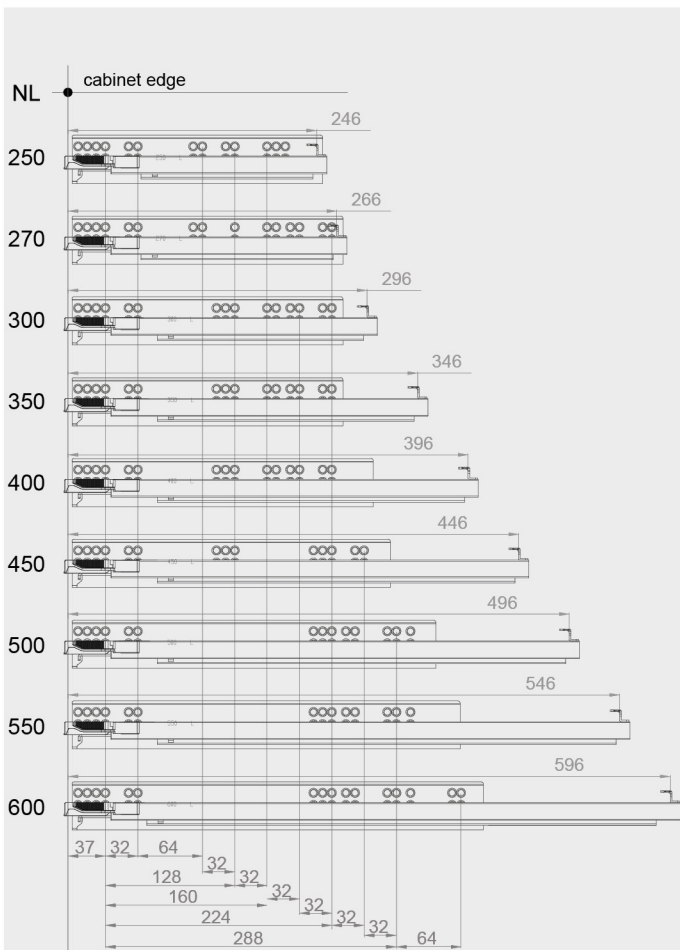
PN with this handle DP3305&DT3305

PN with this handle DP3331&DT3331

### Technical specifications:

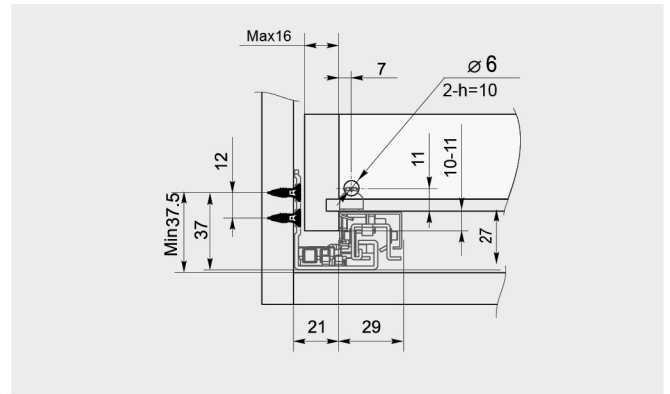
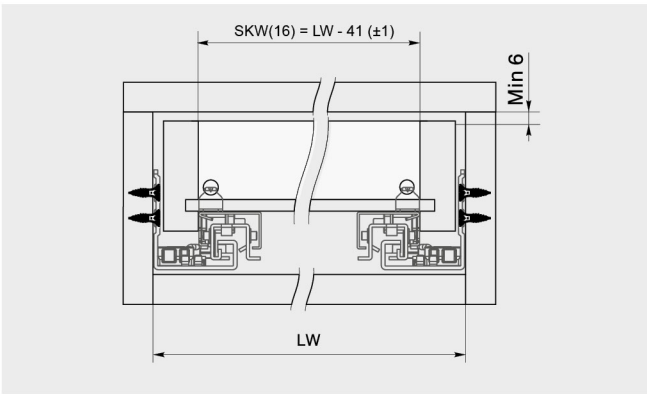
- Main material: galvanized sheet.
- Max loading capacity: 30kg.
- Life guarantee:50,000 cycles.
- Thickness of board:  $\leq 16$ mm.

### Installation dimensions



LT - Cabinet inner depth  
 NL - Nominal slide length  
 X - Board thickness

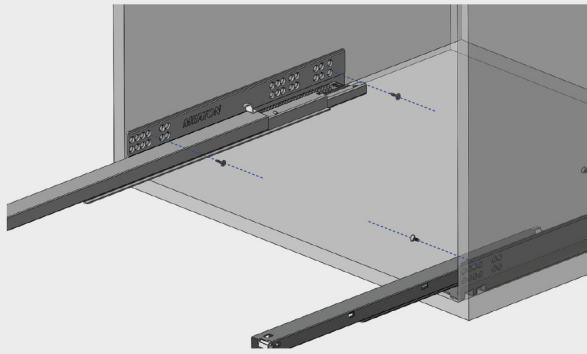
**3-Fold concealed push-open drawer slide(16mm with handle)**



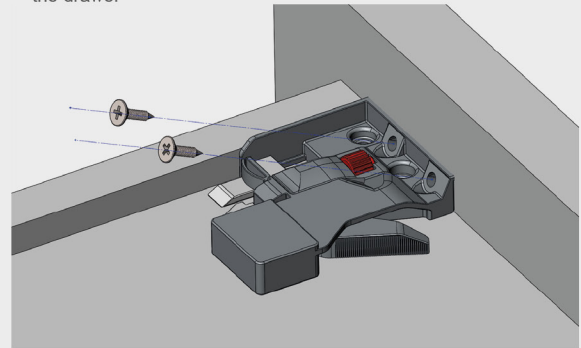
LW - Cabinet inner width  
 SKW(16) - Drawer inner width(≤16mm drawer side thickness)

**Installation**

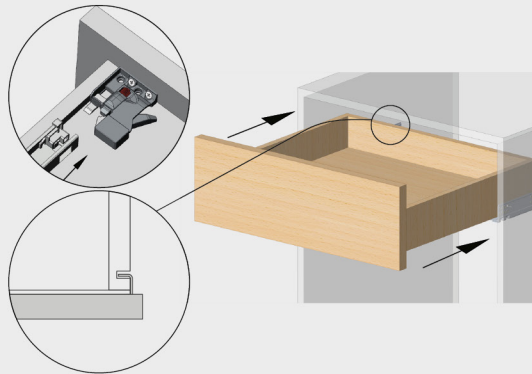
1. Install the slides on the cabinet



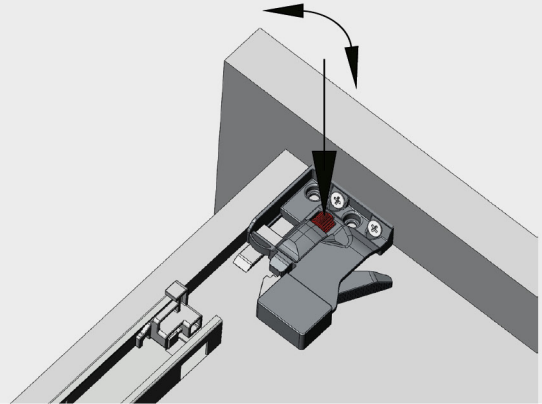
2. Install left/ right handle in the front of the drawer



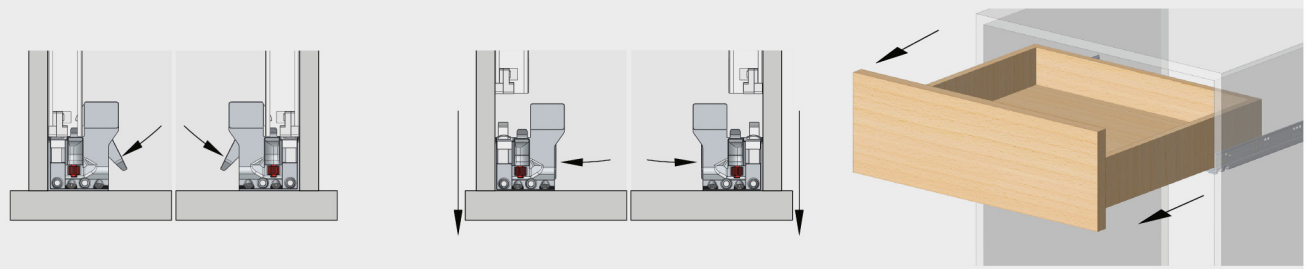
3. Install the drawer on the slides, slide hooks insert into the pre-drilled holes on the drawer back panel



4. Adjust the front panel with plastic wheel on the handle, 0-2.5mm



5. Push the handle lever to unlock the drawer, then pull out the drawer



# PUSH - OPEN

## DP5331 & DT5331(Synchronized)

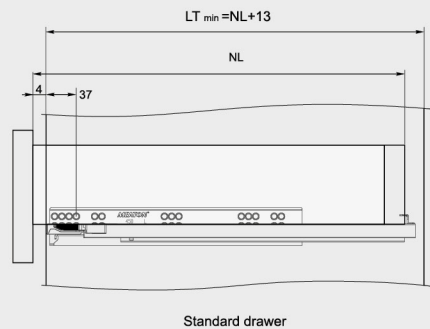
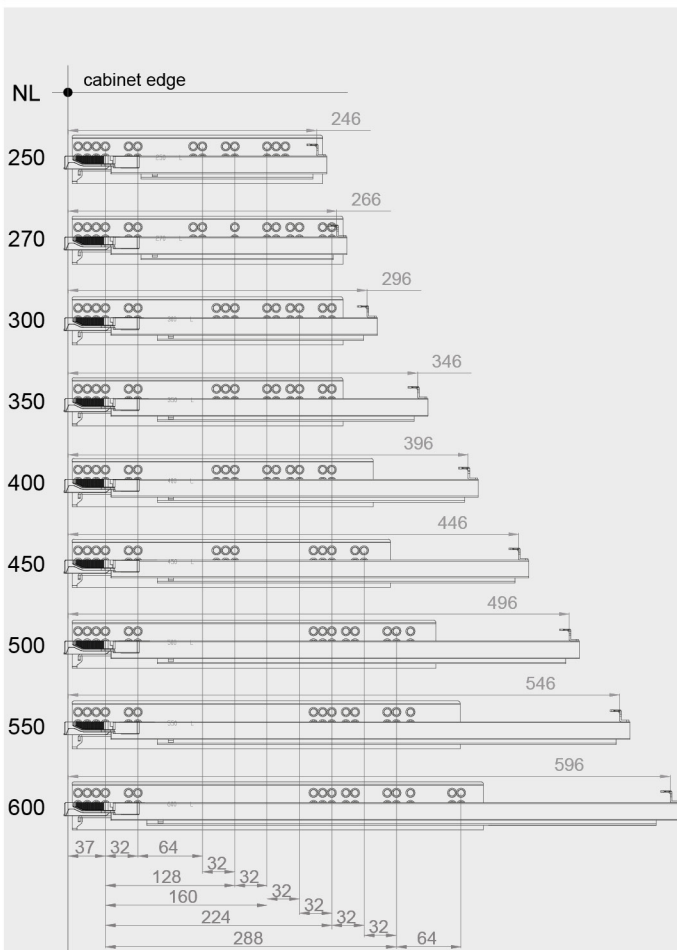
3-Fold concealed drawer slide(19mm with handle)



### Technical specifications:

- Main material: galvanized sheet.
- Max loading capacity: 30kg.
- Life guarantee: 50,000 cycles.
- Thickness of board:  $\leq 19$ mm.

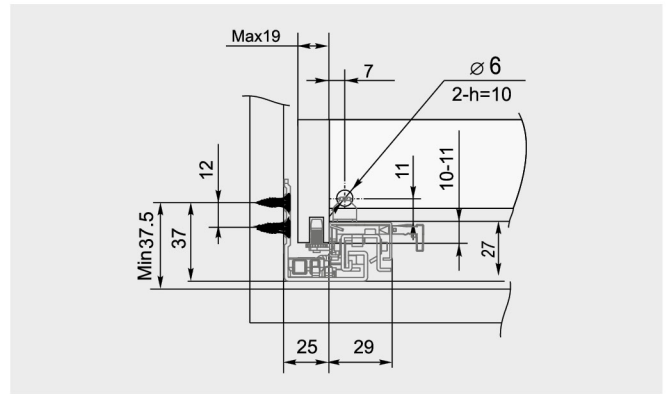
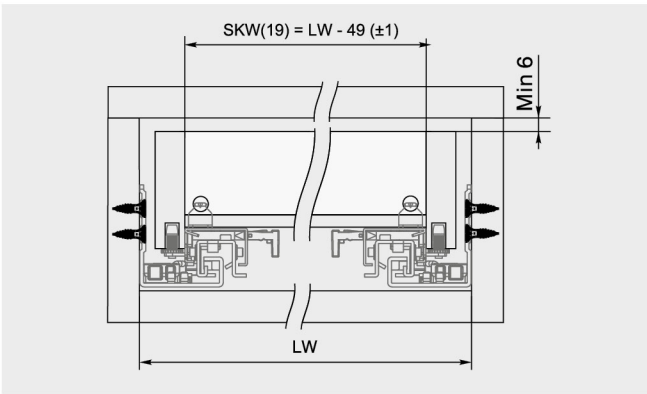
### Installation dimensions



LT - Cabinet inner depth  
 NL - Nominal slide length  
 X - Board thickness



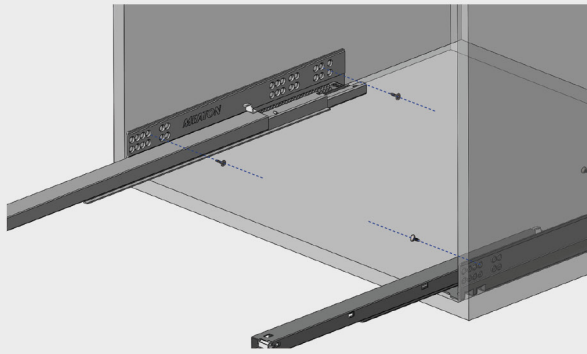
## 3-Fold concealed push-open drawer slide(19mm with handle)



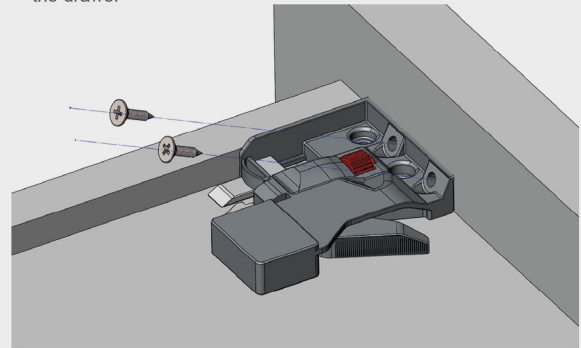
LW - Cabinet inner width  
SKW(19) - Drawer inner width(≤19mm drawer side thickness)

### Installation

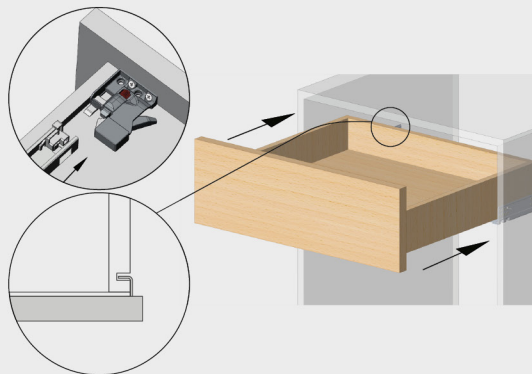
1. Install the slides on the cabinet



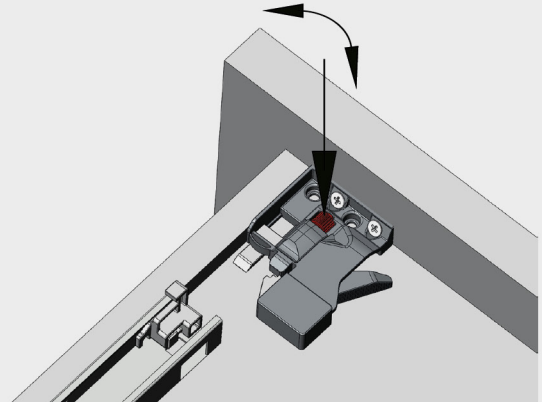
2. Install left/ right handle in the front of the drawer



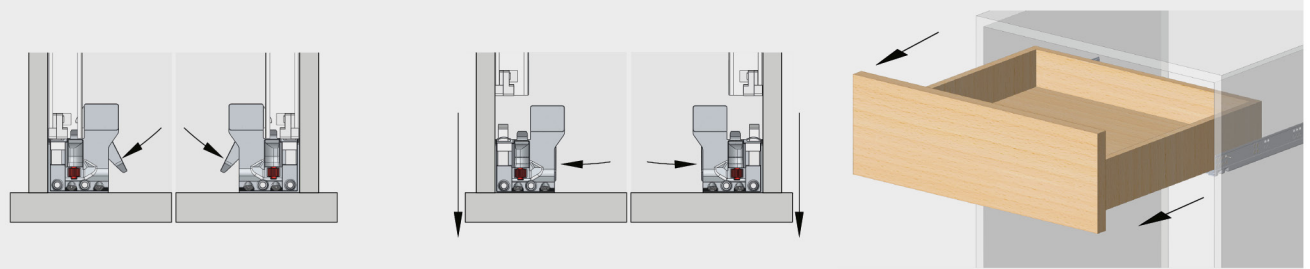
3. Install the drawer on the slides, slide hooks insert into the pre-drilled holes on the drawer back panel



4. Adjust the front panel with plastic wheel on the handle, 0-2.5mm



5. Push the handle lever to unlock the drawer, then pull out the drawer





# PUSH - OPEN

## DP3341 & DT3341(Synchronized)

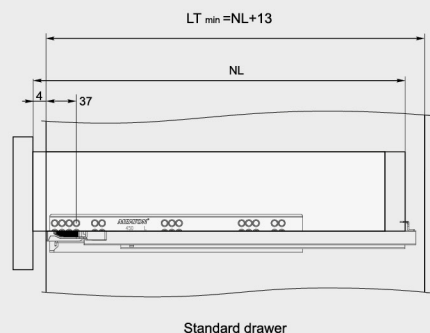
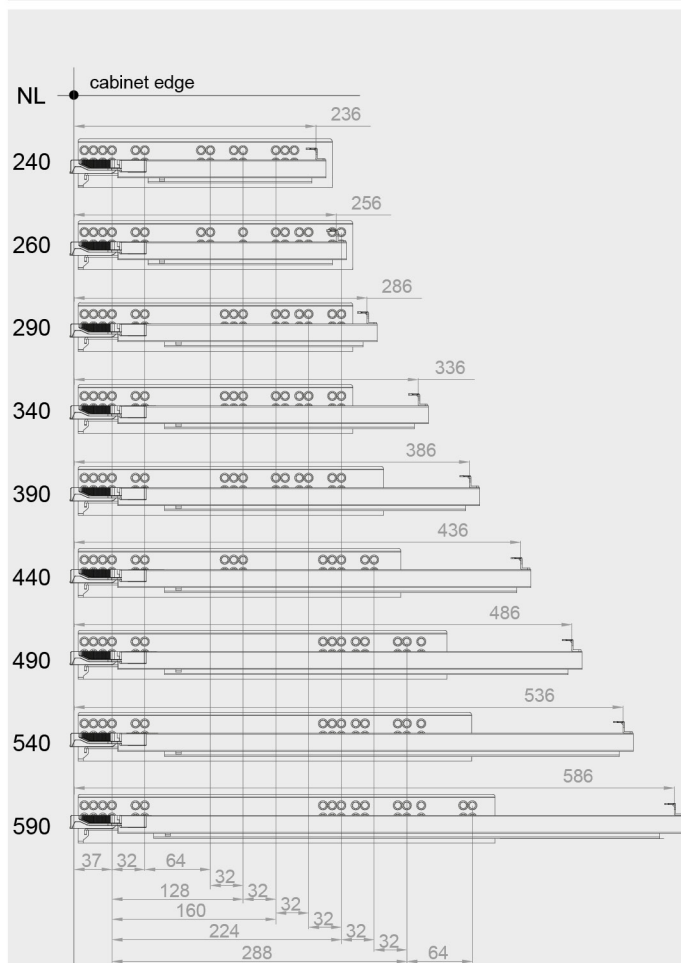
3-Fold concealed drawer slide(16mm with handle)



### Technical specifications:

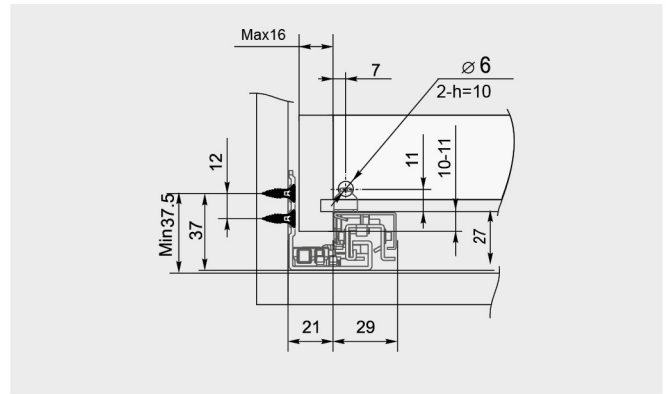
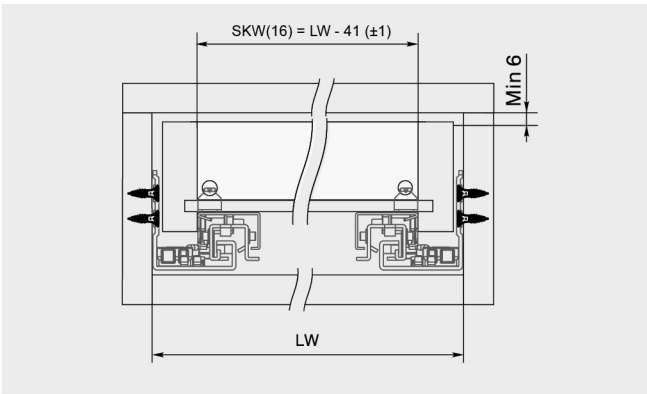
- Main material: galvanized sheet.
- Max loading capacity: 30kg.
- Life guarantee: 50,000 cycles.
- Thickness of board:  $\leq 16\text{mm}$ .

### Installation dimensions



LT - Cabinet inner depth  
 NL - Nominal slide length  
 X - Board thickness

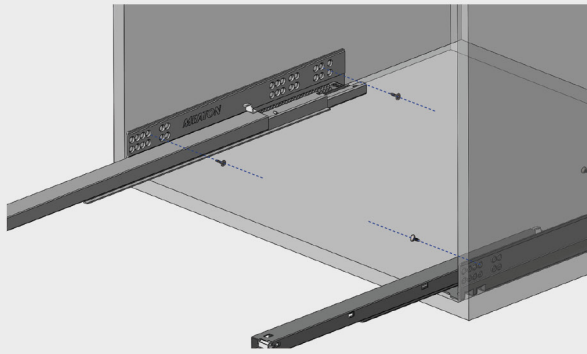
**3-Fold concealed push-open drawer slide(16mm with handle)**



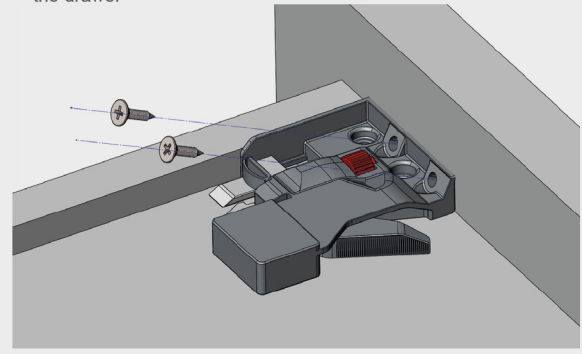
LW - Cabinet inner width  
 SKW(16) - Drawer inner width(≤16mm drawer side thickness)

**Installation**

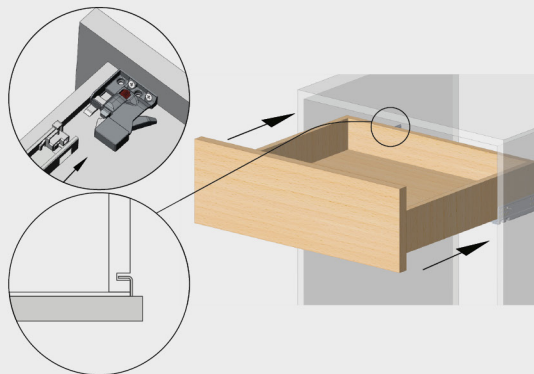
1. Install the slides on the cabinet



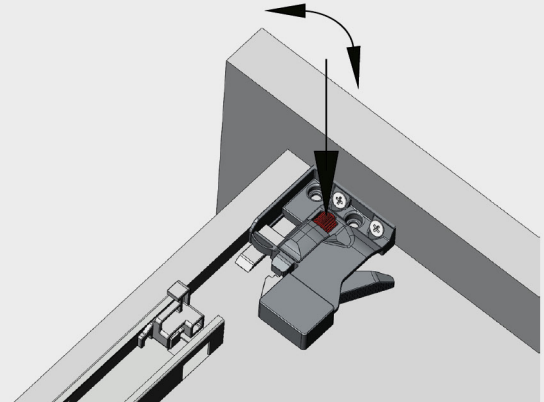
2. Install left/ right handle in the front of the drawer



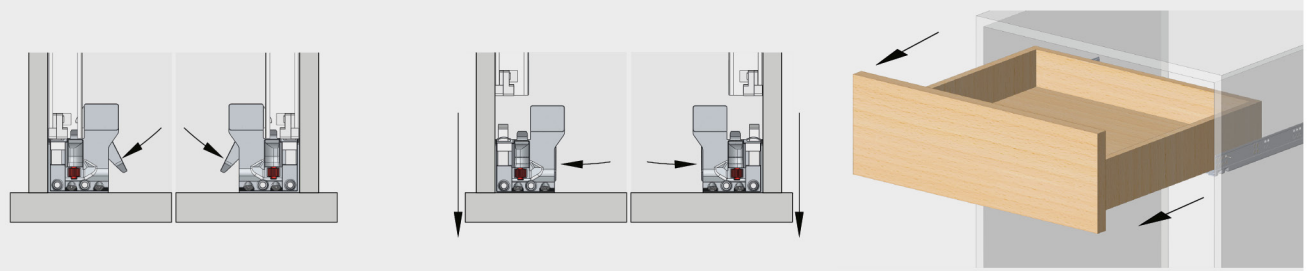
3. Install the drawer on the slides, slide hooks insert into the pre-drilled holes on the drawer back panel



4. Adjust the front panel with plastic wheel on the handle, 0-2.5mm



5. Push the handle lever to unlock the drawer, then pull out the drawer



# PUSH - OPEN

## DP5341 & DT5341(Synchronized)

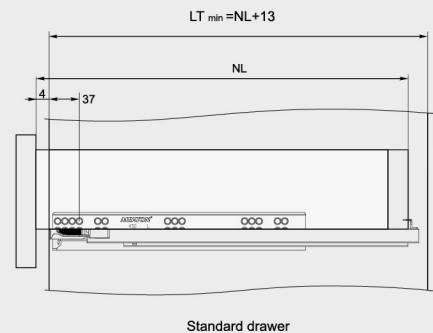
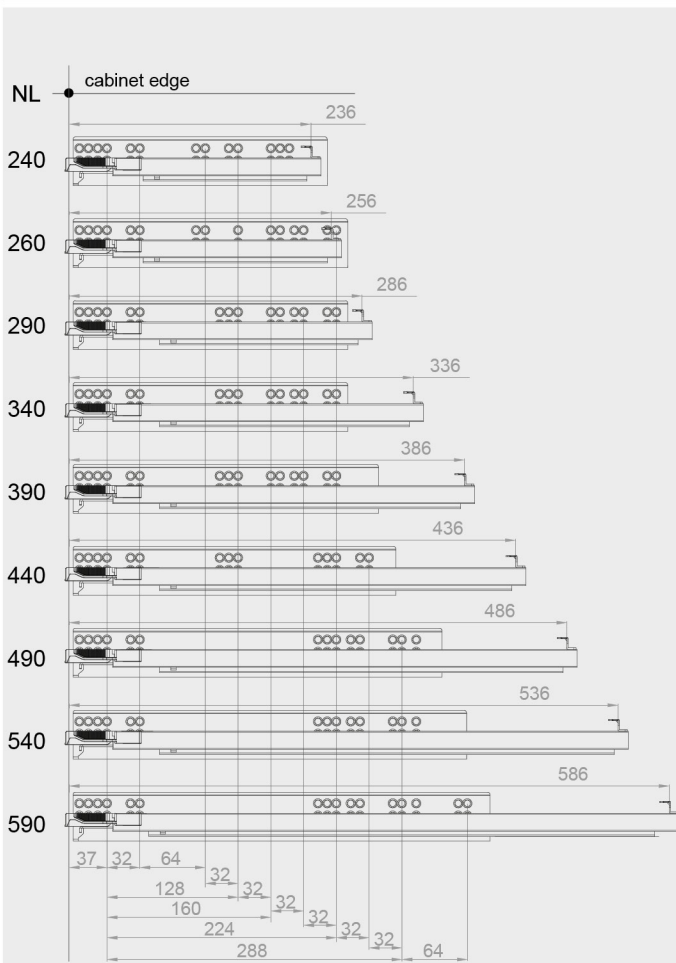
3-Fold concealed drawer slide(19mm with handle)



### Technical specifications:

- Main material: galvanized sheet.
- Max loading capacity: 30kg.
- Life guarantee: 50,000 cycles.
- Thickness of board:  $\leq 19$ mm.

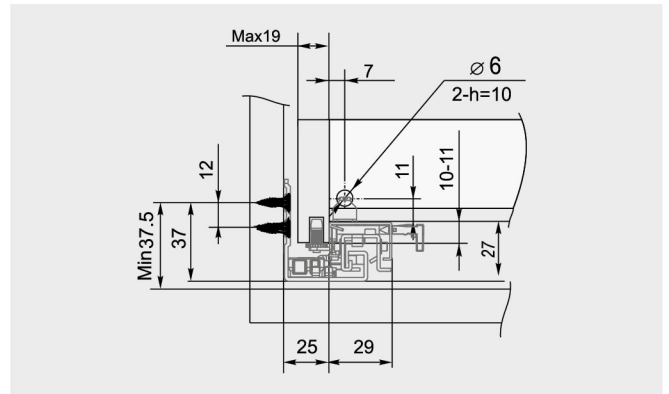
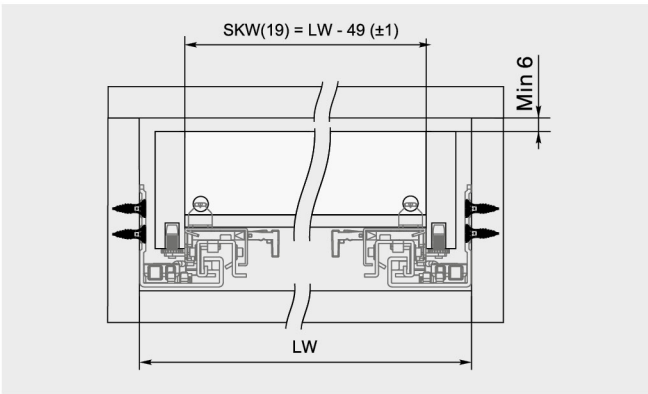
### Installation dimensions



LT - Cabinet inner depth  
 NL - Nominal slide length  
 X - Board thickness



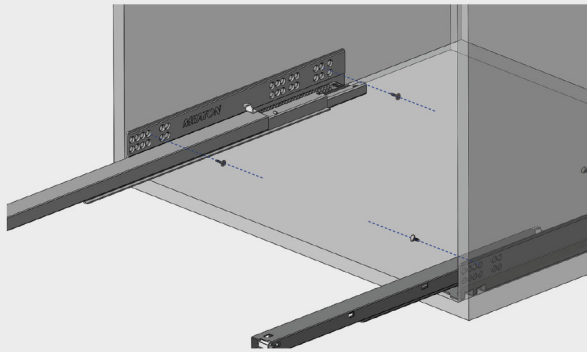
**3-Fold concealed push-open drawer slide(19mm with handle)**



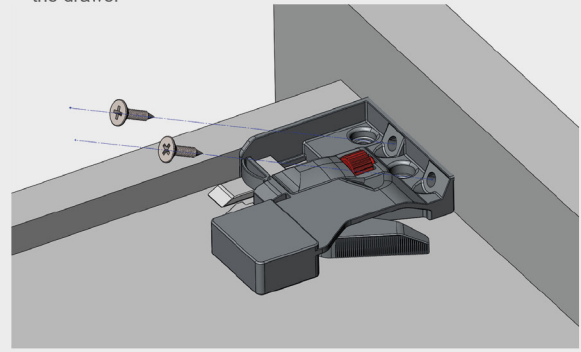
LW - Cabinet inner width  
 SKW(19) - Drawer inner width(≤19mm drawer side thickness)

**Installation**

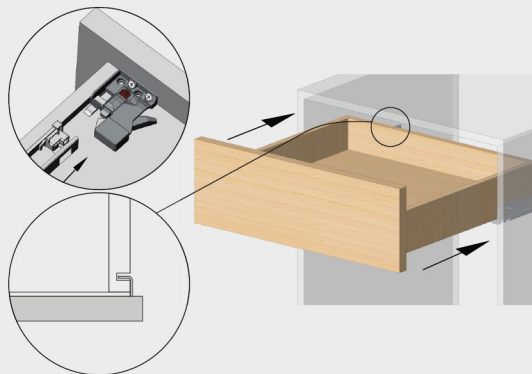
1. Install the slides on the cabinet



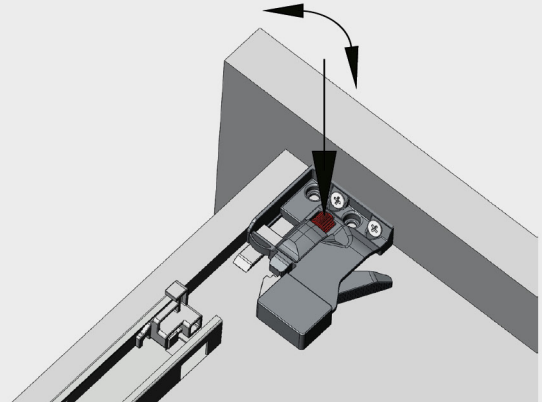
2. Install left/ right handle in the front of the drawer



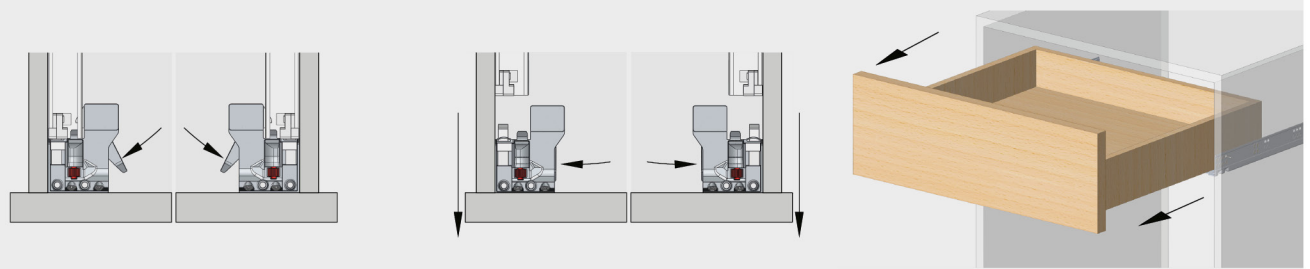
3. Install the drawer on the slides, slide hooks insert into the pre-drilled holes on the drawer back panel



4. Adjust the front panel with plastic wheel on the handle, 0-2.5mm



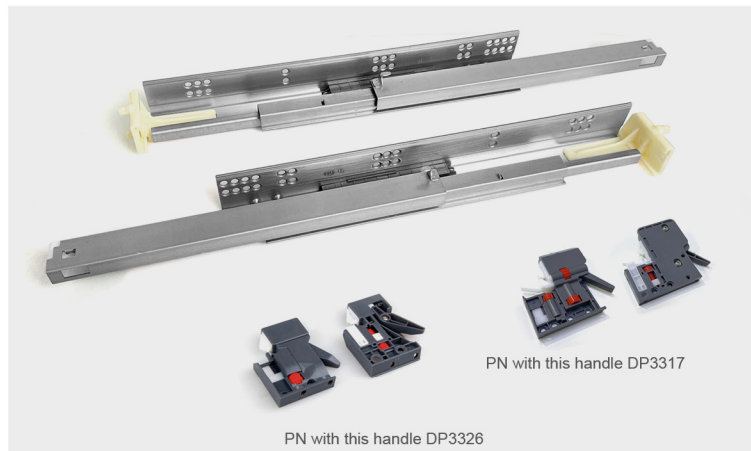
5. Push the handle lever to unlock the drawer, then pull out the drawer



# PUSH - OPEN

## DP3326

### 3-Fold concealed drawer slide(16mm with handle) - American type



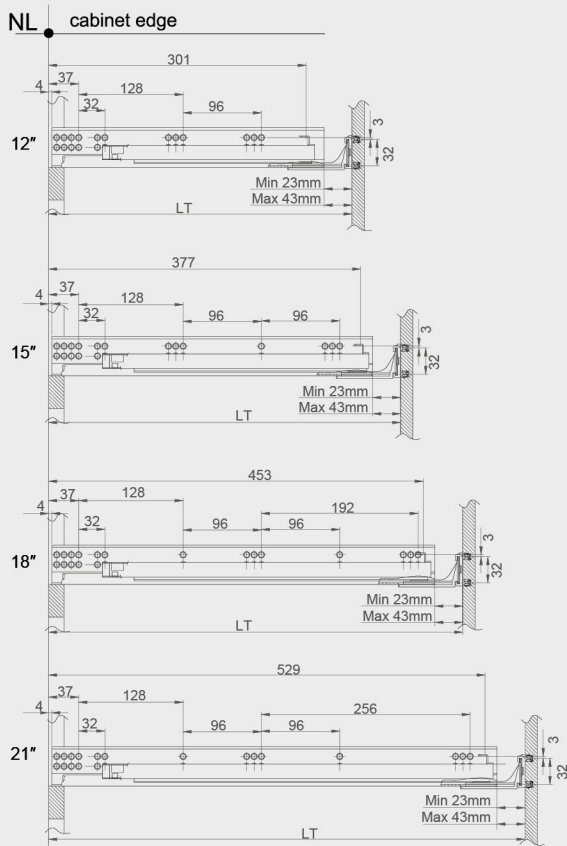
PN with this handle DP3317

PN with this handle DP3326

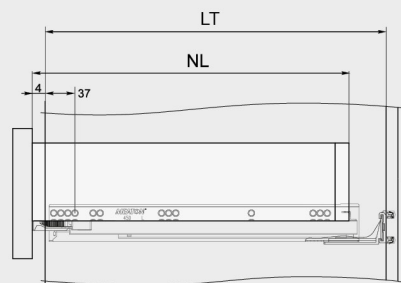
#### Technical specifications:

- Main material: galvanized sheet.
- Max loading capacity: 30kg.
- Life guarantee: 50,000 cycles.
- Usage: variety of drawers.
- Thickness of board:  $\leq 16$ mm.

#### Installation dimensions

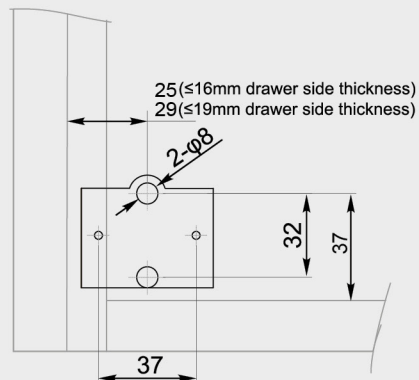


NL	NL	Min LT	Max LT
12"	305	338	358
15"	381	416	436
18"	457	494	514
21"	533	568	588



Standard drawer

NL - nominal slide length



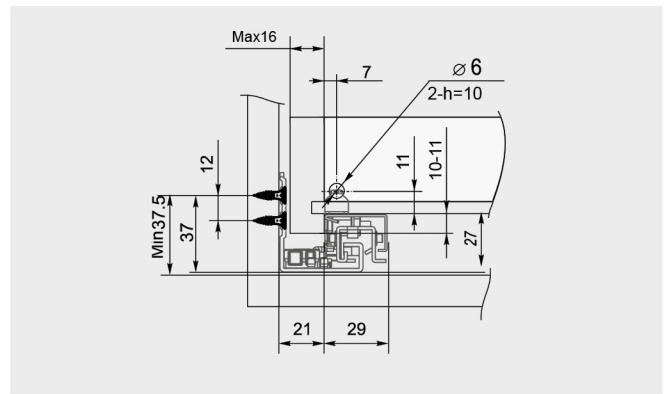
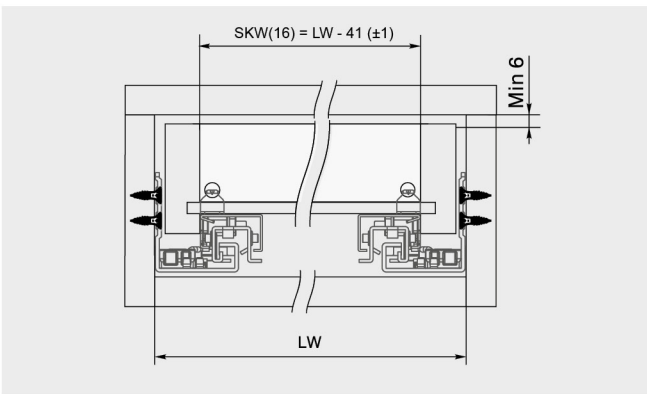
LT - Cabinet inner depth

NL - Nominal slide length

X - Board thickness



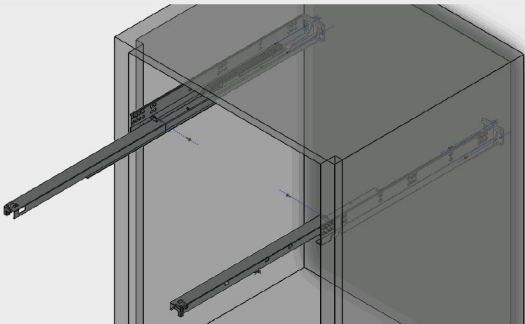
## 3-Fold concealed push-open drawer slide(16mm with handle) - American type



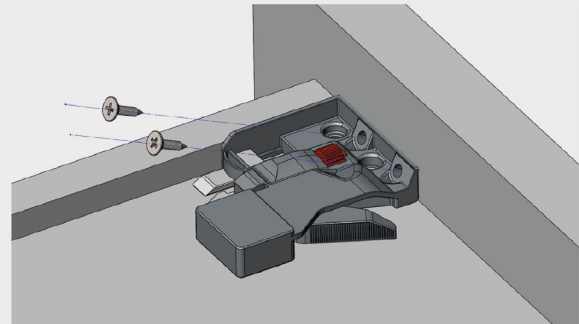
LW - Cabinet inner width  
SKW(16) - Drawer inner width(≤16mm drawer side thickness)

### Installation

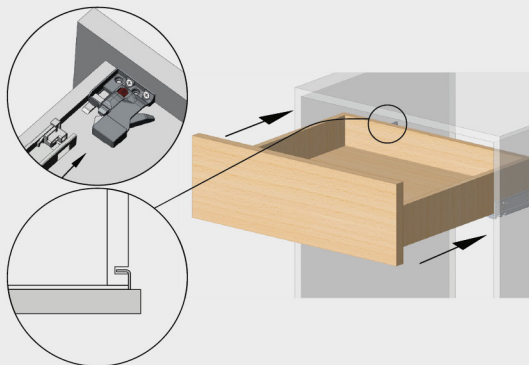
1. Install the slides on the cabinet



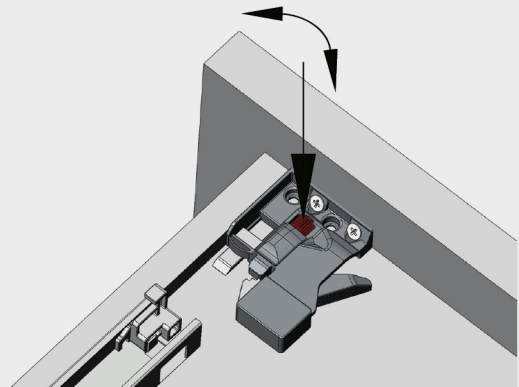
2. Install left/ right handle in the front of the drawer



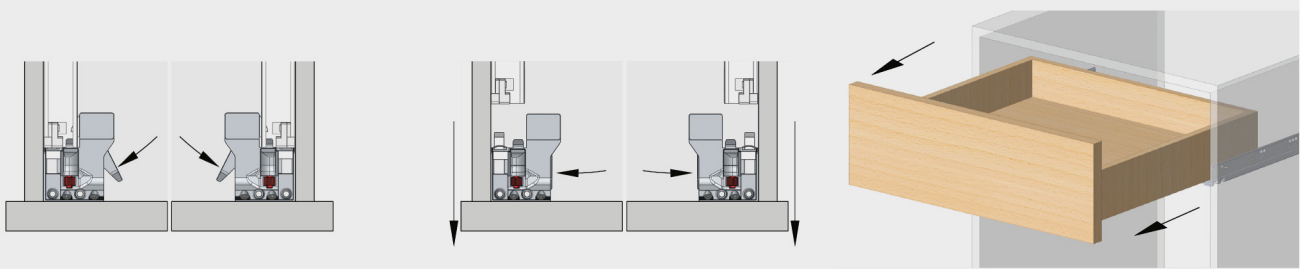
3. Install the drawer on the slides, slide hooks insert into the pre-drilled holes on the drawer back panel



4. Adjust the front panel with plastic wheel on the handle, 0-2.5mm



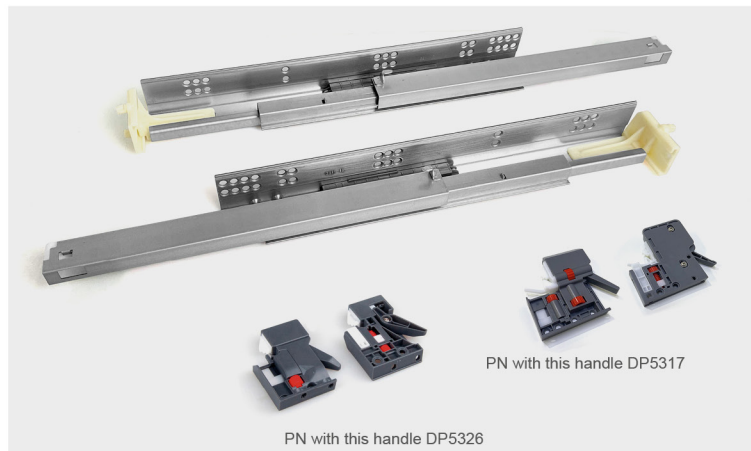
5. Push the handle lever to unlock the drawer, then pull out the drawer



# PUSH - OPEN

## DP5326

### 3-Fold concealed drawer slide(19mm with handle) - American type



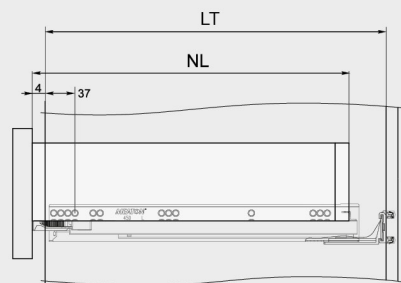
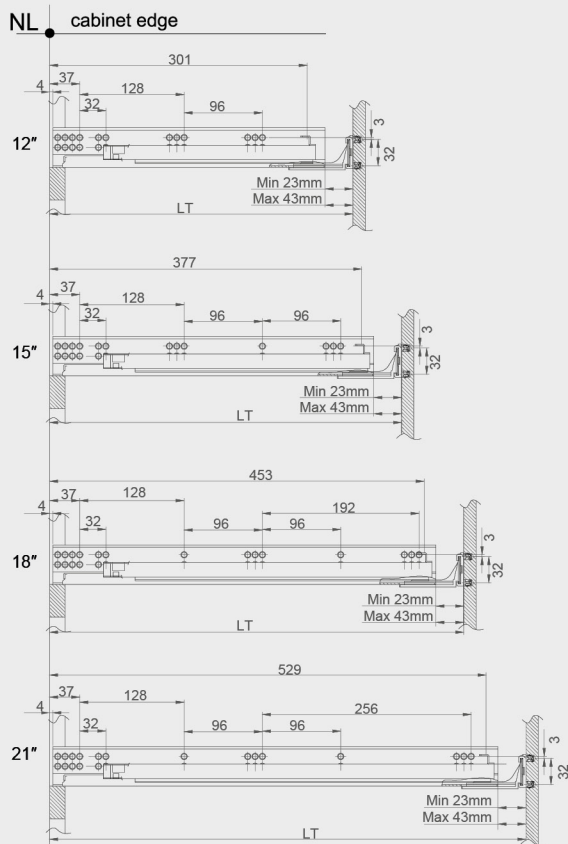
#### Technical specifications:

- Main material: galvanized sheet.
- Max loading capacity: 30kg.
- Life guarantee: 50,000 cycles.
- Usage: variety of drawers.
- Thickness of board:  $\leq 19\text{mm}$ .

PN with this handle DP5317

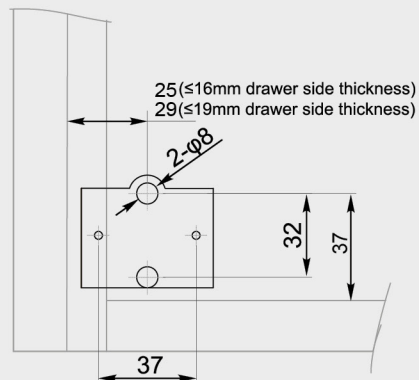
PN with this handle DP5326

#### Installation dimensions



Standard drawer

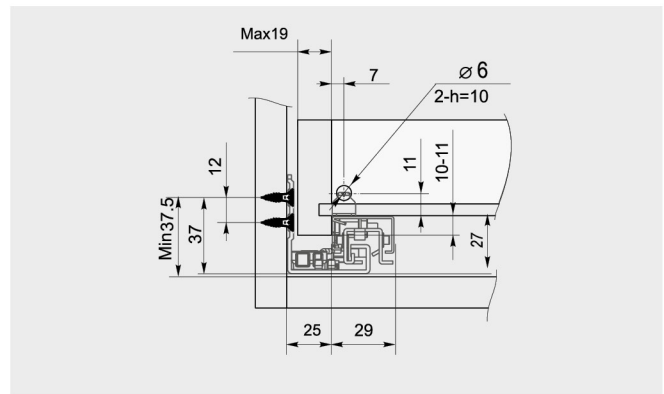
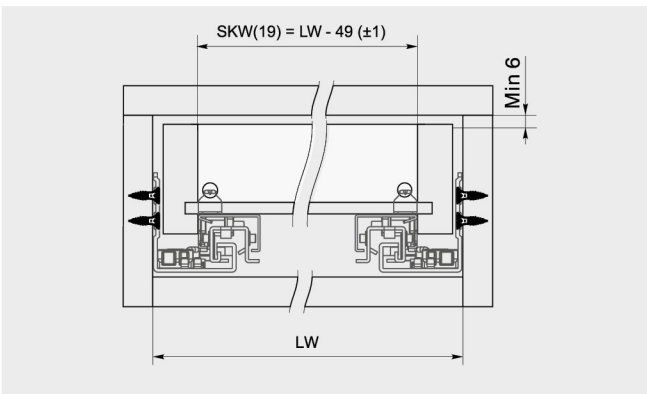
NL - nominal slide length



- LT - Cabinet inner depth
- NL - Nominal slide length
- X - Board thickness



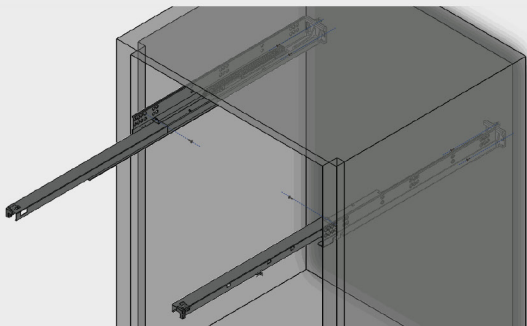
**3-Fold concealed push-open drawer slide(19mm with handle) - American type**



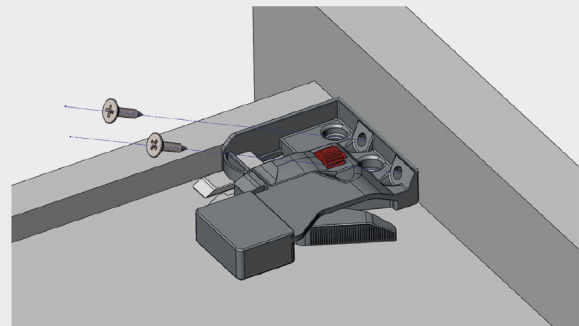
LW - Cabinet inner width  
SKW(19) - Drawer inner width(≤19mm drawer side thickness)

**Installation**

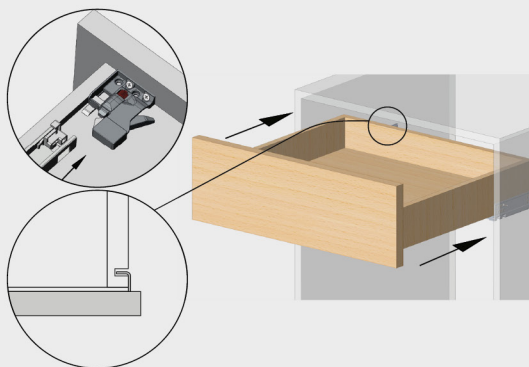
1. Install the slides on the cabinet



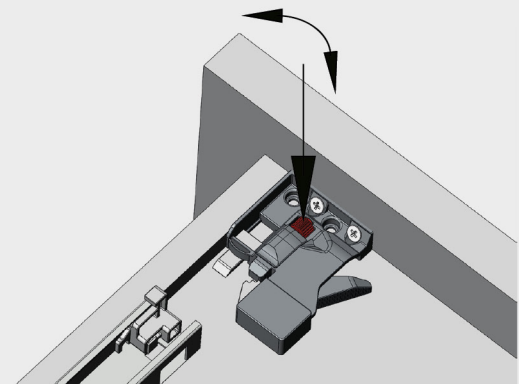
2. Install left/ right handle in the front of the drawer



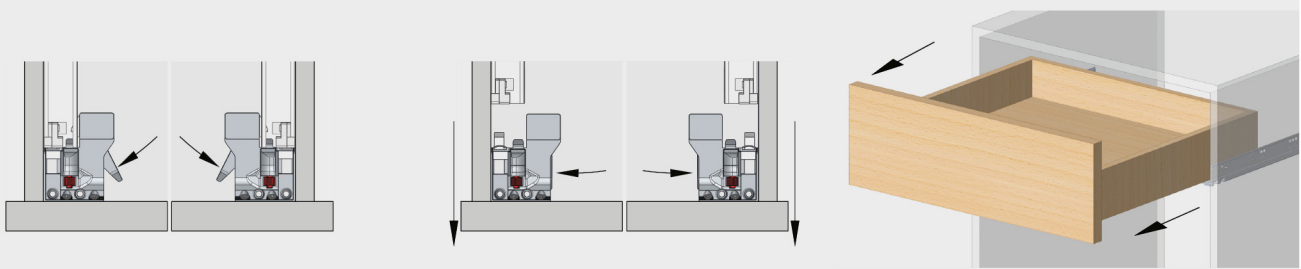
3. Install the drawer on the slides, slide hooks insert into the pre-drilled holes on the drawer back panel



4. Adjust the front panel with plastic wheel on the handle, 0-2.5mm



5. Push the handle lever to unlock the drawer, then pull out the drawer

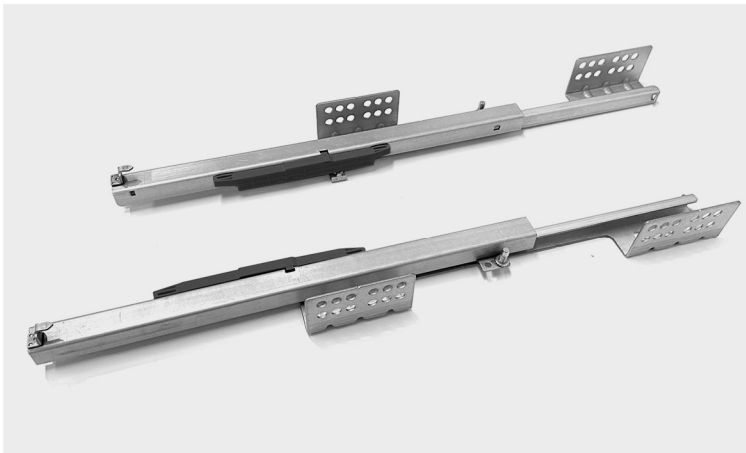




# PUSH - OPEN

## DP6201

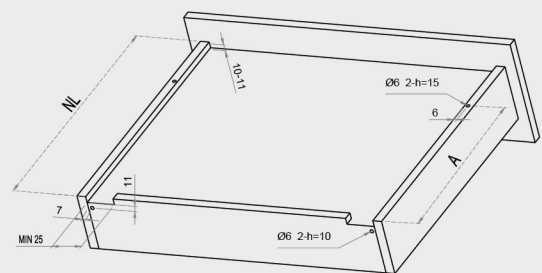
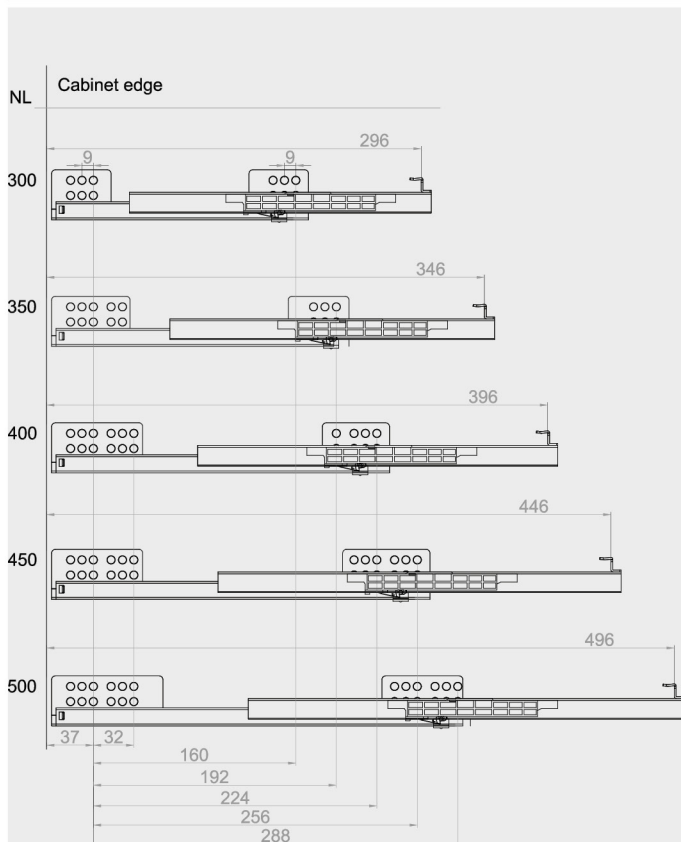
2-Fold light concealed drawer slide(16mm with bolt locking)



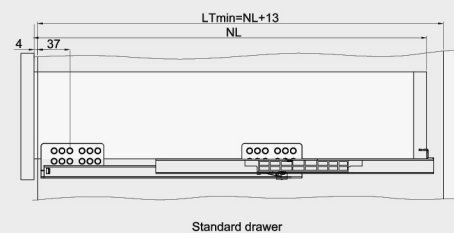
### Technical specifications:

- Main material: galvanized sheet.
- Max loading capacity: 20kg.
- Life guarantee: 40,000 cycles.
- Thickness of board:  $\leq 16$ mm.

### Installation dimensions



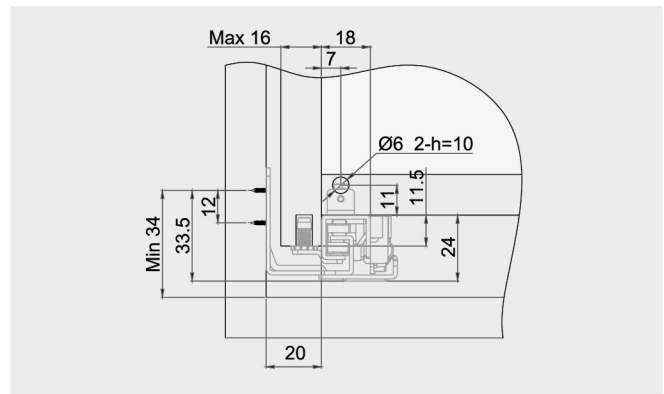
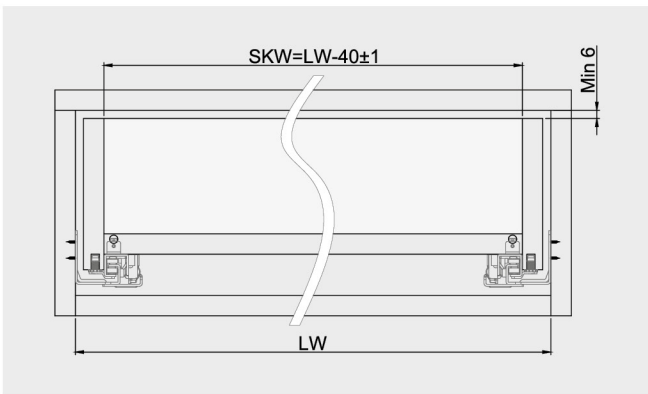
NL	250	300	350	400	450	500
A	188.5	188.5	221.5	249.5	283.5	309.5



LT - Cabinet inner depth  
 NL - Nominal slide length  
 X - Board thickness



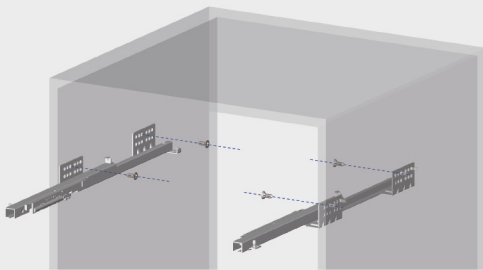
## 2-Fold light concealed **push-open** drawer slide(16mm with bolt locking)



LW - Cabinet inner width  
 SKW(16) - Drawer inner width( $\leq 16$ mm drawer side thickness)

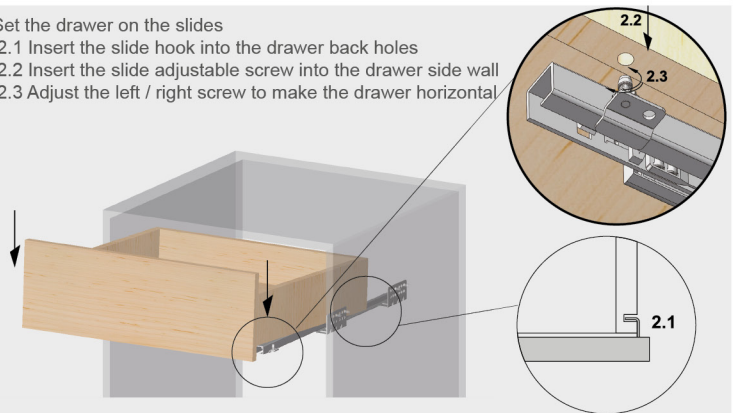
### Installation

1. Insert the slides into the cabinet



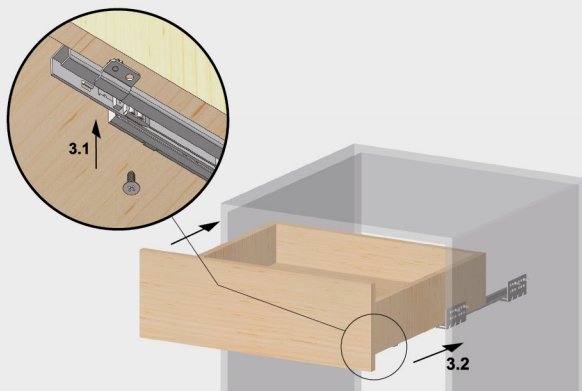
2. Set the drawer on the slides

- 2.1 Insert the slide hook into the drawer back holes
- 2.2 Insert the slide adjustable screw into the drawer side wall
- 2.3 Adjust the left / right screw to make the drawer horizontal



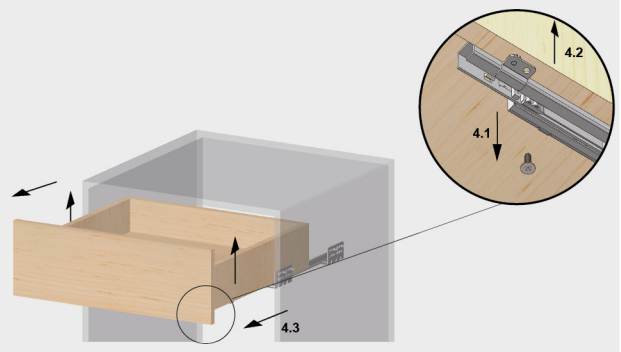
3. Fixing the drawer and slides

- 3.1 Insert the tapping screws into the corresponding holes on the left / right slides and tap into the drawer
- 3.2 Close the drawer



4. Disassembly of the drawer

- 4.1 Take out the tapping screw to separate the drawer from the slides
- 4.2 Take up the drawer
- 4.3 Draw out the drawer



# PUSH - OPEN

**DP6331**

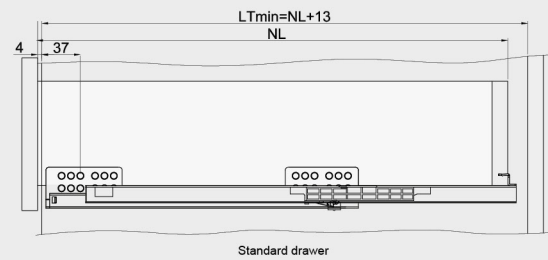
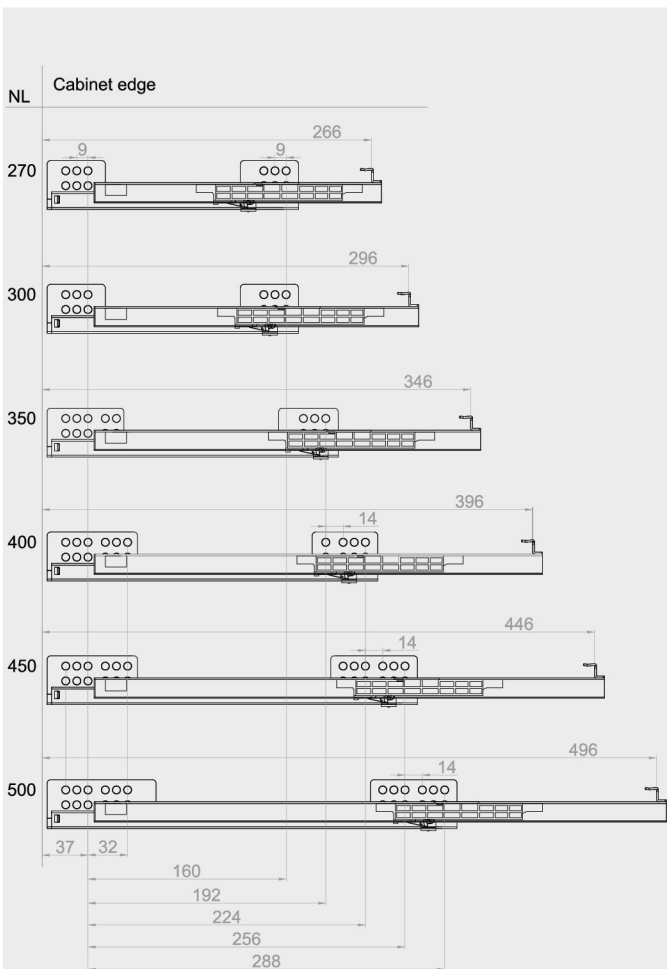
2-Fold light concealed drawer slide(16mm with handle)



## Technical specifications:

- Main material: galvanized sheet.
- Max loading capacity: 20kg.
- Life guarantee: 40,000 cycles.
- Thickness of board:  $\leq 16\text{mm}$ .

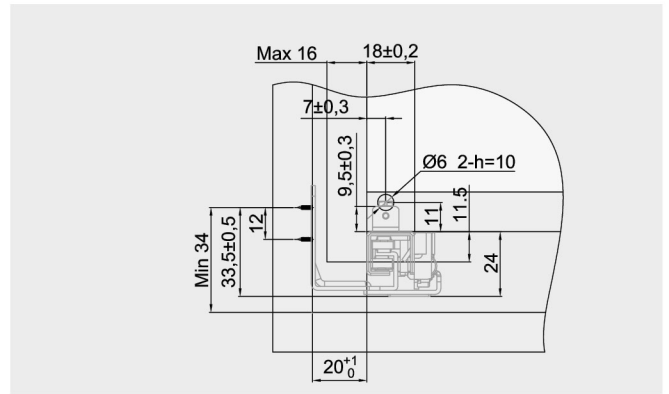
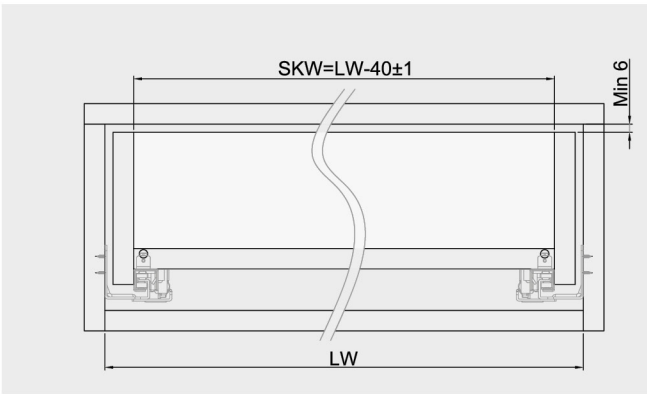
## Installation dimensions



LT - Cabinet inner depth  
NL - Nominal slide length  
X - Board thickness



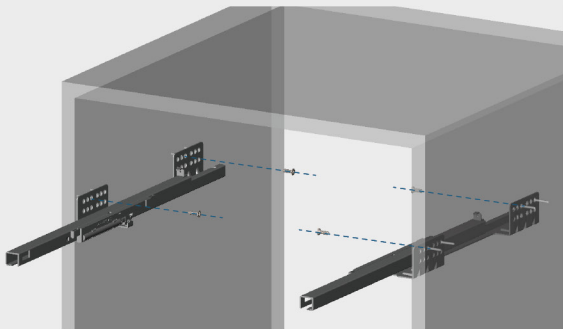
## 2-Fold light concealed **push-open** drawer slide(16mm with handle)



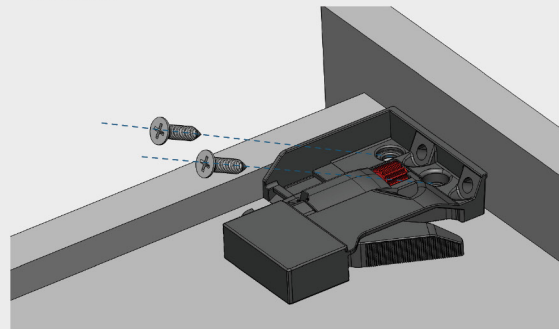
LW - Cabinet inner width  
SKW(16) - Drawer inner width( $\leq 16$ mm drawer side thickness)

### Installation

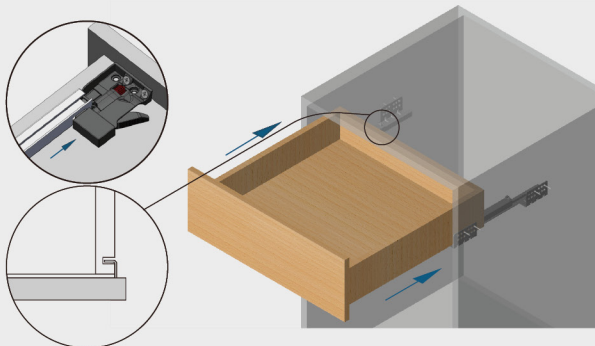
1. Install the slides on the cabinet



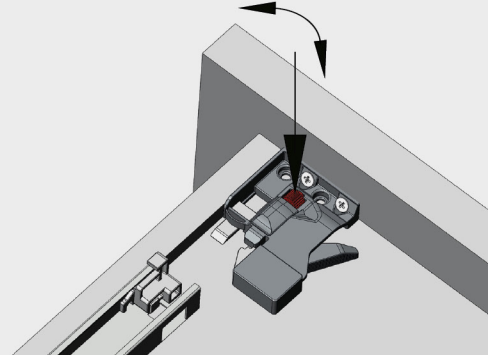
2. Install left/ right handle in the front of the drawer



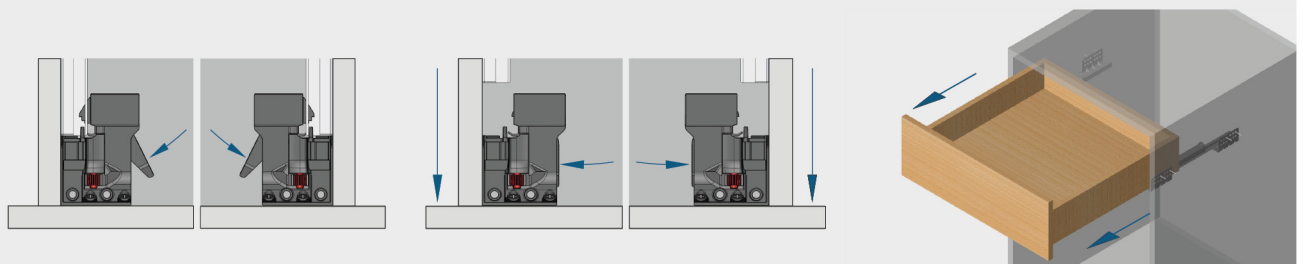
3. Install the drawer on the slides, slide hooks insert into the pre-drilled holes on the drawer back panel



4. Adjust the front panel with plastic wheel on the handle, 0-2.5mm



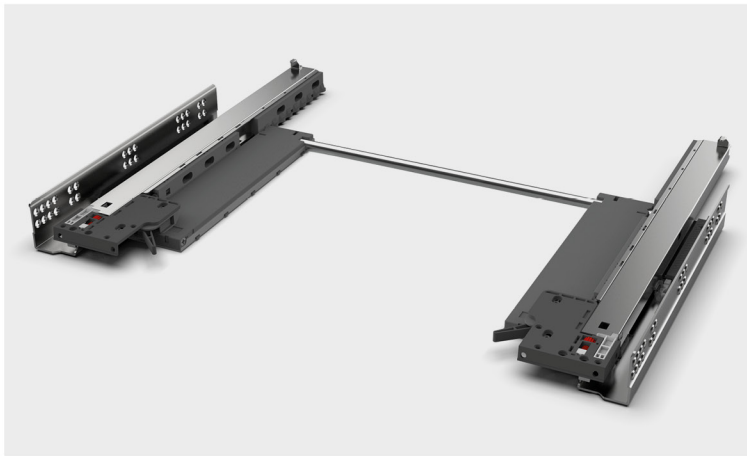
5. Push the handle lever to unlock the drawer, then pull out the drawer



# SOFT - CLOSING & PUSH - OPEN

## DG3325 & DG5325

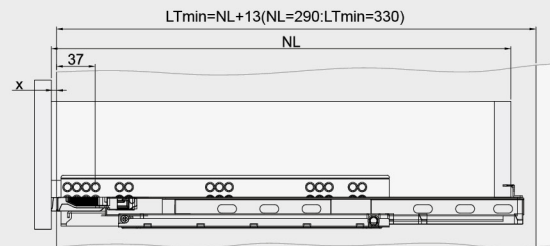
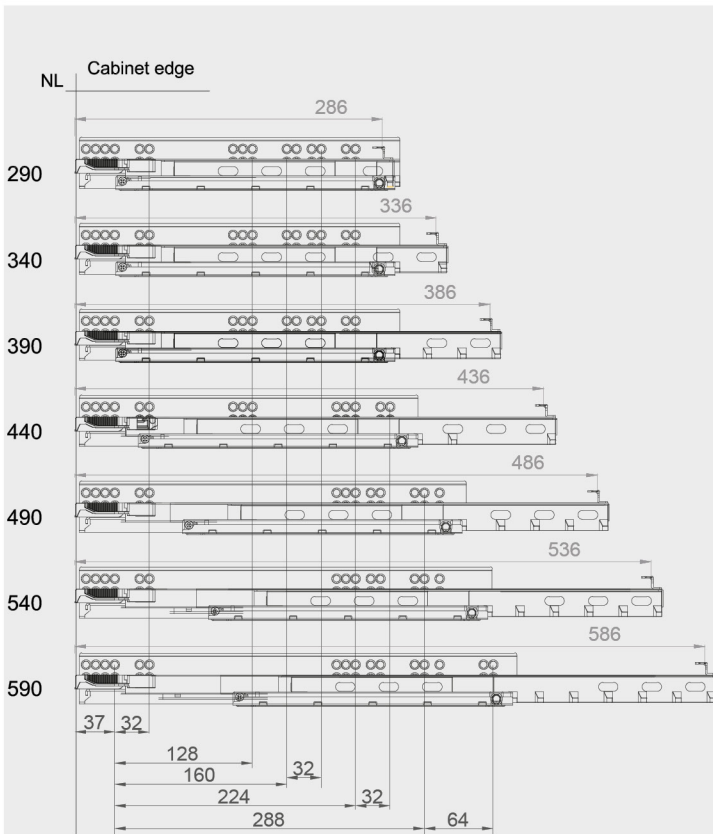
### 3-Fold 2 in 1 undermount slide(with handle)



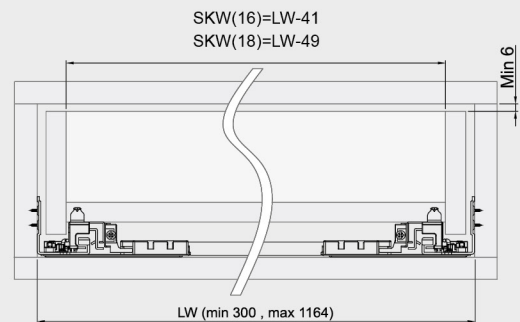
#### Technical specifications:

- Main material: galvanized sheet.
- Max loading capacity: 30kg.
- Life guarantee: 50,000 cycles.
- Thickness of board: DG3325: ≤16mm  
DG5325: ≤18mm

#### Installation dimensions



Standard drawer



LT - Cabinet inner depth

NL - Nominal slide length

X - min 3 mm, max 7 mm

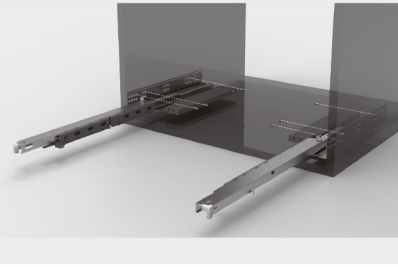
LW - Cabinet inner width

SKW(16) - Drawer inner width (≤16mm drawer side thickness)

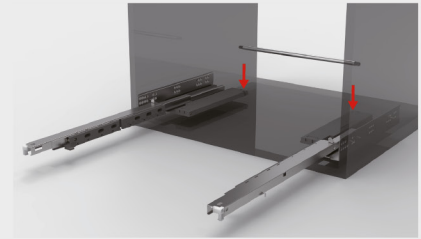
SKW(18) - Drawer inner width (≤18mm drawer side thickness)

## 3-Fold soft-closing & push-open 2 in 1 undermount slide(with handle)

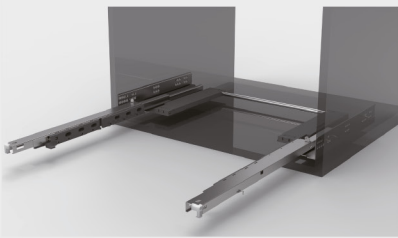
1. Install the slides on the cabinet



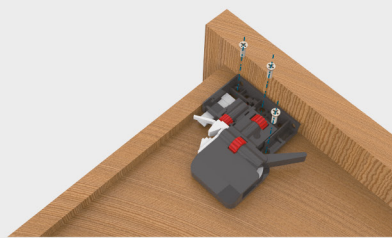
2. Install the synchronized linkage on the slides



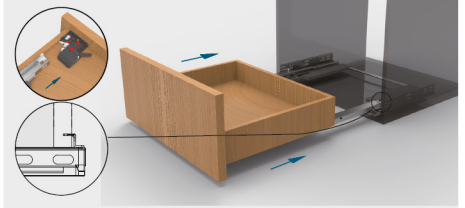
Install the synchronized linkage on the slides



3. Install left/ right handle in the front of the drawer

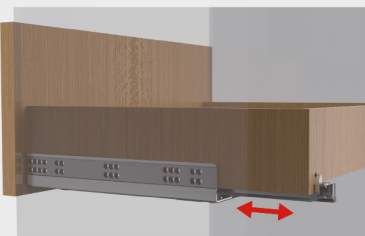
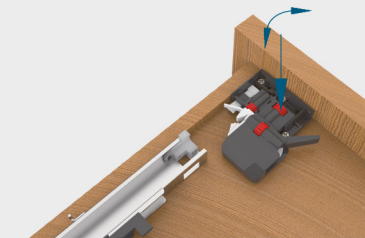
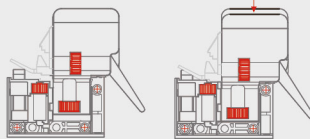


4. Install the drawer on the slides, slide hooks insert into the pre-drilled holes on the drawer back panel

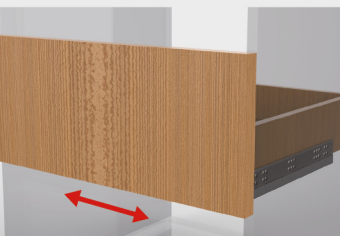
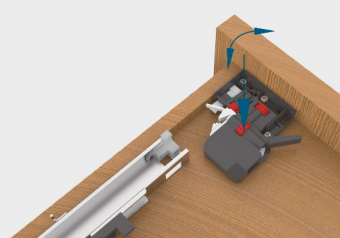
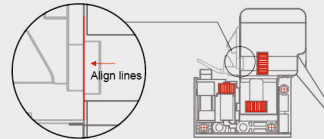


5. Adjust the front panel with plastic wheels on the handle.  
5.1 Front and back adjustment  $\pm 2$ mm.

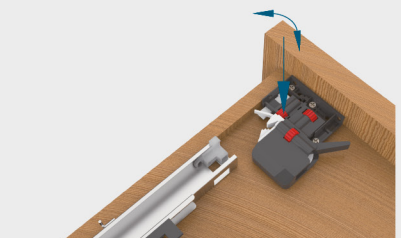
Factory location      Adjustable maximum location



5.2 Left and right adjustment  $\pm 2$ mm.



5.3 Up and down adjustment 0-3mm.



6. Push the handle

