



**MEATON**

■ Ball Bearing Slide

DB3501

3-Fold ball bearing slide

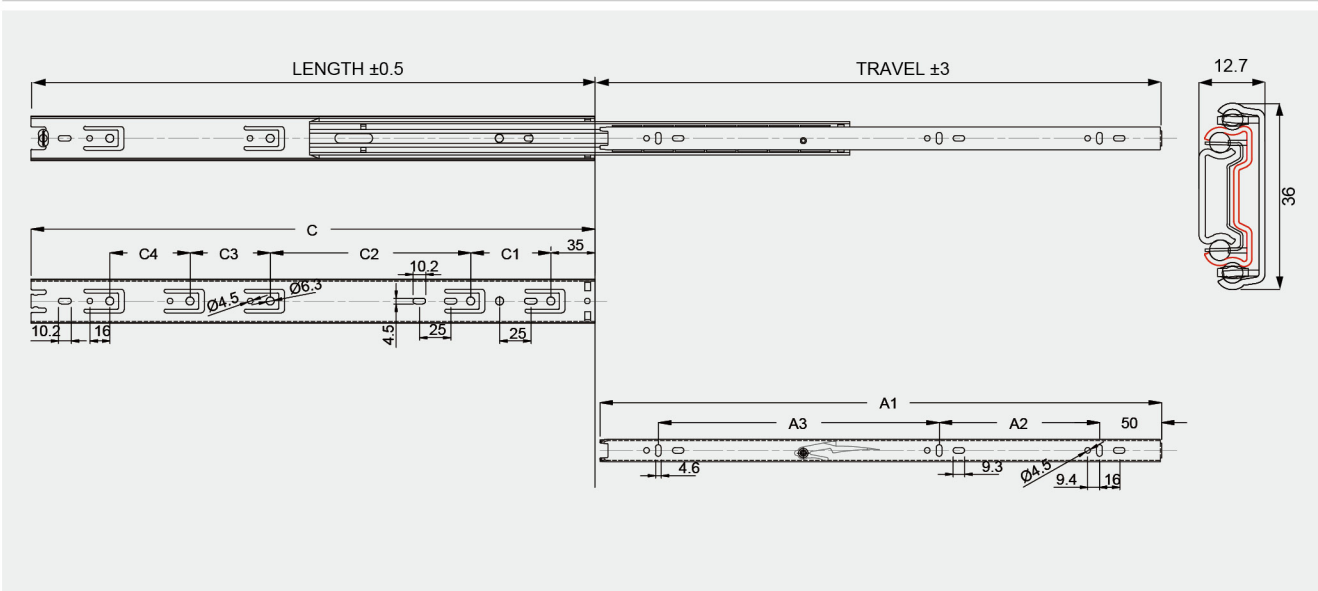


Technical specifications:

- Width: 35mm
- Size: 10"-24"
- Finish: zinc-plated
- Material: cold-rolled steel
- Thickness Range: 1.2 x 1.0 x 1.2mm
- Color: zinc, black
- General full extension ball bearing slide. Chipboard screw on.
- Smooth motion on steel balls. Increased general mechanism.
- Length range from 250 to 600mm.

C  
Ball Bearing Slide

Installation indication



Installation indication

Unit: mm

Model	Length	Travel	A1	A2	A3	C	C1	C2	C3	C4
DB3501-250	250	255	247	160	/	250	64	96	/	/
DB3501-300	300	300	297	224	/	300	64	128	/	/
DB3501-350	350	345	347	96	160	350	64	96	96	/
DB3501-400	400	405	397	128	192	400	64	160	64	/
DB3501-450	450	450	447	128	224	450	64	160	128	/
DB3501-500	500	505	497	160	256	500	64	160	128	/
DB3501-550	550	550	547	192	256	550	64	160	128	96
DB3501-600	600	600	597	224	256	600	64	160	128	128

# SOFT - CLOSING

## DD3501

### 3-Fold soft-closing ball bearing slide



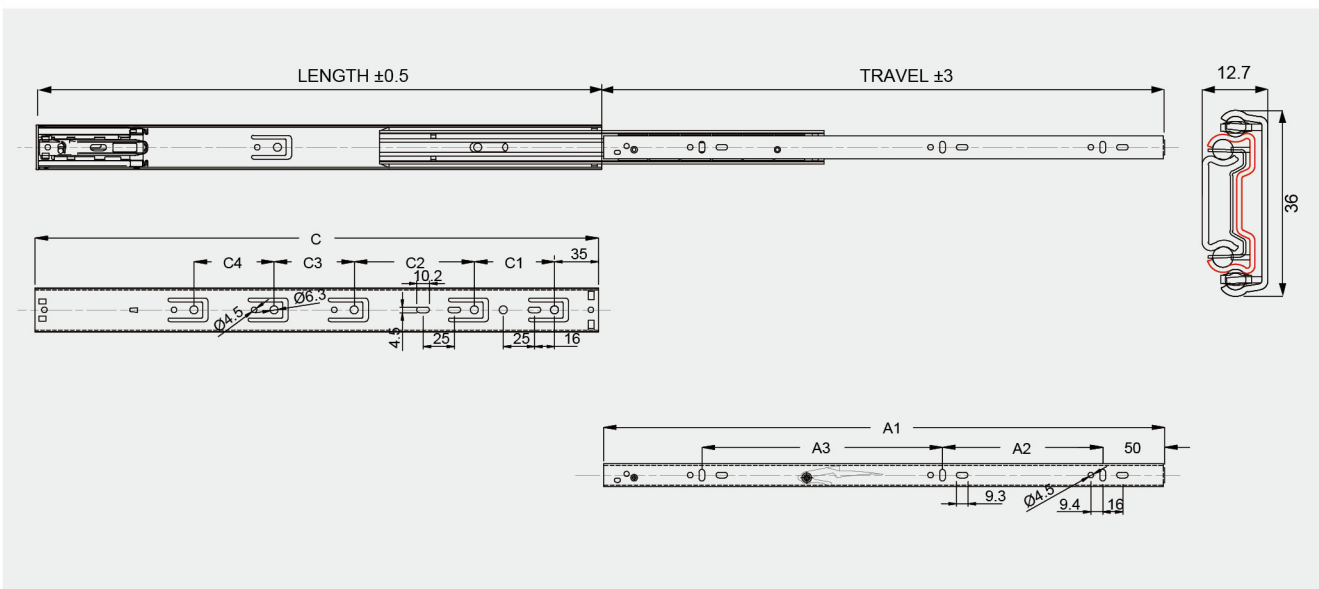
Ball Bearing Slide



#### Technical specifications:

- Width: 35mm
- Size: 10"-24"
- Finish: zinc-plated
- Material: cold-rolled steel
- Thickness Range: 1.2 x 1.0 x 1.2mm
- Color: zinc, black
- Soft-closing full extension ball bearing slide. Chipboard screw on.
- Smooth motion on steel balls. Increased Soft-closing mechanism.
- Length range from 250 to 600mm.

#### Installation indication



#### Installation indication

Unit: mm

Model	Length	Travel	A1	A2	A3	C	C1	C2	C3	C4
DD3501-250	250	170	247	128	/	250	64	/	/	/
DD3501-300	300	270	297	192	/	300	64	/	/	/
DD3501-350	350	340	347	96	128	350	64	96	/	/
DD3501-400	400	395	397	128	160	400	64	160	/	/
DD3501-450	450	450	447	128	192	450	64	160	/	/
DD3501-500	500	500	497	160	224	500	64	160	96	/
DD3501-550	550	550	547	192	224	550	64	160	96	96
DD3501-600	600	600	597	224	256	600	64	160	96	96

## DF3501

### 3-Fold push-open ball bearing slide

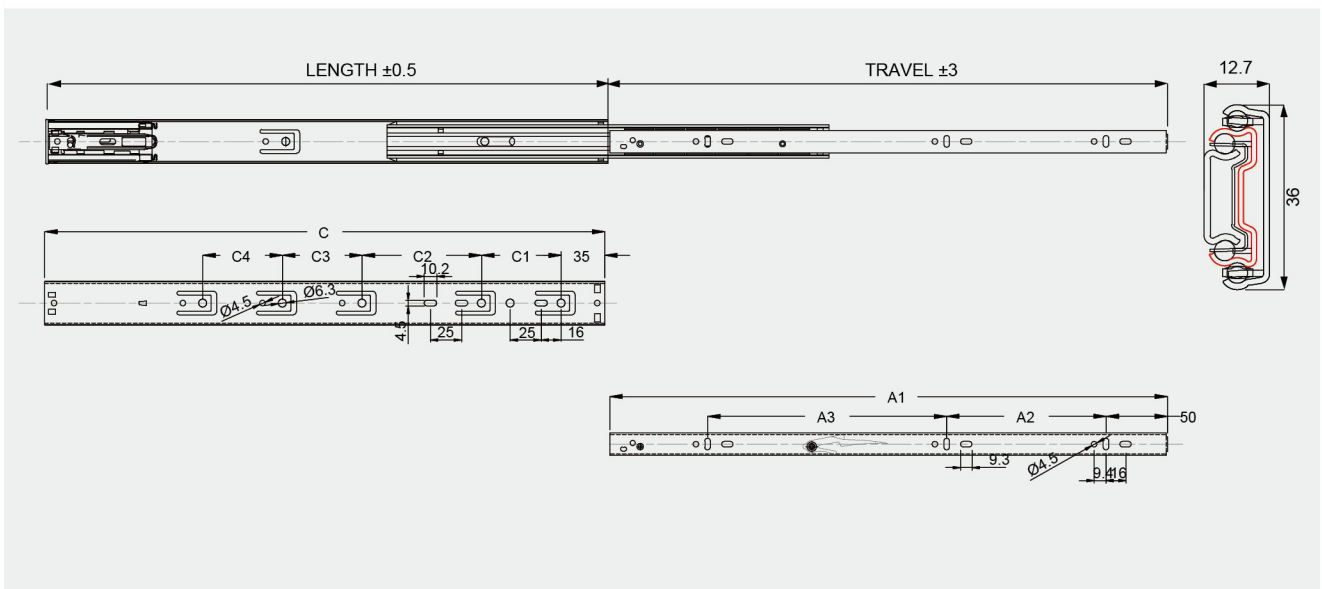


#### Technical specifications:

- Width: 35mm
- Size: 10"-24"
- Finish: zinc-plated
- Material: cold-rolled steel
- Thickness Range: 1.2 x 1.0 x 1.2mm
- Color: zinc, black
- Push-open full extension ball bearing slide. Chipboard screw on.
- Smooth motion on steel balls. Increased Push-open mechanism.
- Length range from 250 to 600mm.

C  
Ball Bearing Slide

#### Installation indication



#### Installation indication

Unit: mm

Model	Length	Travel	A1	A2	A3	C	C1	C2	C3	C4
DF3501-250	250	170	247	128	/	250	64	/	/	/
DF3501-300	300	270	297	192	/	300	64	/	/	/
DF3501-350	350	340	347	96	128	350	64	96	/	/
DF3501-400	400	395	397	128	160	400	64	160	/	/
DF3501-450	450	450	447	128	192	450	64	160	/	/
DF3501-500	500	500	497	160	224	500	64	160	96	/
DF3501-550	550	550	547	192	224	550	64	160	96	/
DF3501-600	600	600	597	224	256	600	64	160	96	96

# GENERAL

## DB4501

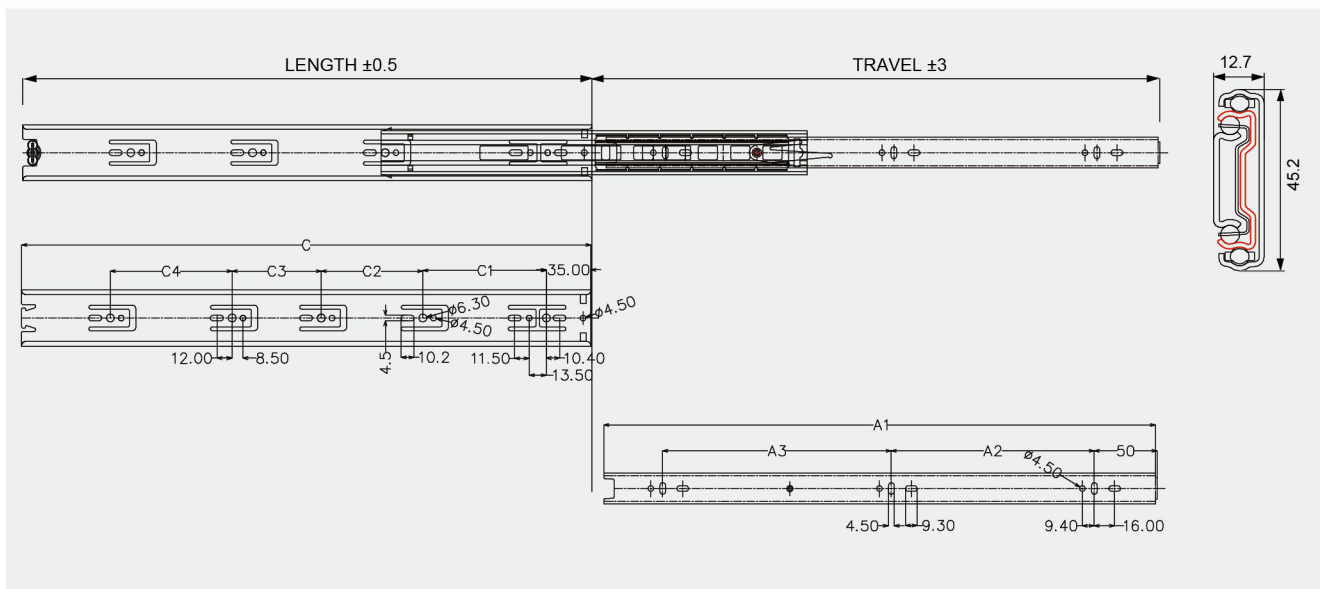
### 3-Fold ball bearing slide



#### Technical specifications:

- Width: 45mm
- Size: 10"-24"
- Finish: zinc-plated
- Material: cold-rolled steel
- Thickness Range: 1.0 x 1.0 x 1.2mm  
1.2 x 1.2 x 1.5mm
- Color: zinc, black
- General full extension ball bearing slide. Chipboard screw on.
- Smooth motion on steel balls. Increased General mechanism.
- Length range from 250 to 600mm.

#### Installation indication



#### Installation indication

Unit: mm

Model	Length	Travel	A1	A2	A3	C	C1	C2	C3	C4
DB4501-250	250	250	246.8	169	/	250	96	64	/	/
DB4501-300	300	300	296.8	96	128	300	128	96	/	/
DB4501-350	350	355	346.8	128	128	350	128	128	/	/
DB4501-400	400	400	396.8	128	192	400	128	96	64	/
DB4501-450	450	450	446.8	160	192	450	128	96	128	/
DB4501-500	500	505	496.8	192	224	500	128	96	128	/
DB4501-550	550	550	546.8	224	224	550	128	96	128	96
DB4501-600	600	600	596.8	224	288	600	128	96	128	128

## DD4509

### 3-Fold soft-closing ball bearing slide

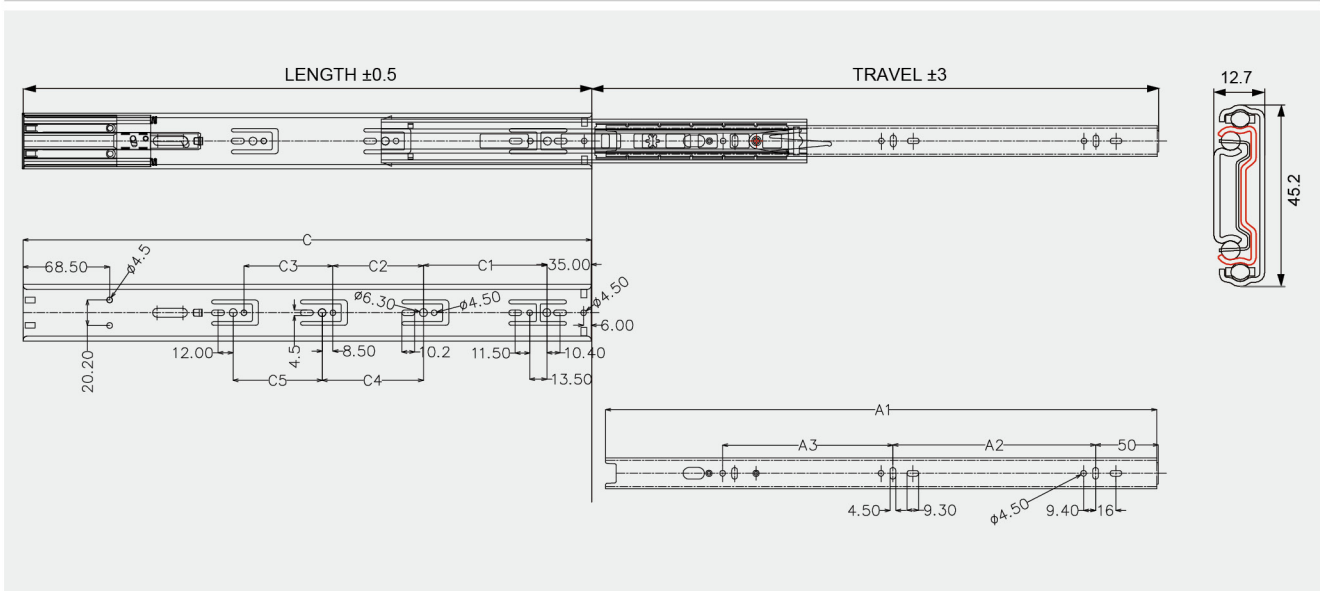


#### Technical specifications:

- Width: 45mm
- Size: 10"-24"
- Finish: zinc-plated
- Material: cold-rolled steel
- Thickness Range: 1.0 x 1.0 x 1.2mm  
1.2 x 1.2 x 1.5mm
- Color: zinc, black
- Soft-closing full extension ball bearing slide. Chipboard screw on.
- Smooth motion on steel balls. Increased Soft-closing mechanism.
- Length range from 250 to 600mm.

**C**  
Ball Bearing Slide

#### Installation indication



#### Installation indication

Unit: mm

Model	Length	Travel	A1	A2	A3	C	C1	C2	C3	C4	C4
DD4509-250	250	130	235	90	/	248.5	/	/	/	/	/
DD4509-300	300	230	285	64	76	298.5	96	/	/	/	/
DD4509-350	350	300	335	96	94	348.5	72.5	55.5	/	64	/
DD4509-400	400	380	385	128	112	398.5	128	55.5	/	64	/
DD4509-450	450	445	435	160	134.4	448.5	128	96	/	104.5	/
DD4509-500	500	495	485	192	137.4	498.5	128	96	64	104.5	64
DD4509-550	550	545	535	192	201.4	548.5	128	96	96	104.5	96
DD4509-600	600	595	585	224	201.4	598.5	128	96	128	104.5	128

# PUSH - OPEN

## DF4503

### 3-Fold push-open ball bearing slide



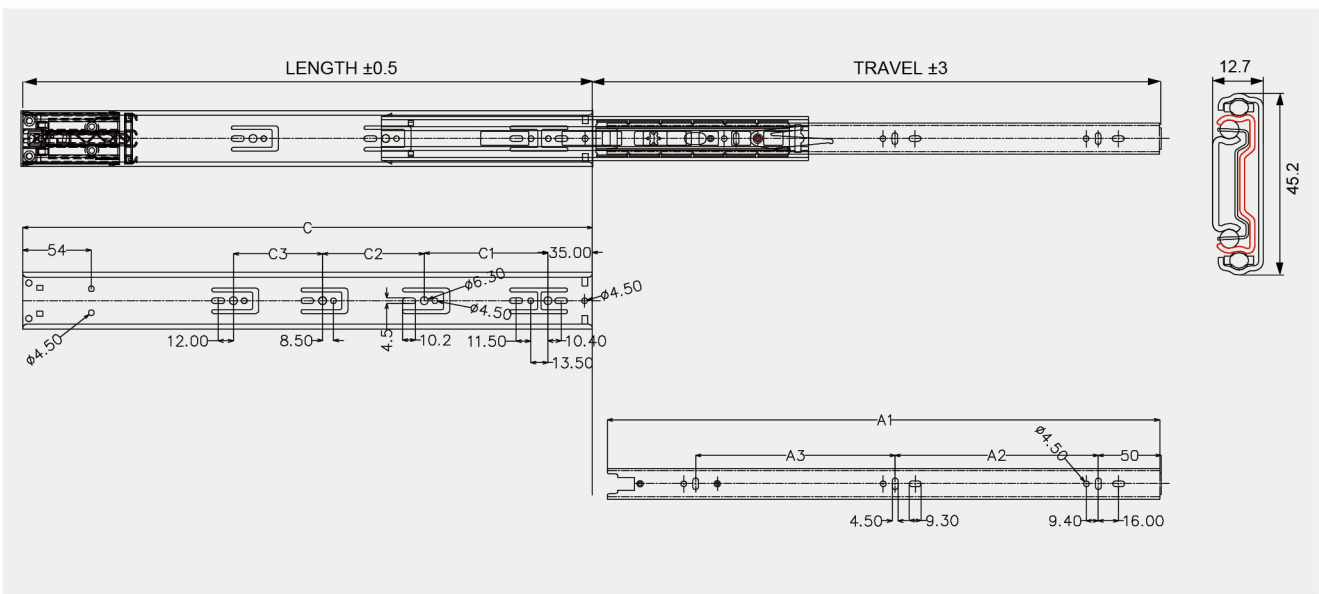
Ball Bearing Slide



#### Technical specifications:

- Width: 45mm
- Size: 10"-24"
- Finish: zinc-plated
- Material: cold-rolled steel
- Thickness Range: 1.0 x 1.0 x 1.2mm  
1.2 x 1.2 x 1.5mm
- Color: zinc, black

#### Installation indication



#### Installation indication

Unit: mm

Model	Length	Travel	A1	A2	A3	C	C1	C2	C3
DF4503-250	250	175	235	128	/	248.5	64	/	/
DF4503-300	300	245	285	192	/	298.5	96	/	/
DF4503-350	350	315	335	96	128	348.5	96	64	/
DF4503-400	400	375	385	128	160	398.5	128	64	/
DF4503-450	450	430	435	160	160	448.5	128	128	/
DF4503-500	500	475	485	192	192	498.5	128	96	64
DF4503-550	550	525	535	192	224	548.5	128	96	128
DF4503-600	600	595	585	224	256	598.5	128	128	128

## DA4501

### 3-Fold soft-closing & push-open ball bearing slide

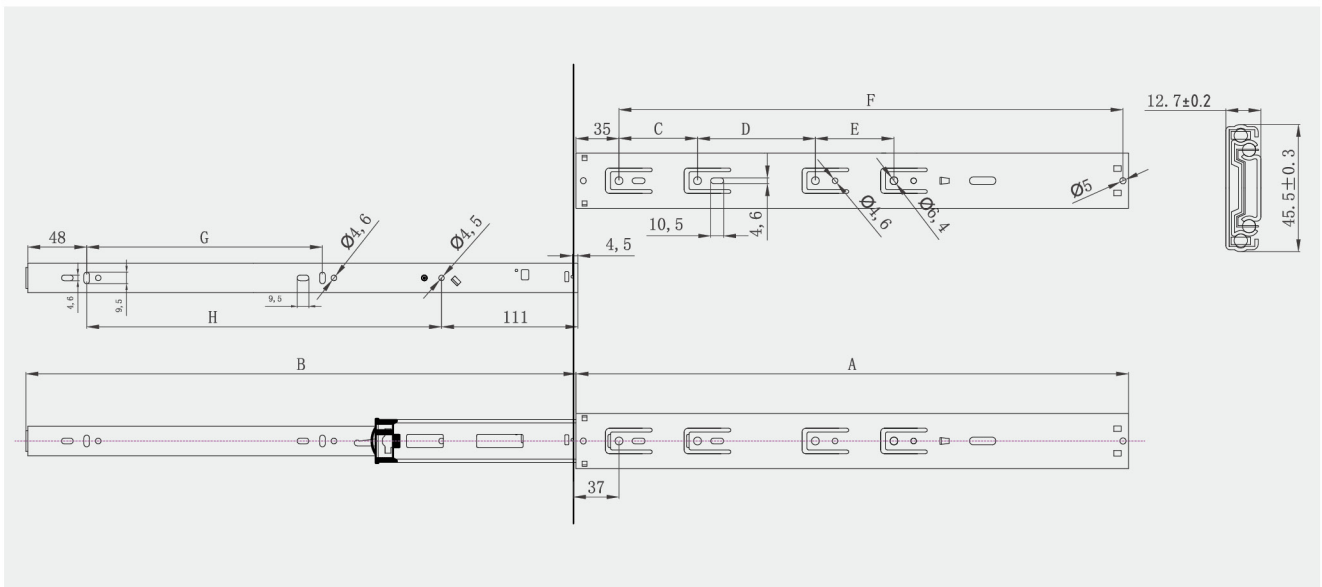


#### Technical specifications:

- Width: 45mm
- Size: 10"-24"
- Finish: zinc-plated
- Material: cold-rolled steel
- Thickness Range: 1.2 x 1.2 x 1.4mm
- Color: zinc, black

C  
Ball Bearing Slide

#### Installation indication



#### Installation indication

Unit: mm

Model	A	B	C	D	E	F	G	H
DA4501-250	250	160.5	/	/	/	210.5	/	89
DA4501-300	300	240.5	64	/	/	260.5	/	139
DA4501-350	350	304.5	64	64	/	310.5	96	189
DA4501-400	400	398	64	96	/	360.5	128	239
DA4501-450	450	448	64	96	64	410.5	192	289
DA4501-500	500	498	64	160	/	460.5	192	339
DA4501-550	550	548	64	160	64	510.5	224	389
DA4501-600	600	598	64	160	160	560.5	224	439



# GENERAL

## DB4201

### 3-Fold ball bearing slide



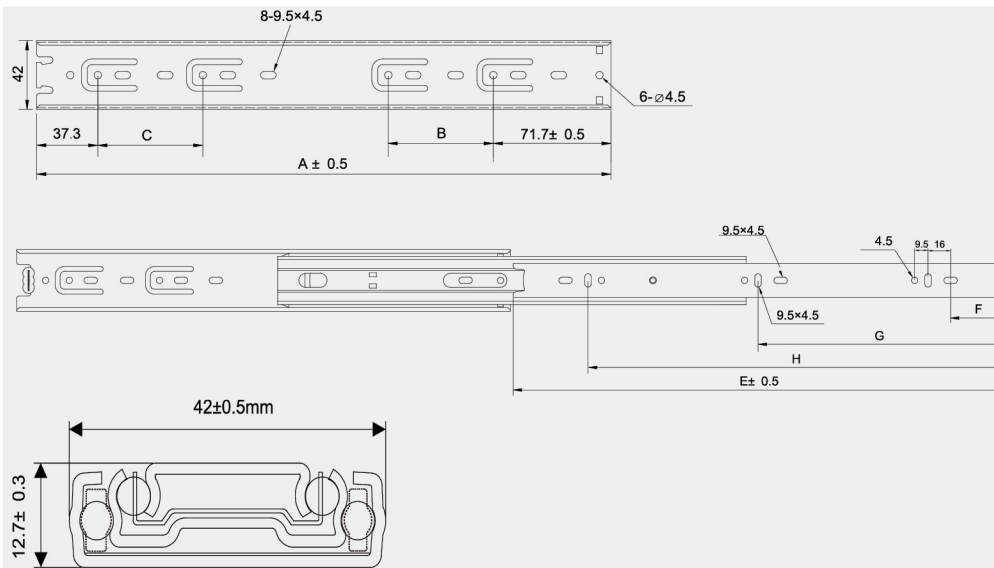
Ball Bearing Slide



#### Technical specifications:

- Width: 42mm
- Size: 10"-24"
- Finish: zinc-plated
- Material: cold-rolled steel
- Thickness Range: 0.8 x 0.8 x 0.8mm  
0.7 x 0.7 x 0.7mm
- Color: zinc, black

#### Installation indication



#### Installation indication

Unit: mm

Model	A	B	C	E	F	G	H
DB4201-250	250	/	64	274	24	123.5	207
DB4201-300	300	/	64	297	37	148.5	244
DB4201-350	350	64	64	347	37	173.5	294
DB4201-400	400	64	64	397	37	198.5	344
DB4201-450	450	64	64	447	37	223.5	394
DB4201-500	500	64	64	497	37	248.5	444
DB4201-550	550	64	64	547	37	273.5	494
DB4201-600	600	64	64	597	37	298.5	544

DB3001

3-Fold ball bearing slide



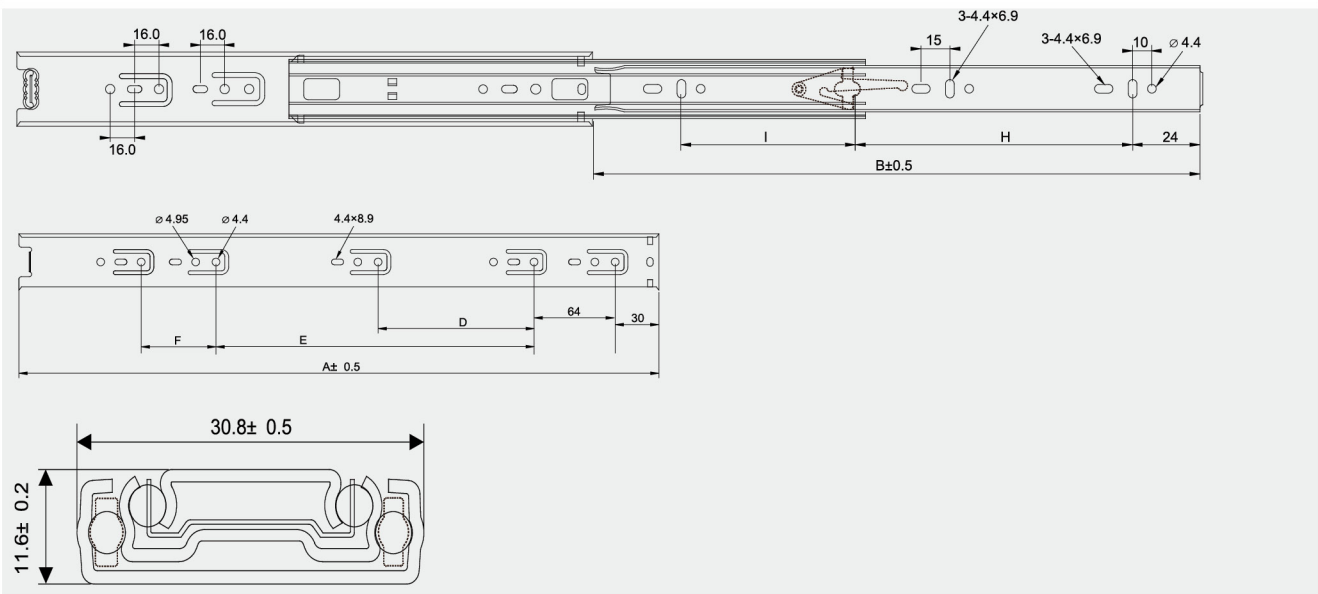
Technical specifications:

- Width: 30mm
- Size: 10"-20"
- Finish: zinc-plated
- Material: cold-rolled steel
- Thickness Range: 0.7 x 0.7 x 0.8mm  
0.6 x 0.6 x 0.6mm  
0.5 x 0.5 x 0.5mm
- Color: zinc, black



Ball Bearing Slide

Installation indication



Installation indication

Unit: mm

Model	A	B	D	E	F	H	I	J
DB3001-250	250	250	/	96	/	96	96	53.5
DB3001-300	300	298	/	64	64	96	128	80
DB3001-350	350	349	/	128	64	128	160	105
DB3001-400	400	400	/	160	64	160	160	127.5
DB3001-450	450	449	96	224	64	160	224	152.7
DB3001-500	500	499	128	288	64	192	224	177

# GENERAL

## DB2701

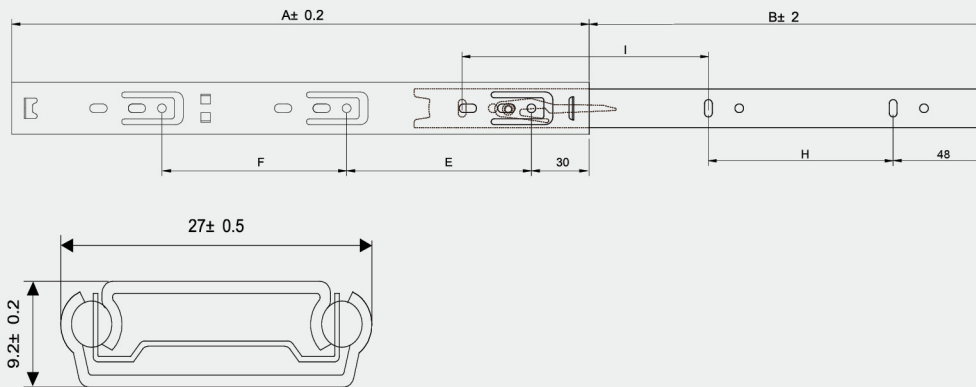
### 2-Fold ball bearing slide



#### Technical specifications:

- Width: 27mm
- Size: 10"-22"
- Finish: zinc-plated
- Material: cold-rolled steel
- Thickness Range: 0.8 x 0.8mm  
0.7 x 0.7mm  
0.5 x 0.5mm

#### Installation indication



#### Installation indication

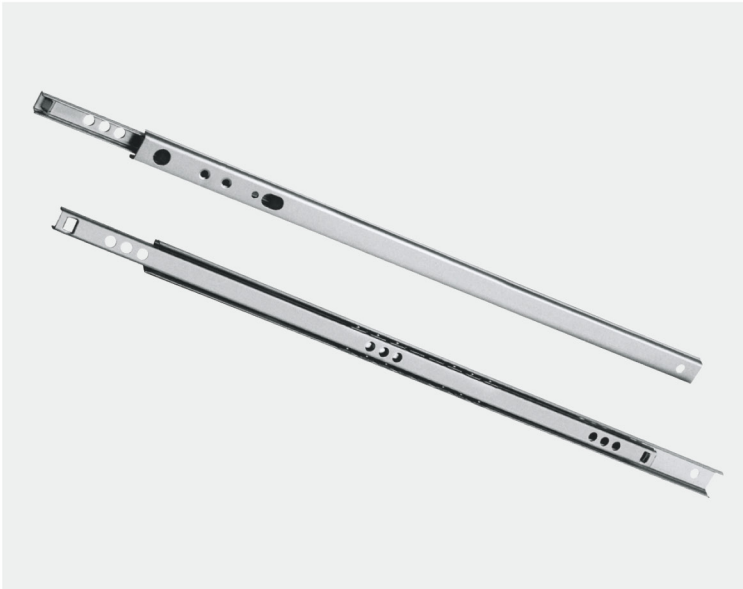
Unit: mm

Model	A	B	E	F	H	I
DB2701-250	250	162	160	/	96	80
DB2701-300	300	210	96	96	96	128
DB2701-350	350	236	128	128	128	128
DB2701-400	400	260	128	160	160	160
DB2701-450	450	285	192	160	160	192
DB2701-500	500	310	192	192	192	224
DB2701-550	550	335	224	224	224	224



DB1701

2-Fold ball bearing slide



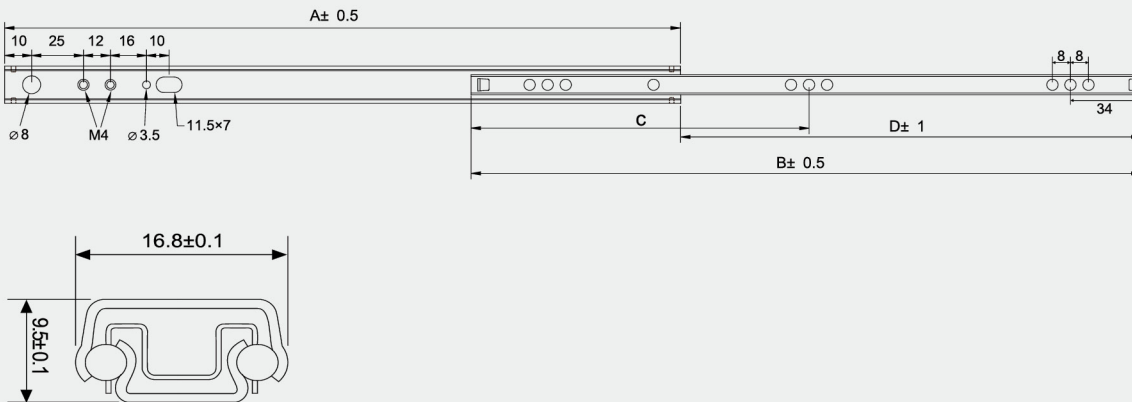
Technical specifications:

- Width: 17mm
- Size: 10"-18"
- Finish: zinc-plated
- Material: cold-rolled steel
- Thickness Range: 0.8 x 0.8mm  
1.0 x 1.0mm



Ball Bearing Slide

Installation indication



Installation indication

Unit: mm

Model	A	B	C	D
DB1701-250	250	250	125	179
DB1701-300	300	300	150	207
DB1701-350	350	350	175	257
DB1701-400	400	400	200	307
DB1701-450	450	450	225	357

# GENERAL

## DB1702

### 2-Fold ball bearing slide



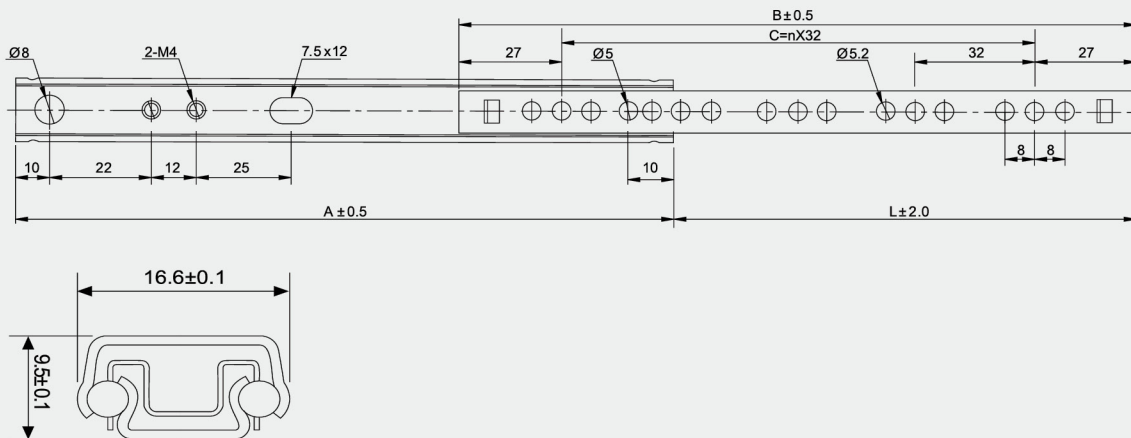
Ball Bearing Slide



#### Technical specifications:

- Width: 17mm
- Size: 182, 241, 246, 278, 310, 342, 374, 438
- Finish: zinc-plated
- Material: cold-rolled steel
- Thickness Range: 0.8 x 0.8mm  
1.0 x 1.0mm

#### Installation indication



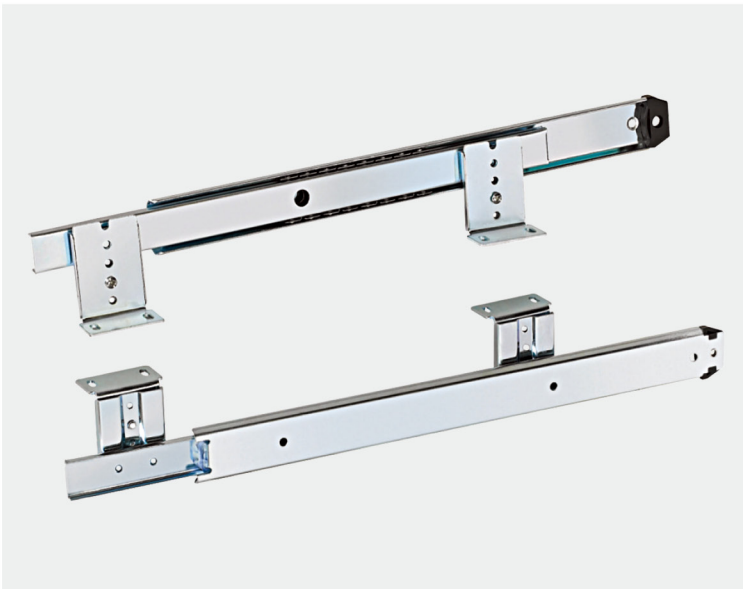
#### Installation indication

Unit: mm

Model	A	B	N	C	L
DB1702-182	182	182	4	128	127
DB1702-214	214	214	5	160	139
DB1702-246	246	246	6	192	171
DB1702-278	278	278	7	224	203
DB1702-310	310	310	8	256	213
DB1702-342	342	342	9	288	245
DB1702-374	374	374	10	320	277
DB1702-438	438	438	12	384	341

## DB3521

2-Fold keyboard ball bearing slide



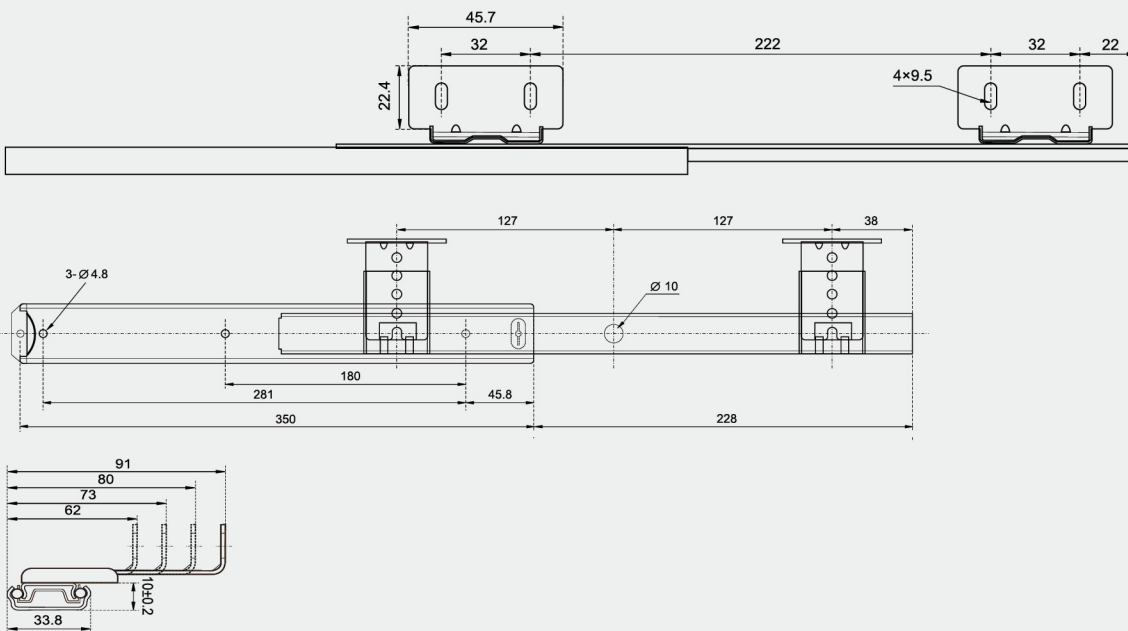
### Technical specifications:

- Width: 35mm
- Size: 14"
- Finish: zinc-plated
- Material: cold-rolled steel
- Thickness Range: 1.0 x 1.0mm



Ball Bearing Slide

### Installation indication



### Installation indication

Unit: mm

Model	Thickness Range	A
DB3521-350	0.7 x 0.7mm	350
DB3521-400	0.9 x 0.9mm	350
DB3521-450	1.0 x 1.0mm	350

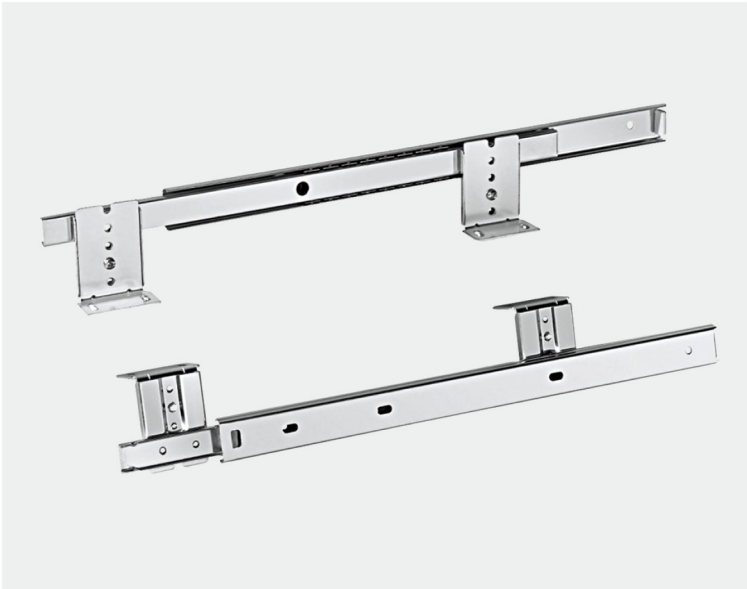
# KEYBOARD Slide

**DB2721**

2-Fold keyboard ball bearing slide



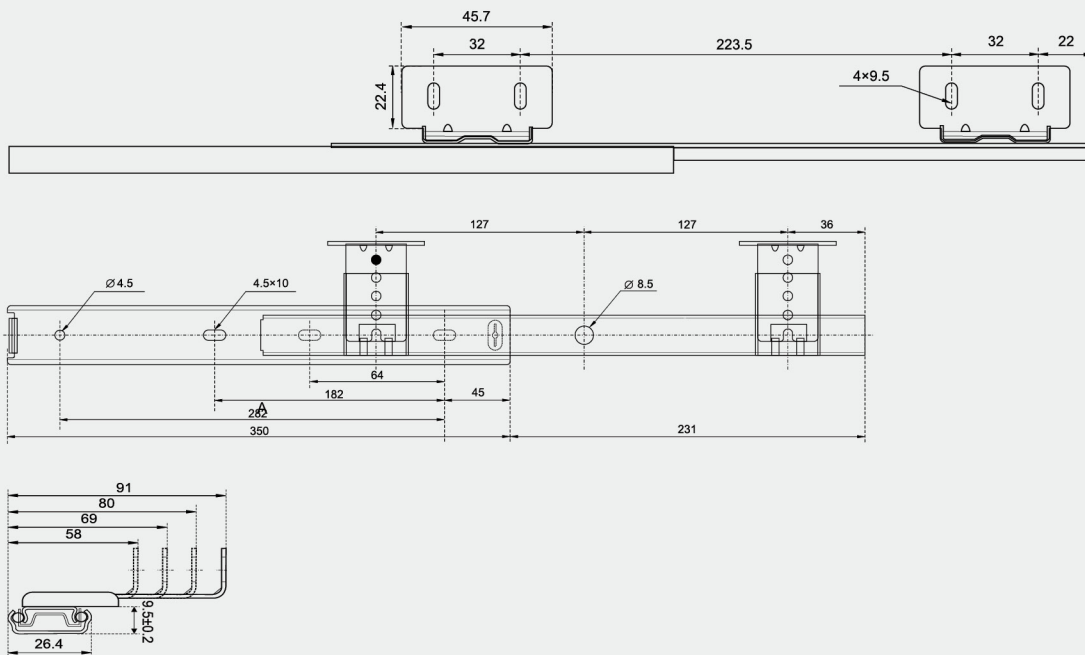
Ball Bearing Slide



## Technical specifications:

- Width: 27mm
- Size: 14"
- Finish: zinc-plated
- Material: cold-rolled steel
- Thickness Range: 0.8 x 0.8mm

## Installation indication



## Installation indication

Unit: mm

Model	Color	Thickness Range	A
DB2721-14"	Zinc Blacke	0.8 x 0.8 mm	350

# KEYBOARD TRAY

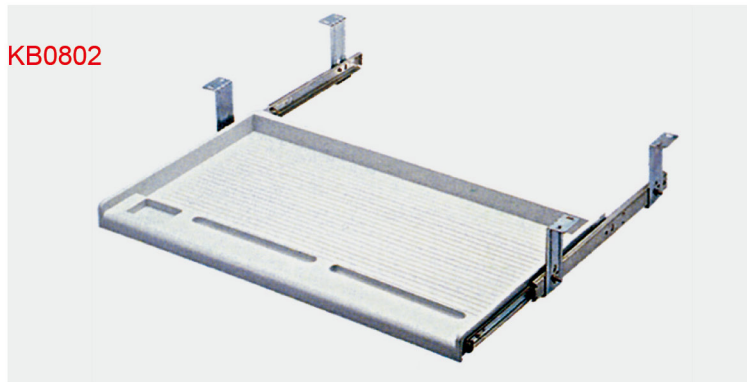
**KB0801/ KB0802/ KB0803**

Keyboard tray



### Technical specifications:

- Slide: DB3521/ DB2721
- Color: White, Black, Brown



### Technical specifications:

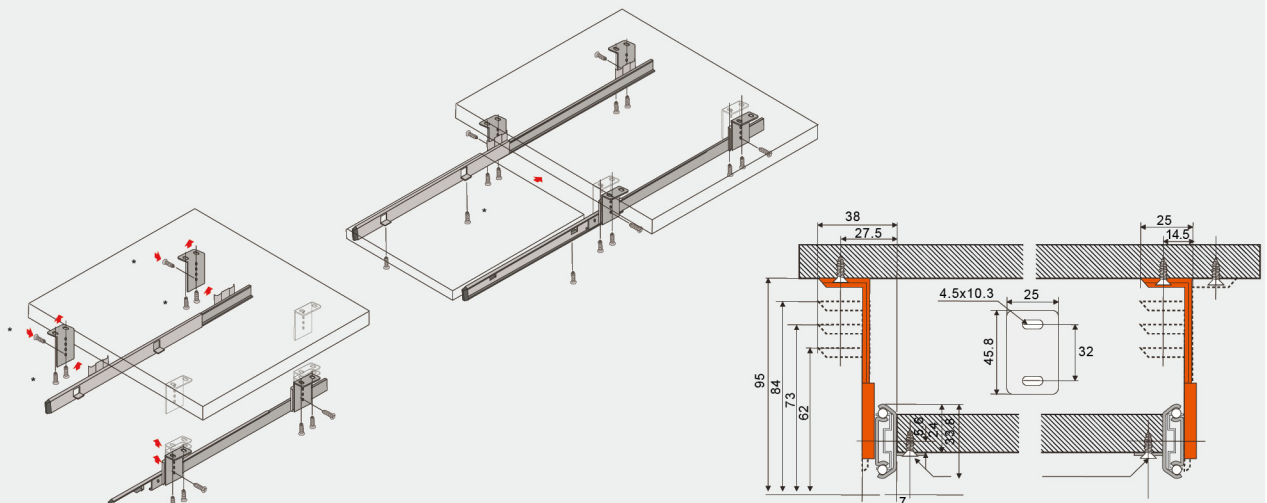
- Slide: DB3521/ DB2721
- Color: White, Black, Brown



### Technical specifications:

- Slide: DB3521/ DB2721
- Color: White, Black, Brown

*The diagram of fixing to the body and to the drawer, matching and installation*





# DRAWER SLIDE

**DS0801**

FGV type drawer slide



Ball Bearing Slide

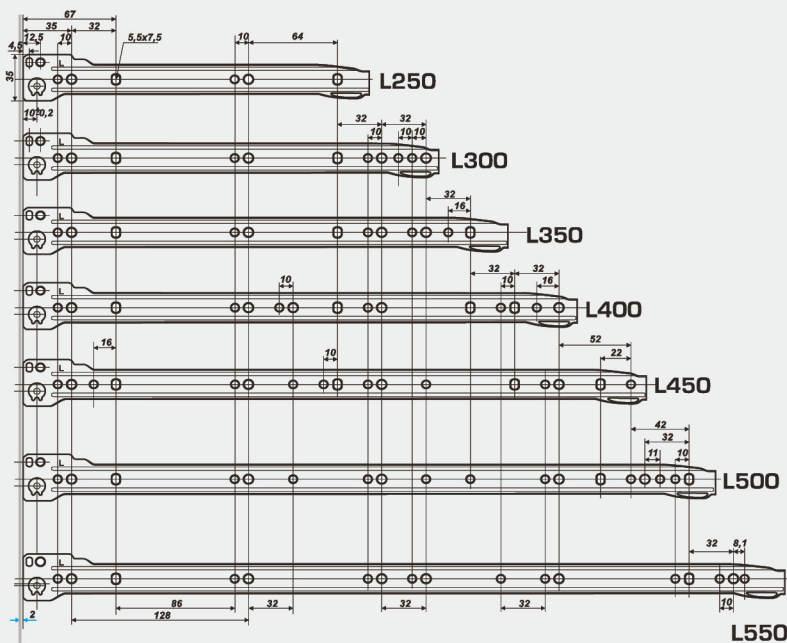


## Technical specifications:

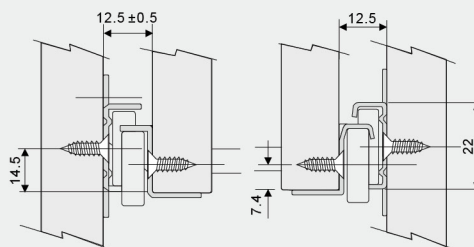
- Size: 10"-24"
- Thickness: 0.8mm/ 0.9mm/ 1.0mm/ 1.1mm/ 1.2mm
- Color: pure white, milk white, grey, black, brown

## Installation indication

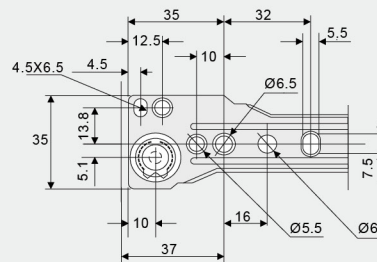
Fastening position for cabinet member



Installation measurement



Drilling pattern for cabinet member



Slide wheel



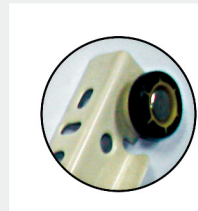
A: Common wheel(ABS)



B: Common wheel(POM)



D: Silence noise wheel(ABS)



E: Silence noise wheel(HBTE)

**DS0802**

Drawer slide

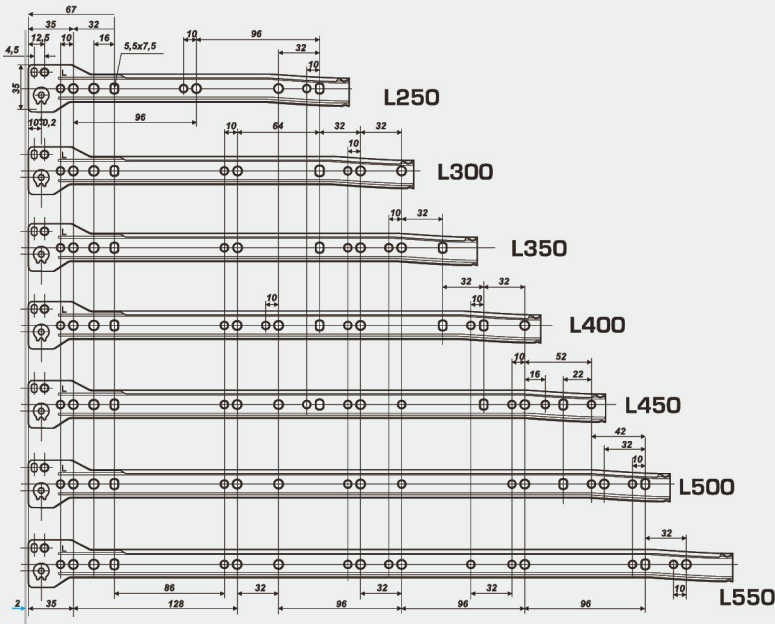


### Technical specifications:

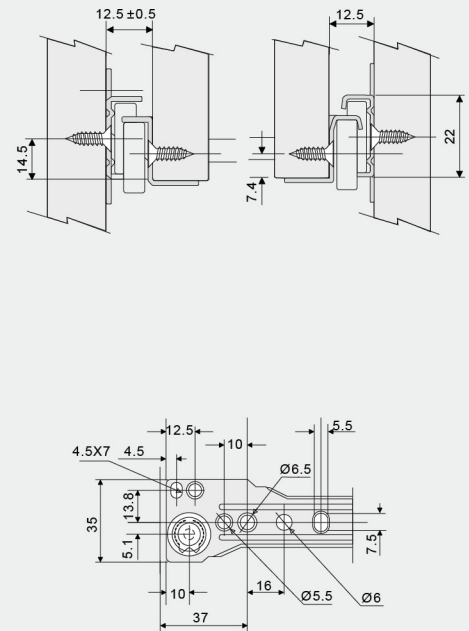
- Size: 10"-24"
- Thickness: 0.8mm/ 0.9mm/ 1.0mm/ 1.1mm/ 1.2mm
- Color: pure white, milk white, grey, black, brown

### Installation indication

Fastening position for cabinet member



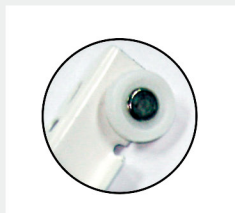
Installation measurement



Slide wheel



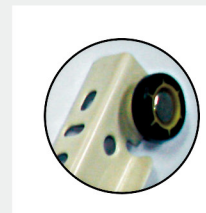
A: Common wheel (ABS)



B: Common wheel (POM)



D: Silence noise wheel (ABS)



E: Silence noise wheel (HBTE)

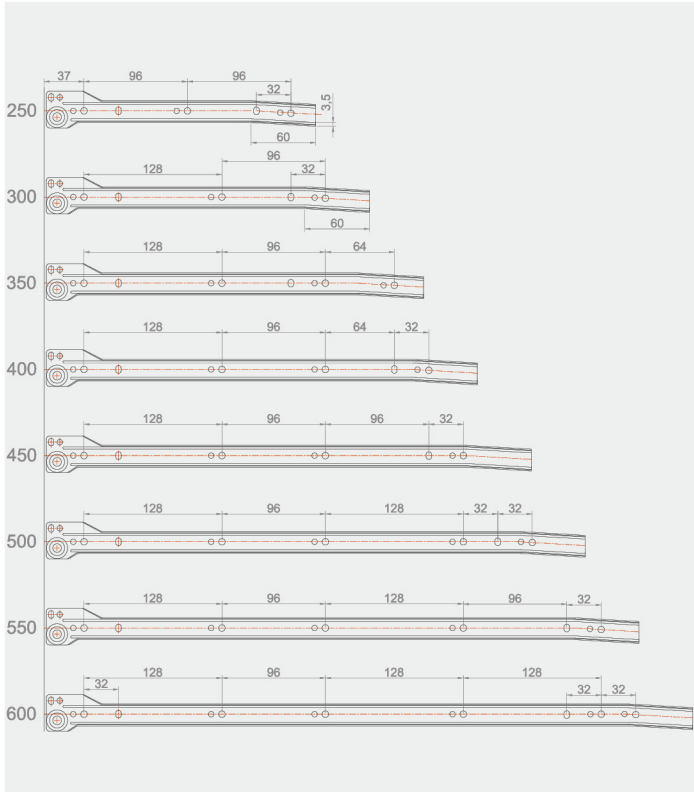


# DRAWER SLIDE

## DS03

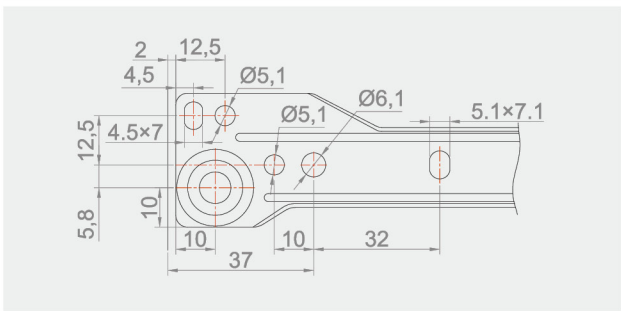
### American style drawer slide

Ball Bearing Slide

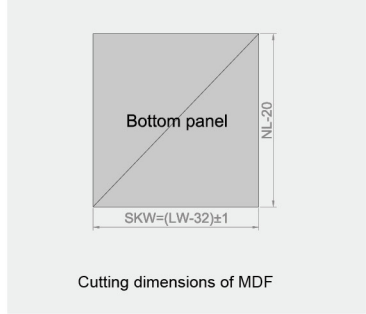
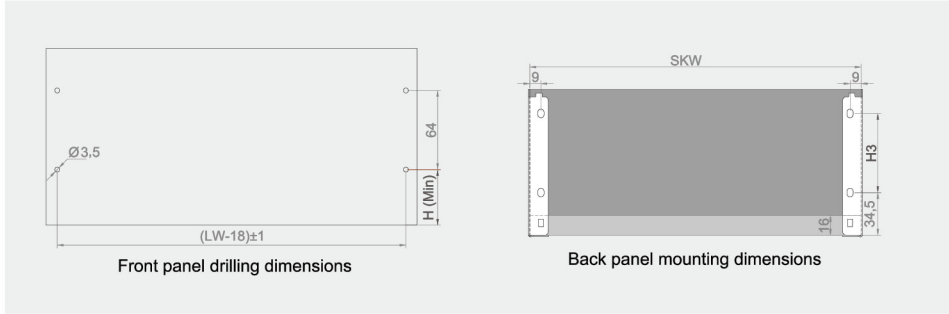
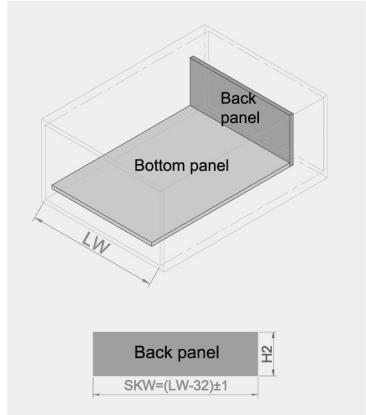
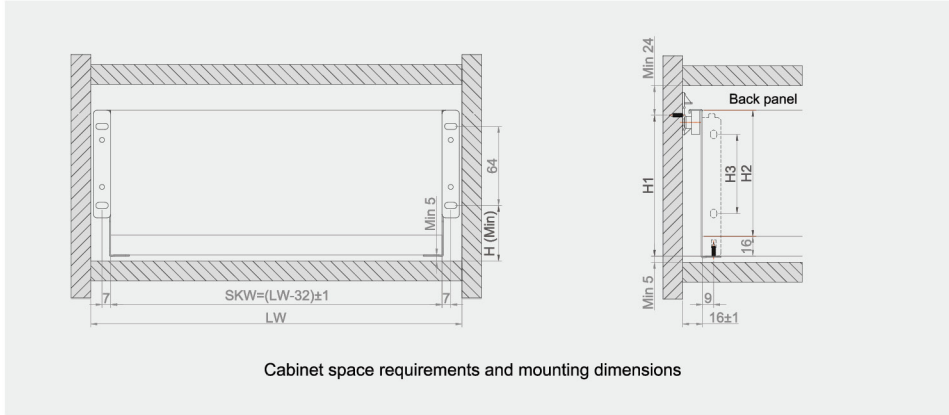


#### Technical specifications:

- Panel height: 86mm / 118mm / 150mm / 54mm
- Self-closing feature with 60mm closing range
- Parallel closing action over 20mm
- Optional fitting method by using with dowels
- Up and down height adjustment by 2mm
- Thickness: 1.1mm / 1.2mm or as required
- Color: white, black, brown, grey
- Wheel: white roller



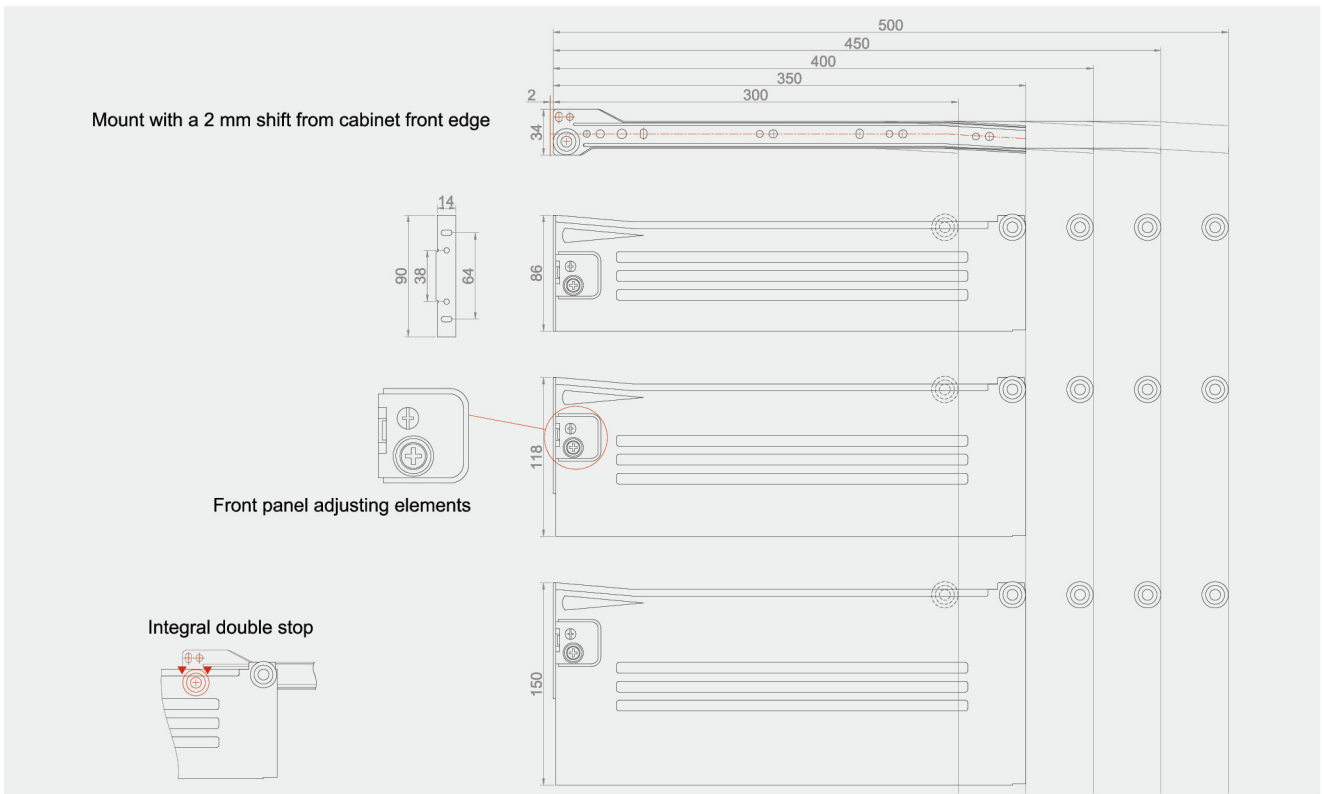
### Installation parameter



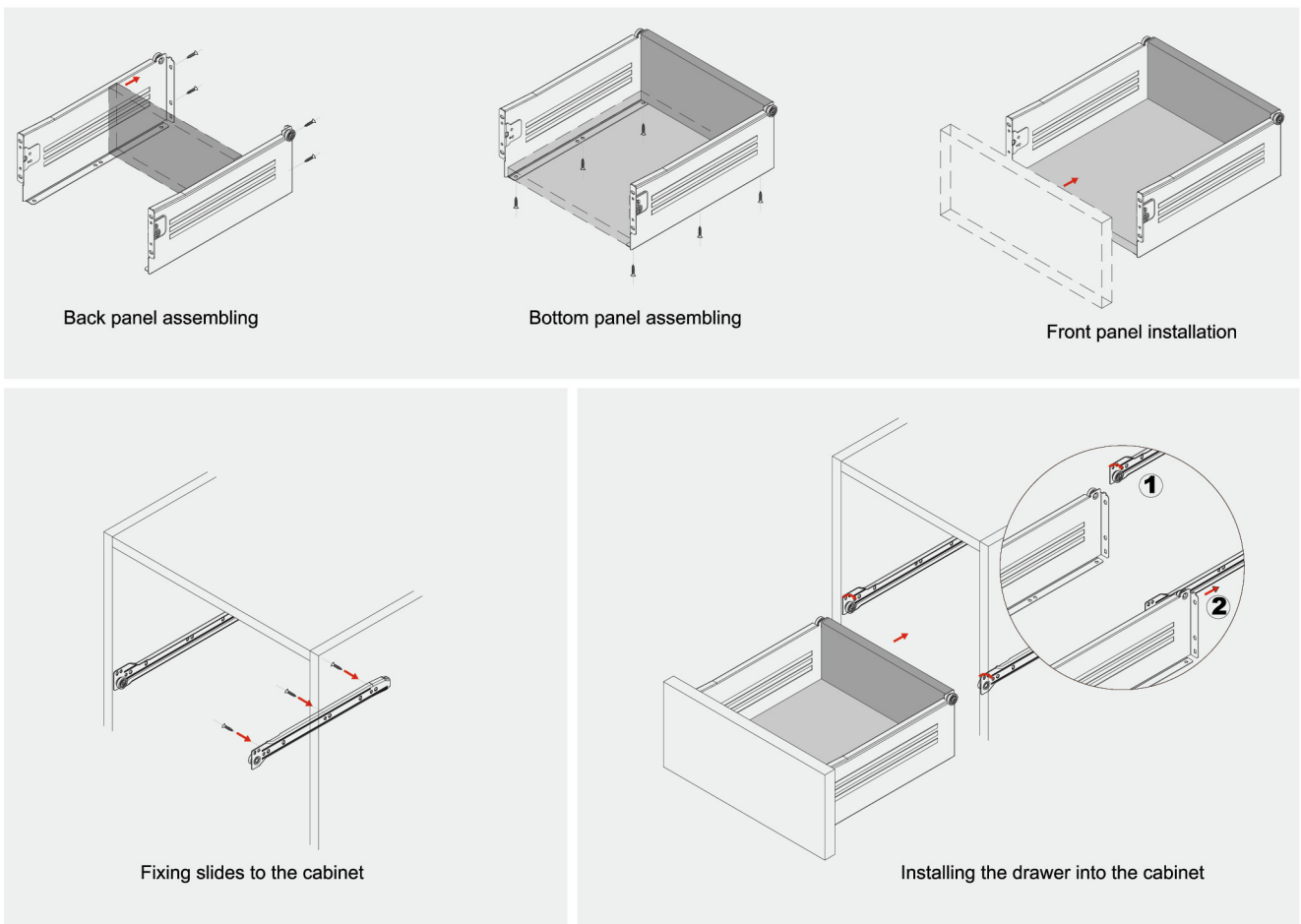
LW - Cabinet inner width  
 SKW - Bottom and back panel width  
 NL - Normal length

Size	H (Min)	H1	H2	H3
86 mm	13	82	72	32
118 mm	45	114	104	64
150 mm	77	146	136	96

**American style drawer slide**



**The diagram of fixing to the cabinet and to the drawer, matching and installation**



Ball Bearing Slide